



# VINTAGE PRESSURE BALANCE SHOWER SYSTEM WITH DUAL SHOWER HEADS LEVER HANDLE

## SPECIFICATIONS

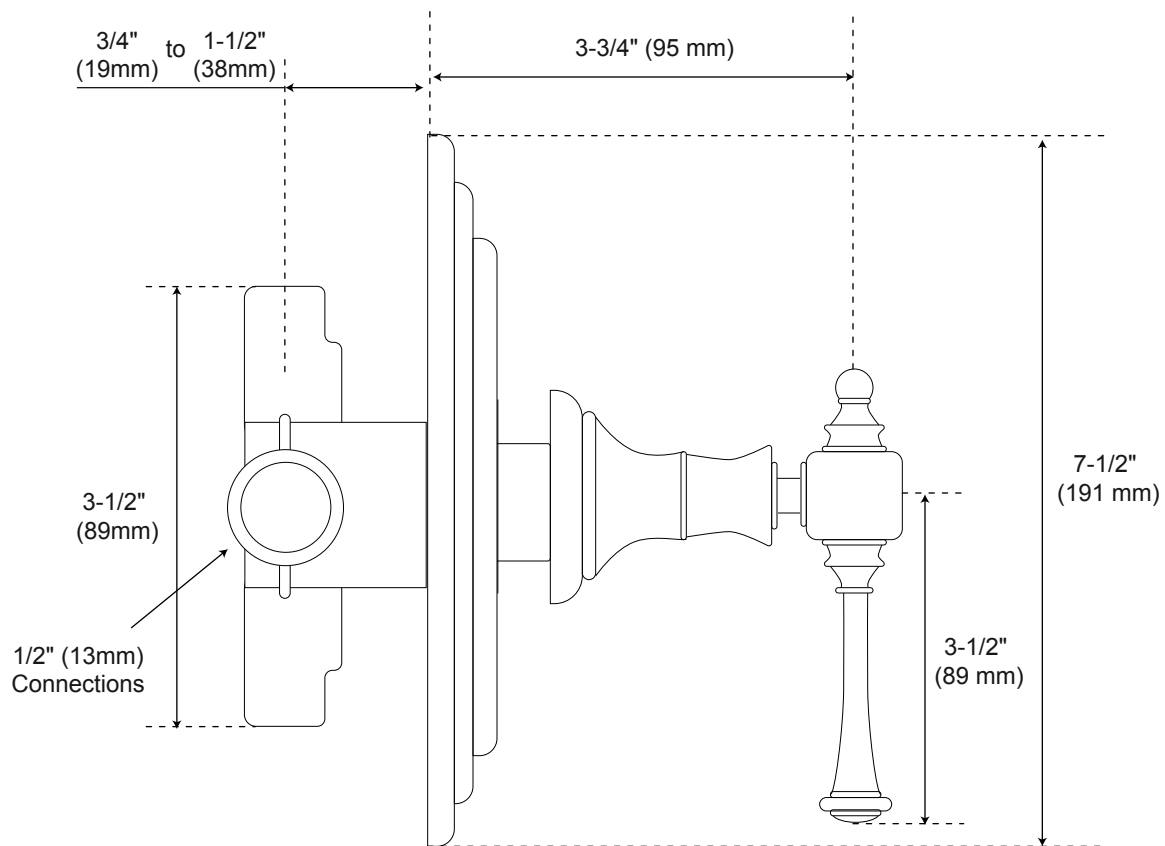
### CONTENTS

Shower Valve.....	2
Diverter.....	3
Wall Shower Head.....	4
Overhead Shower Head.....	5



# Shower Valve

Side

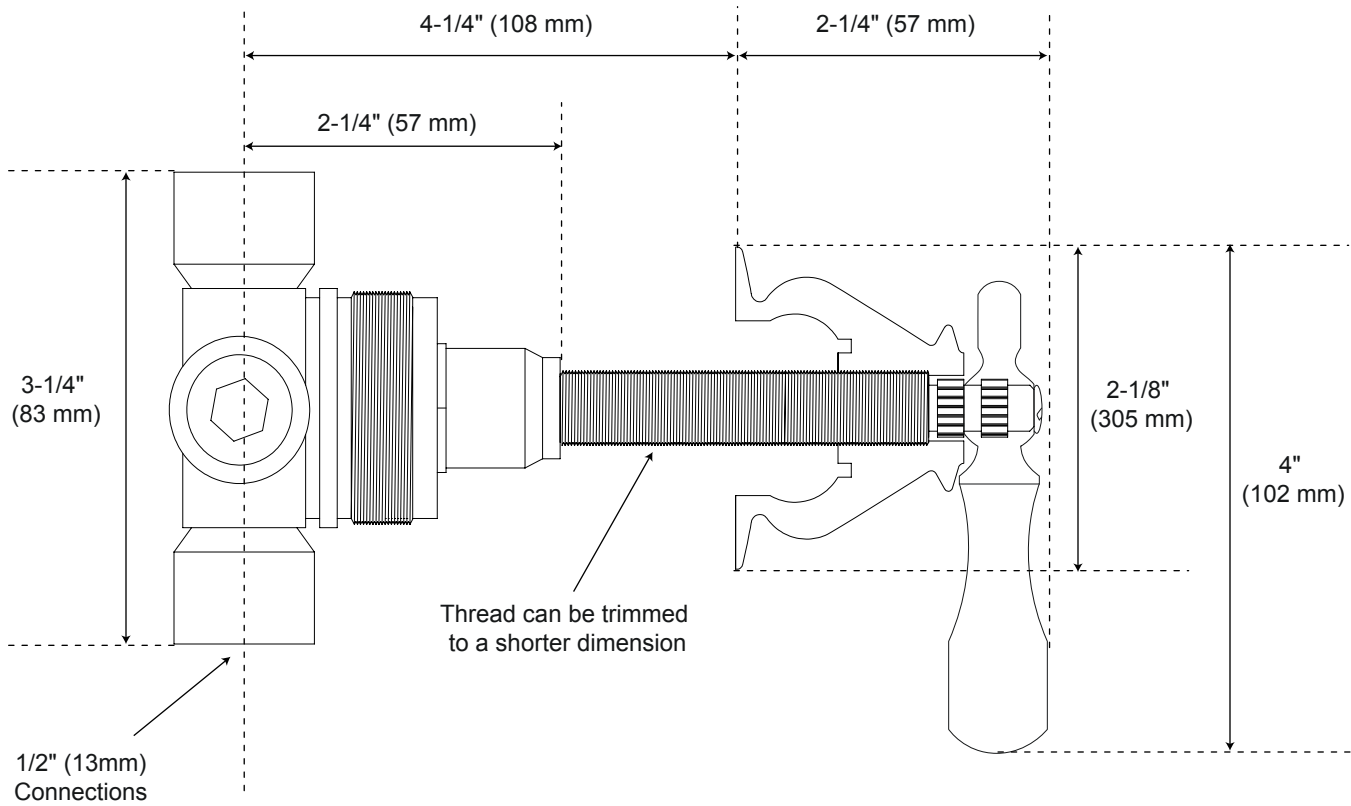


All product dimensions are nominal.



# Diverter

Side

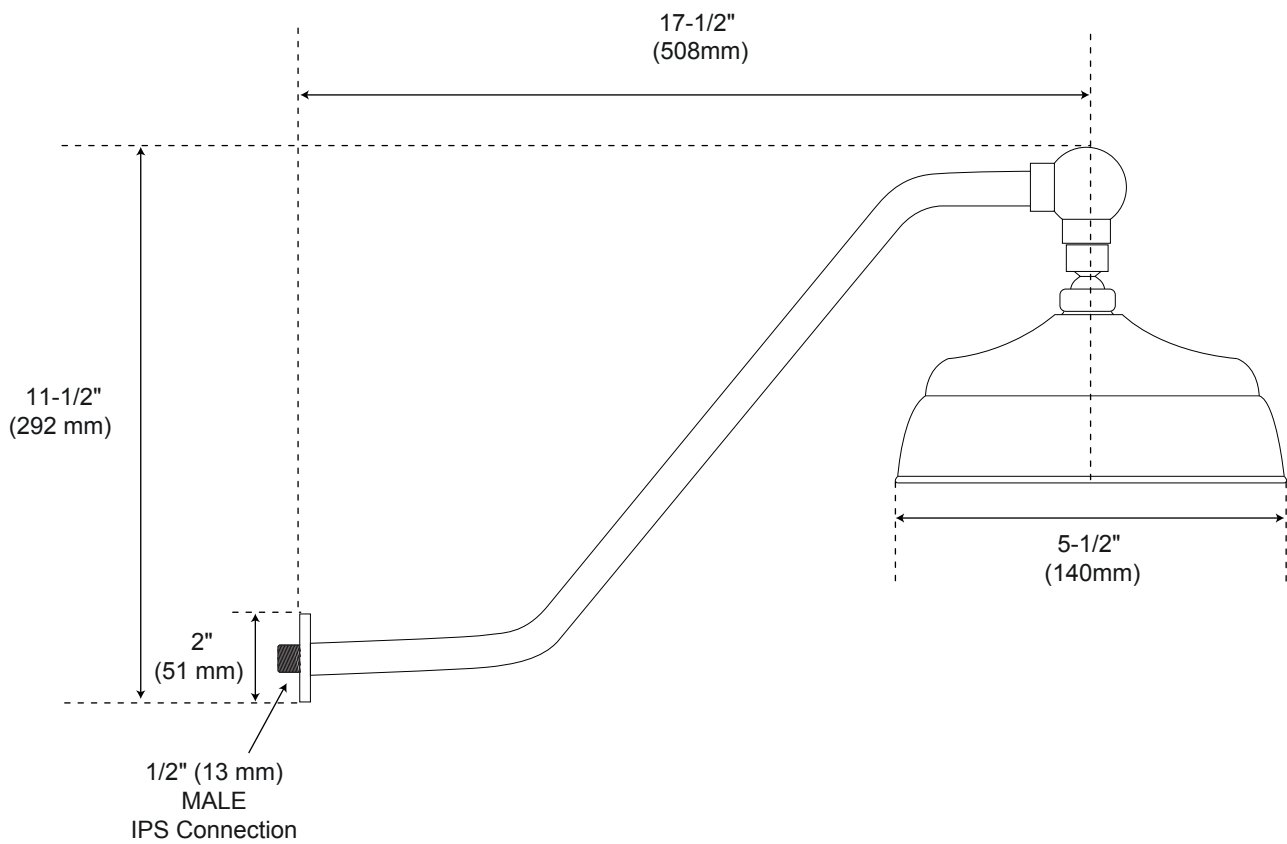


All product dimensions are nominal.



# Wall Shower Head

Side

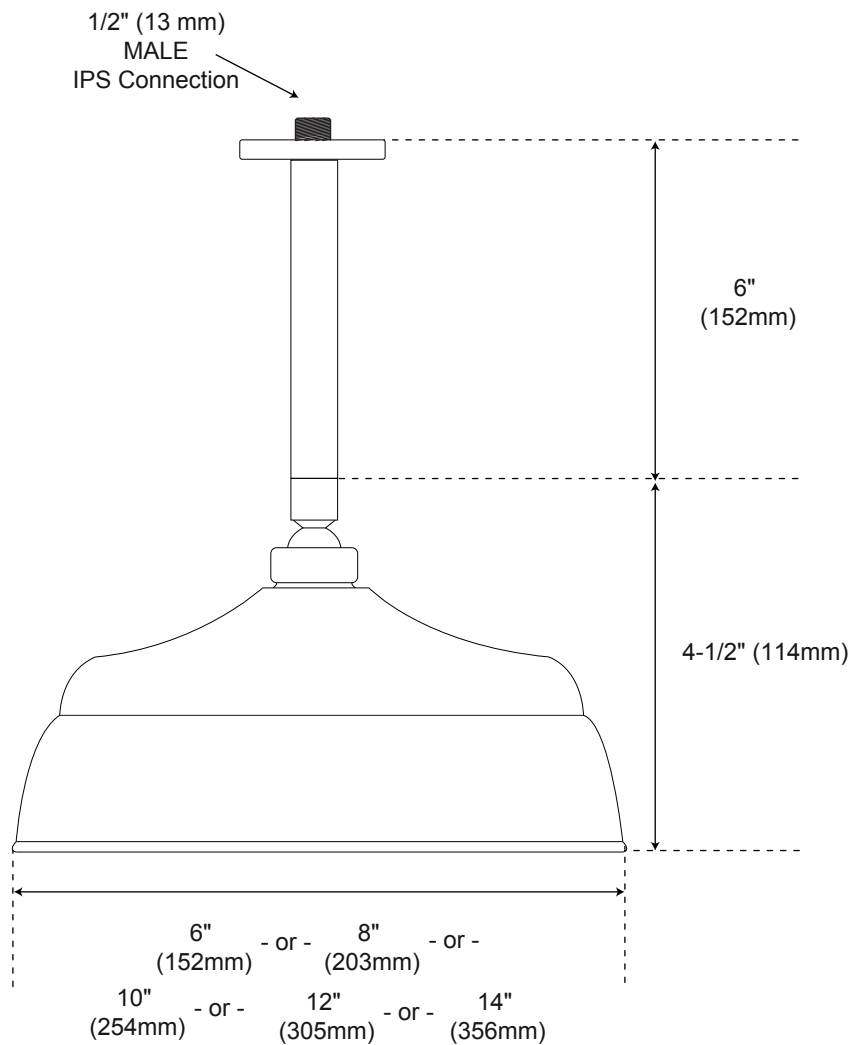


All product dimensions are nominal.

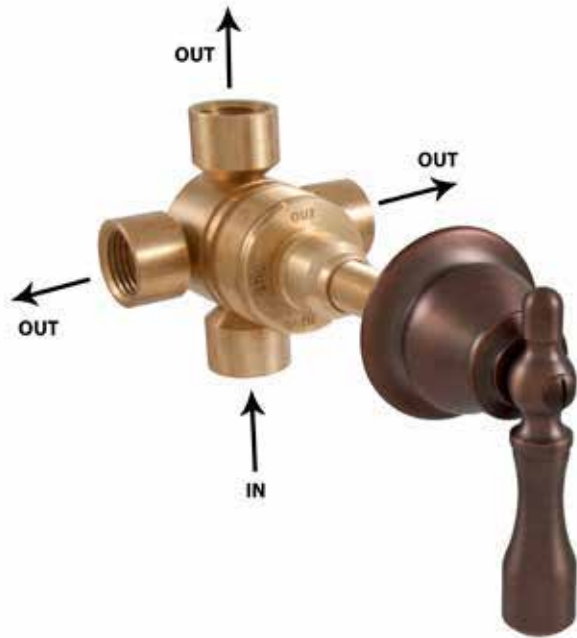


# Overhead Shower Head

Side



All product dimensions are nominal.



All product dimensions are nominal.