



BOSTONIAN CEILING-MOUNT RAINFALL NOZZLE SHOWER SET CLASSIC LEVER HANDLE

SPECIFICATIONS

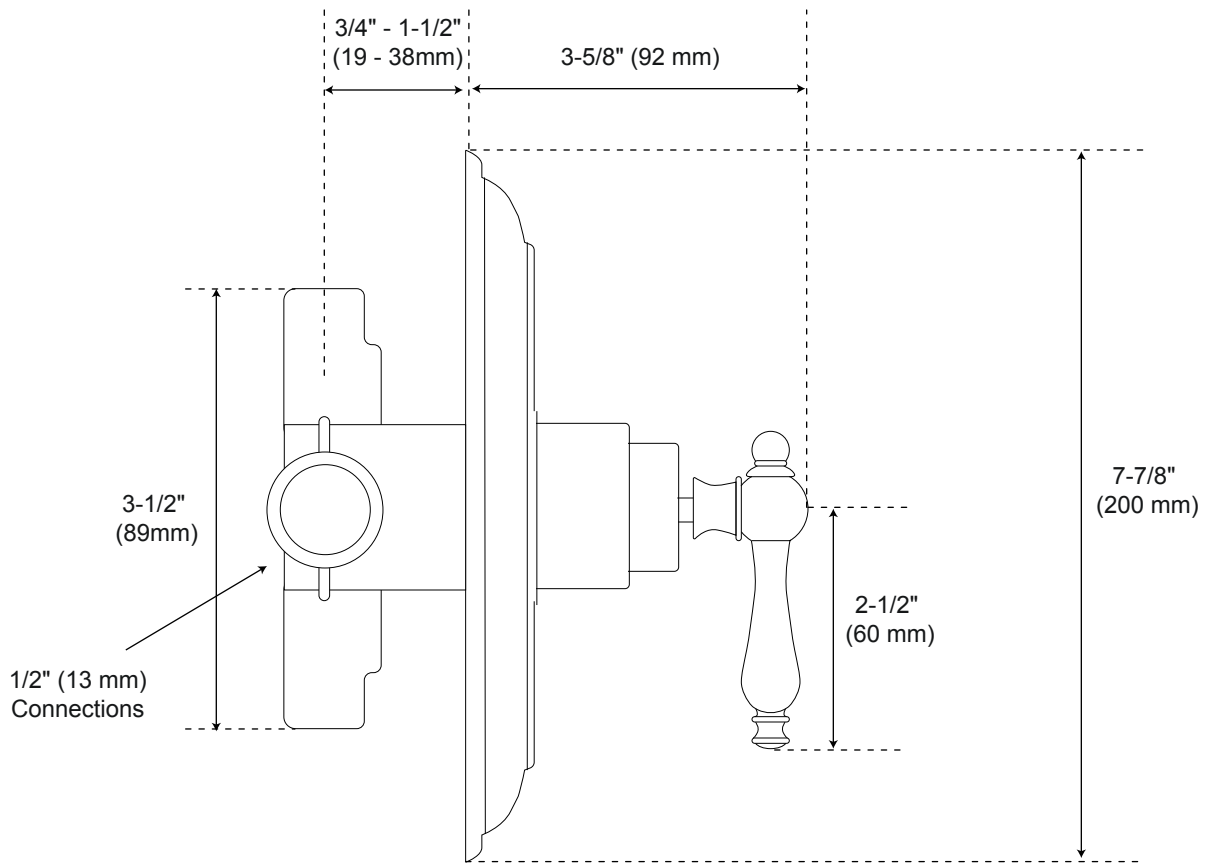
CONTENTS

| | |
|----------------------------------|----------|
| Shower Valve..... | 2 |
| Overhead Shower Head..... | 3 |



Shower Valve

Side

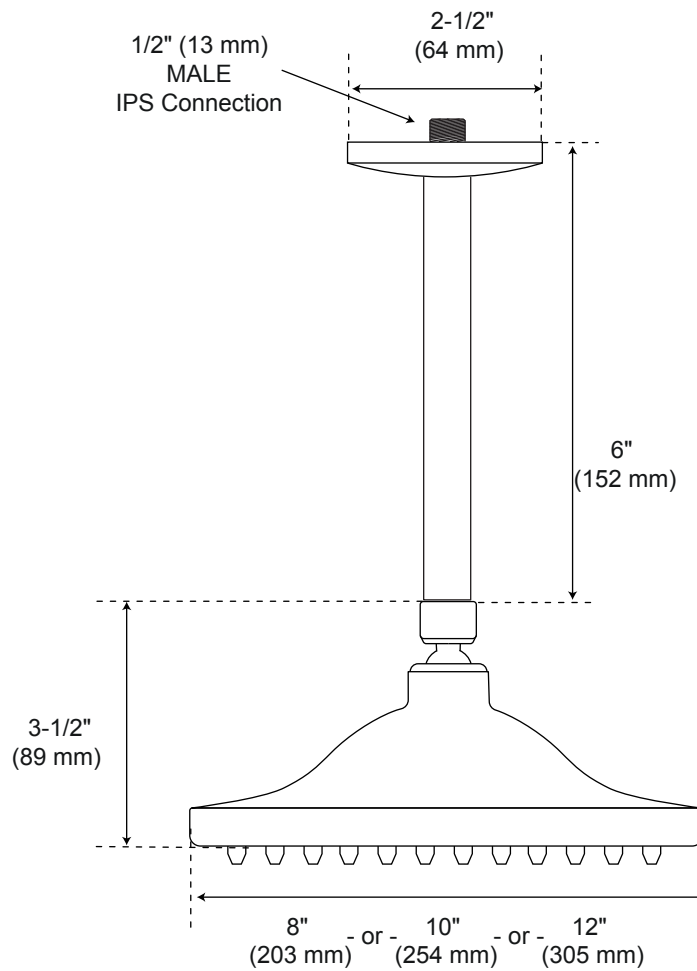


All product dimensions are nominal.



Overhead Shower Head

Side

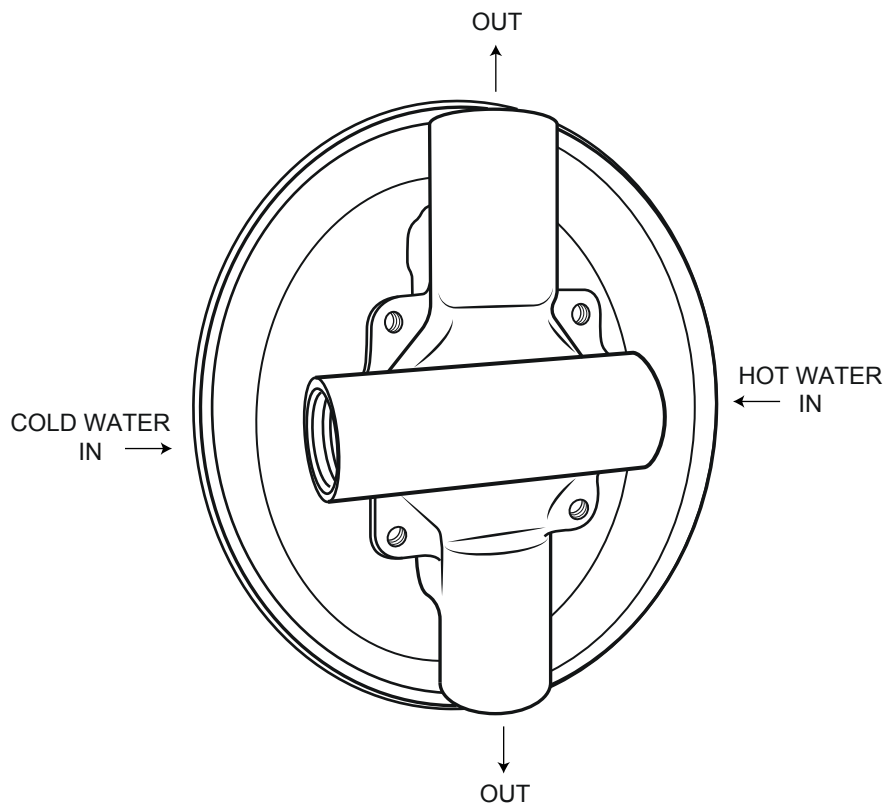


All product dimensions are nominal.



Diverter

(back)



All product dimensions are nominal.