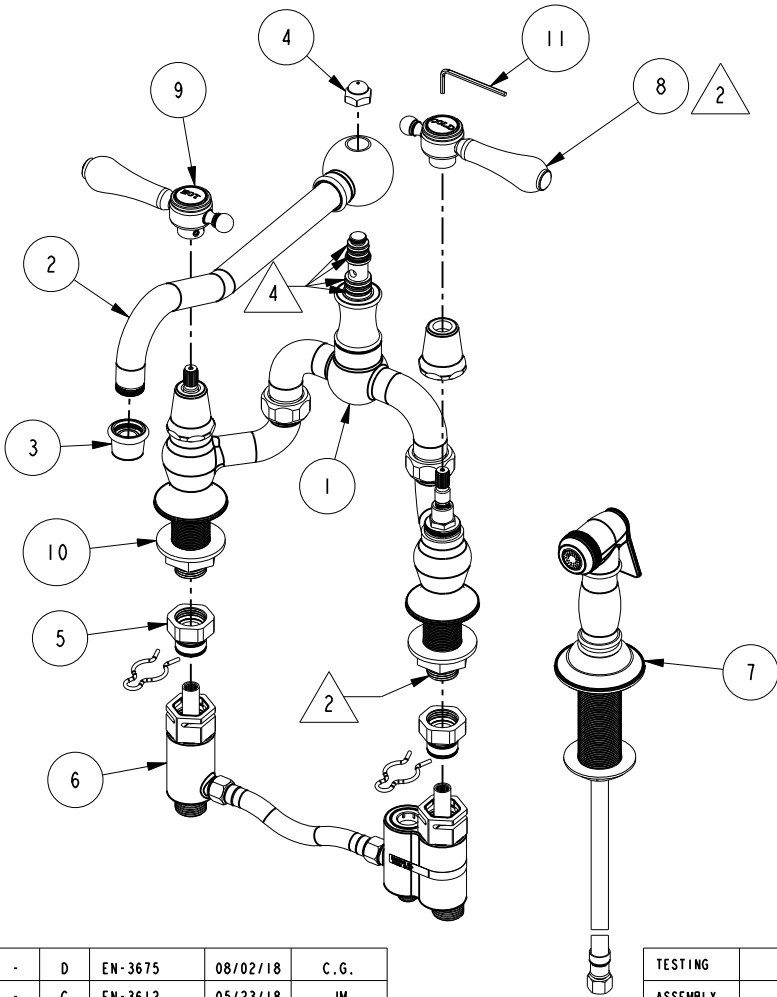


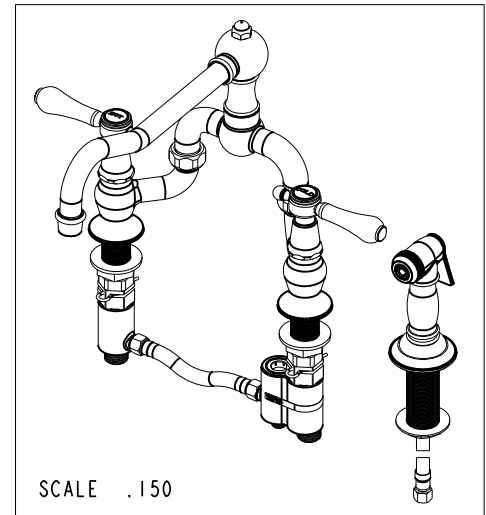
NOTES:

- (N1) 1. FIT / FORM / FUNCTION SHALL FOLLOW PS-E.008.
- (N2) 2. COLD HANDLE ASSY (ITEM 11) AND BLUE DYKEM LEG OF BRIDGE BODY ASSY (ITEM 1) ARE LOCATED ON THE SAME SIDE.
- 3. APPLY LOCTITE 242 IF SCREW DOES NOT HAVE NYLON PATCH.
- 4. APPLY THIN COAT OF SILICON GREASE ON O-RINGS.



BILL OF MATERIAL (CURRENT LEVEL)

ITEM	PT/ASSY	DESCRIPTION	TYPE	QTY.
1	3-290	BRIDGE BODY ASSY, SIDE SPRAY	ASSEMBLY	1
2	2-401	SPT ASM KITCHEN BRIDGE	ASSEMBLY	1
3	2-399	AERATOR ASM BRIDGE	ASSEMBLY	1
4	11066	RISER NUT	PART	1
5	1-152	SEAT ASSY, UPPER	ASSEMBLY	2
6	2-472	DIVERTER ASSY, BRIDGE FAUCET	ASSEMBLY	1
7	129	KITCHEN SPRAY HEAD	ASSEMBLY	1
8	2-133	HANDLE ASSEMBLY - COLD	ASSEMBLY	1
9	2-134	HANDLE ASSEMBLY - HOT	ASSEMBLY	1
10	91473	FLANGE NUT 1.006"-20	PART	2
11	10159	HEX KEY, 3/32 ALLOY STEEL	PART	1



ZONE	REV	DESCRIPTION	DATE	APPROVED
-	D	EN-3675	08/02/18	C.G.
-	C	EN-3612	05/23/18	JM
-	B	EN-2909	06/19/17	AN
-	A	EO-0449	11/11/04	-
-	-	EO-0435	10/06/04	-

COPYRIGHT 2005 BRASSTECH, INC. THESE DRAWINGS AND THE DESIGNS DEPICTED HEREIN ARE THE PROPRIETARY PROPERTY OF BRASSTECH. ANY USE OR REPRODUCTION IS SUBJECT TO THE EXPRESS APPROVAL OF BRASSTECH. UNAUTHORIZED USE IS STRICTLY PROHIBITED. ALL RIGHTS RESERVED.

TESTING	ASSEMBLY	PLATING	POLISHING	MACHINING	TOOLING FIXTURE #
-	-	-	-	-	-
-	-	-	-	-	-
-	-	-	-	-	-
-	-	-	-	-	-
-	-	-	-	-	-
-	-	-	-	-	-
-	-	-	-	-	-
-	-	-	-	-	-
-	-	-	-	-	-

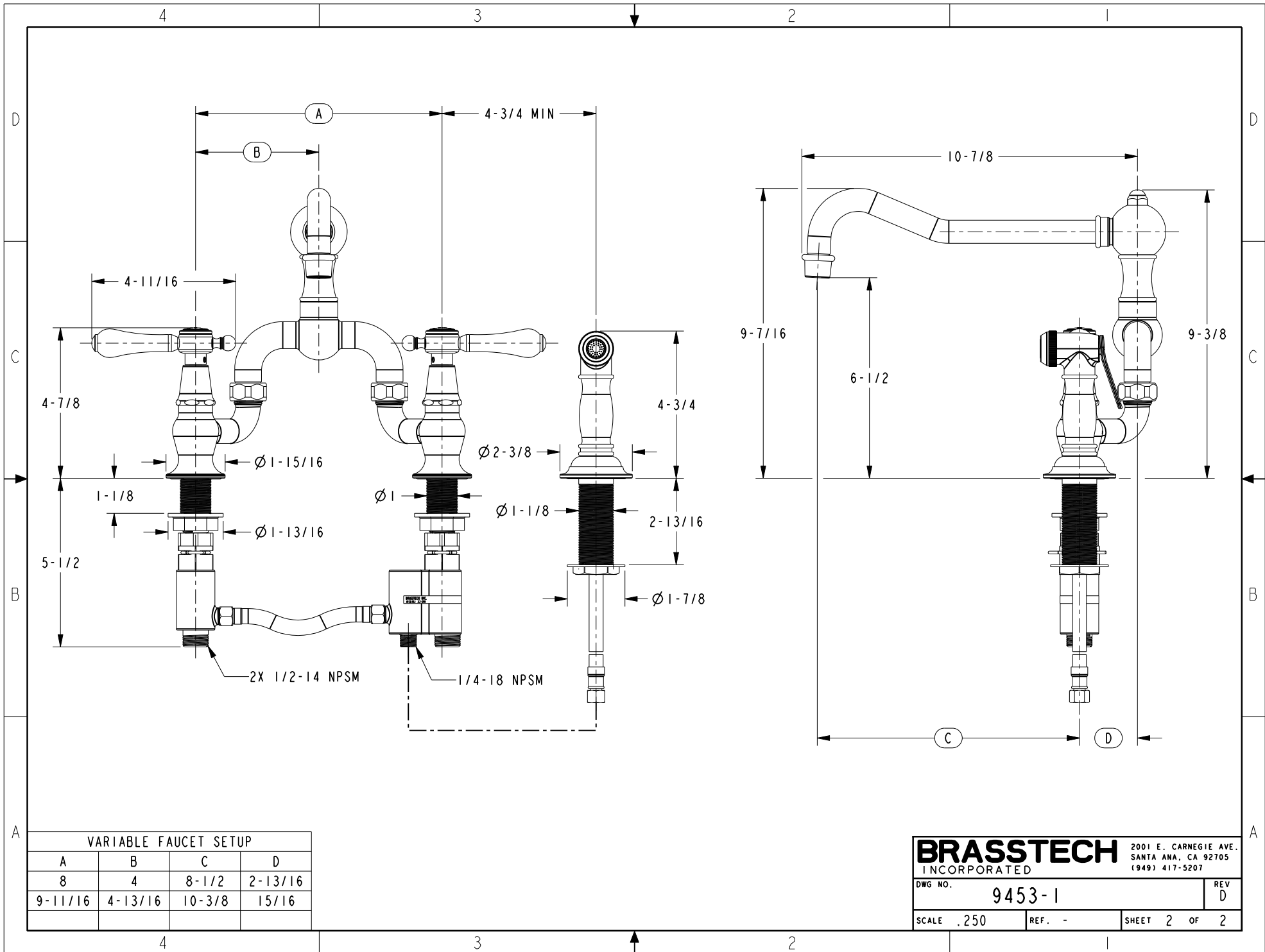
UNITS ARE: INCHES [MM]	
TOLERANCES ARE:	
FRACTIONS	DECIMALS
±1/16"	.X ±.1 [2.5]
	.XX ±.06 [1.5]
(X.XXX) DENOTES CRITICAL DIMS. ALL THREADS ARE CRITICAL	
DRAWN	AN 05/23/17
CHECKED	AN 05/23/17
APPROVED	AN 05/23/17
APPLICATION	
REMOVE ALL BURRS AND SHARP EDGES	

BRASSTECH INCORPORATED
 2001 CARNEGIE AVE.
 SANTA ANA, CA 92705
 (949) 417-5207

**KITCHEN BRIDGE FAUCET W/
 SIDE SPRAY**

DWG NO. **9453-1** REV D

SCALE .200 REF. - SHEET 1 OF 2



VARIABLE FAUCET SETUP			
A	B	C	D
8	4	8-1/2	2-13/16
9-11/16	4-13/16	10-3/8	15/16

BRASSTECH 2001 E. CARNEGIE AVE.
INCORPORATED SANTA ANA, CA 92705
(949) 417-5207

DWG NO. 9453-1 REV D

SCALE .250 REF. - SHEET 2 OF 2