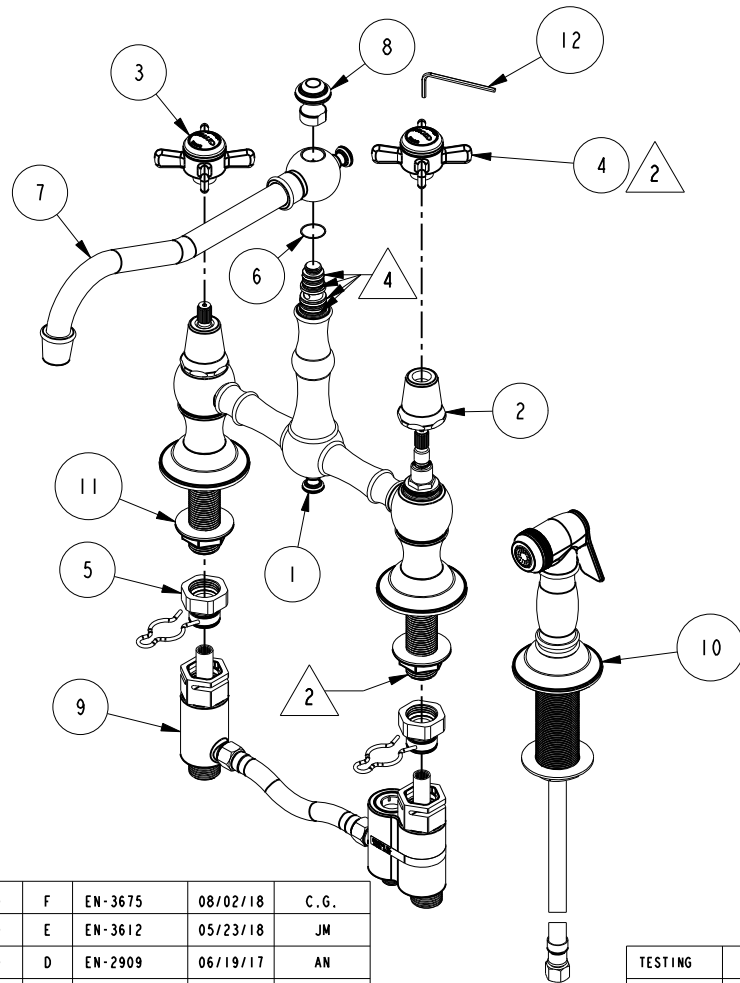


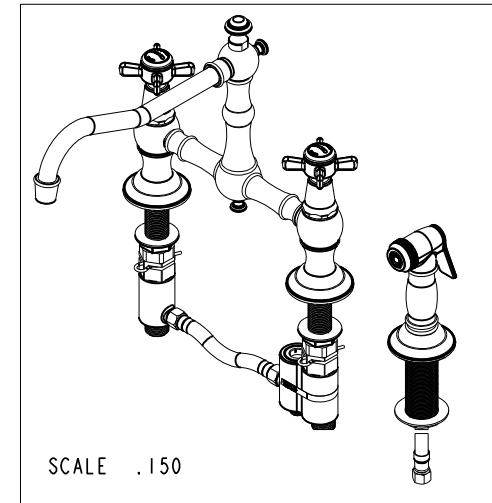
NOTES:

- (N1) 1. FIT / FORM / FUNCTION SHALL FOLLOW PS-E.008.
- (N2) 2. COLD HANDLE ASSY (ITEM 6) AND BLUE DYKEM LEG OF BRIDGE BODY ASSY (ITEM 1) ARE LOCATED ON THE SAME SIDE.
- 3. APPLY LOCTITE 242 IF SCREW DOES NOT HAVE NYLON PATCH.
- 4. APPLY THIN COAT OF SILICON GREASE ON O-RINGS.



BILL OF MATERIAL (CURRENT LEVEL)

ITEM	PT/ASSY	DESCRIPTION	TYPE	QTY.
1	3-300	KITCHEN BRIDGE BODY ASM W/ SPRAY	ASSEMBLY	1
2	12259	HANDLE BONNET - TUB FILLER	PART	2
3	2-114	THIN BLADE X - HANDLE HOT	ASSEMBLY	1
4	2-115	THIN BLADE X - HANDLE COLD	ASSEMBLY	1
5	1-152	SEAT ASSY, UPPER	ASSEMBLY	2
6	91012	WSHR, .595 ID X .656 OD X .01 THK, FLT	PART	1
7	3-299	KITCHEN SPOUT ASSY	ASSEMBLY	1
8	10318	FINIAL, NUT	PART	1
9	2-472	DIVERTER ASSY, BRIDGE FAUCET	ASSEMBLY	1
10	129	KITCHEN SPRAY HEAD	ASSEMBLY	1
11	91061	FLANGE NUT 1/2-14 NPSM	PART	2
12	10159	HEX KEY, 3/32 ALLOY STEEL	PART	1



-	F	EN-3675	08/02/18	C.G.
-	E	EN-3612	05/23/18	JM
-	D	EN-2909	06/19/17	AN
-	C	EN-1919a	08/12/14	VV
-	B	EO-0514	06/02/05	-
-	A	EO-0449	11/11/04	-
-	-	EO-0433	10/06/04	-
ZONE	REV	DESCRIPTION	DATE	APPROVED

COPYRIGHT 2005 BRASSTECH, INC. THESE DRAWINGS AND THE DESIGNS DEPICTED HEREIN ARE THE PROPRIETARY PROPERTY OF BRASSTECH. ANY USE OR REPRODUCTION IS SUBJECT TO THE EXPRESS APPROVAL OF BRASSTECH. UNAUTHORIZED USE IS STRICTLY PROHIBITED. ALL RIGHTS RESERVED.

TESTING	-	-	-
ASSEMBLY	-	-	-
PLATING	-	-	-
POLISHING	-	NEXT ASSY	USED ON
MACHINING	-	APPLICATION	
TOOLING FIXTURE #	REMOVE ALL BURRS AND SHARP EDGES		

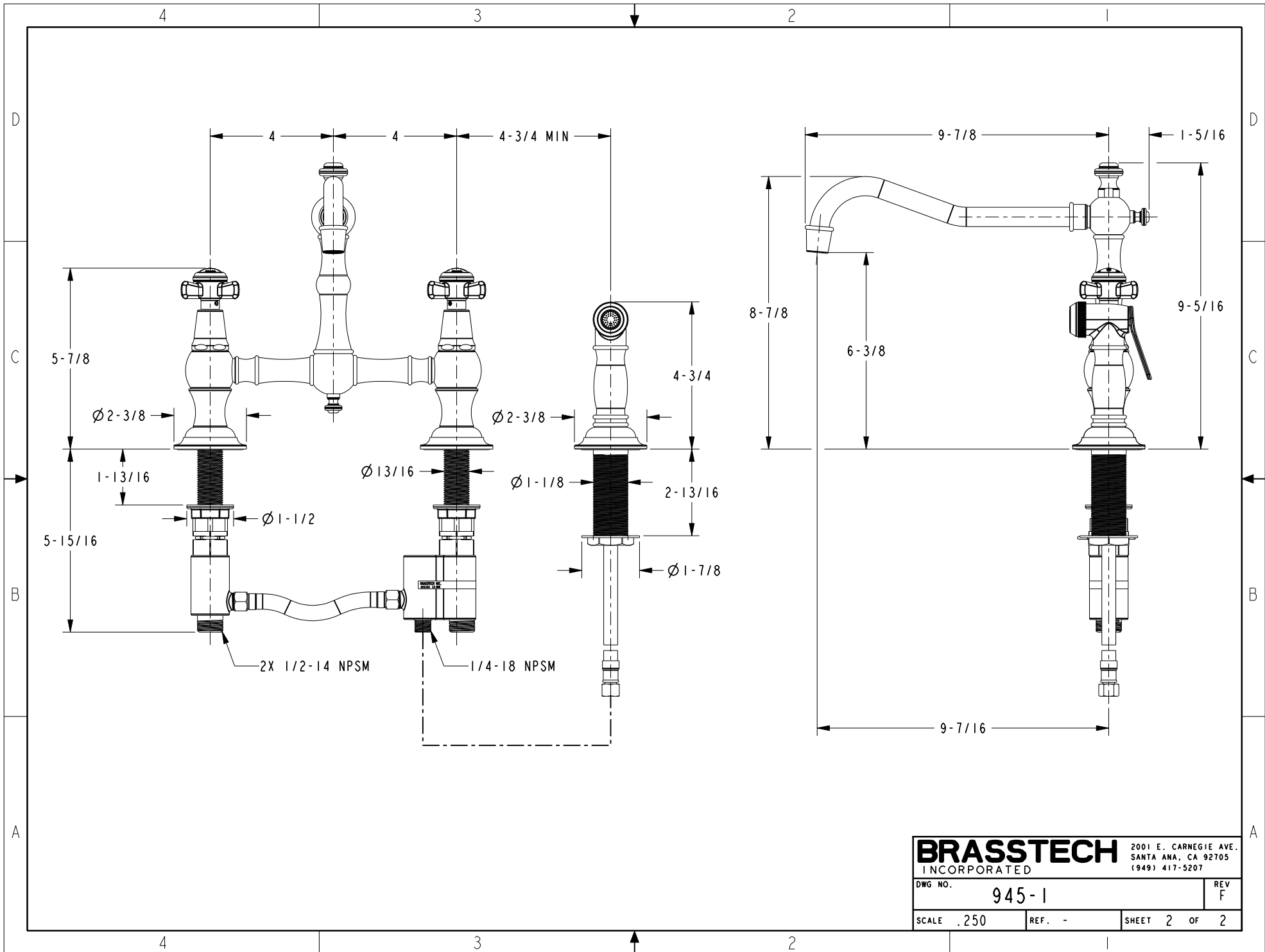
UNITS ARE: INCHES [MM]	
TOLERANCES ARE:	
FRACTIONS DECIMALS	ANGLES
±1/16"	±1°
.X ±.1 [2.5]	
.XX ±.06 [1.5]	
(X.XXX) DENOTES CRITICAL DIMS. ALL THREADS ARE CRITICAL	
DRAWN	AN 05/17/17
CHECKED	AN 05/17/17
APPROVED	AN 05/17/17

**BRASSTECH** 2001 CARNEGIE AVE. SANTA ANA, CA 92705 (949) 417-5207  
INCORPORATED

**KITCHEN BRIDGE FAUCET W/ SPRAY**

DWG NO. **945-1** REV F

SCALE .200 REF. - SHEET 1 OF 2



<b>BRASSTECH</b>		2001 E. CARNEGIE AVE.	
INCORPORATED		SANTA ANA, CA 92705	
DWG NO. 945-1		REV F	
SCALE .250	REF. -	SHEET 2 OF 2	