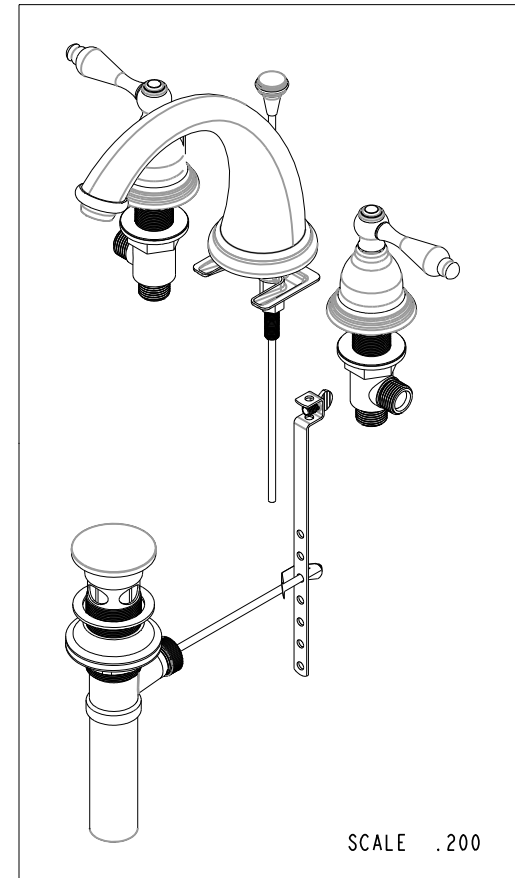
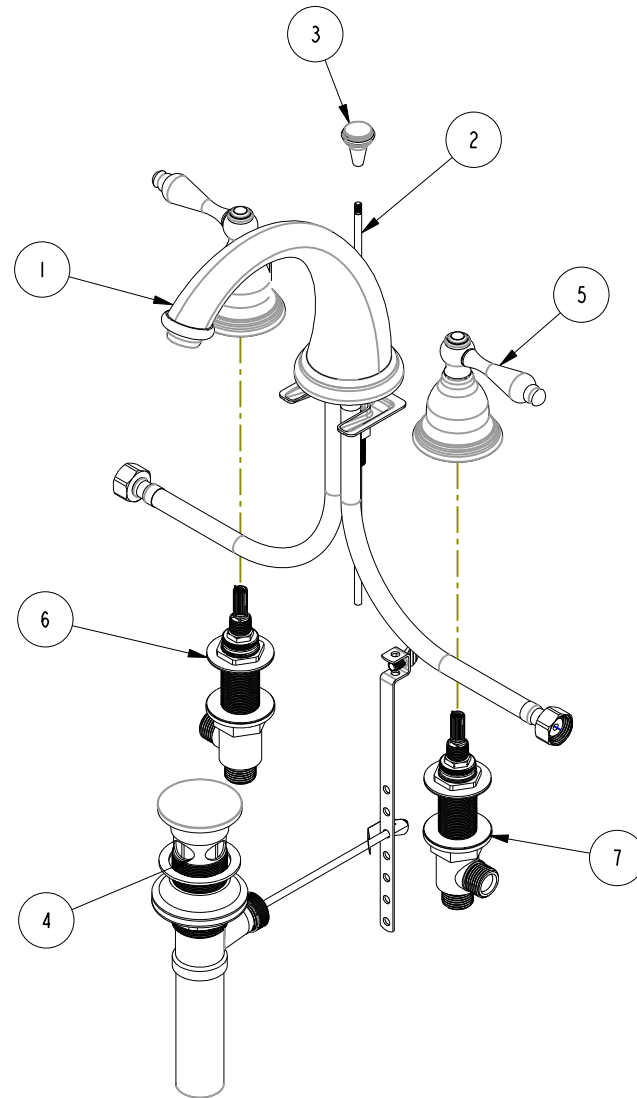


NOTES:

1. FIT/FORM/FUNCTION SHALL FOLLOW PS-E.008

BILL OF MATERIAL (CURRENT LEVEL)

ITEM	PT/ASSY	DESCRIPTION	TYPE	QTY.
1	3-348	W/S SPOUT ASM	ASSEMBLY	1
2	10288	3/16" POP UP ROD	PART	1
3	10021	POP-UP KNOB	PART	1
4	325	POP UP ASSEMBLY	ASSEMBLY	1
5	3-202	TRIM KIT - STOP VALVE	ASSEMBLY	2
6	1-600	W/S VALVE ASSY (HOT)	ASSEMBLY	1
7	1-601	W/S VALVE ASSY (COLD)	ASSEMBLY	1



COPYRIGHT 2005 BRASSTECH, INC. THESE DRAWINGS AND THE DESIGNS DEPICTED HEREIN ARE THE PROPRIETARY PROPERTY OF BRASSTECH. ANY USE OR REPRODUCTION IS SUBJECT TO THE EXPRESS APPROVAL OF BRASSTECH. UNAUTHORIZED USE IS STRICTLY PROHIBITED. ALL RIGHTS RESERVED.

BRASSTECH
INCORPORATED
2001 E. CARNEGIE AVE.
SANTA ANA, CA 92705
(949) 417-5207

WIDESPEAD FAUCET

ASSY. NO.

850C

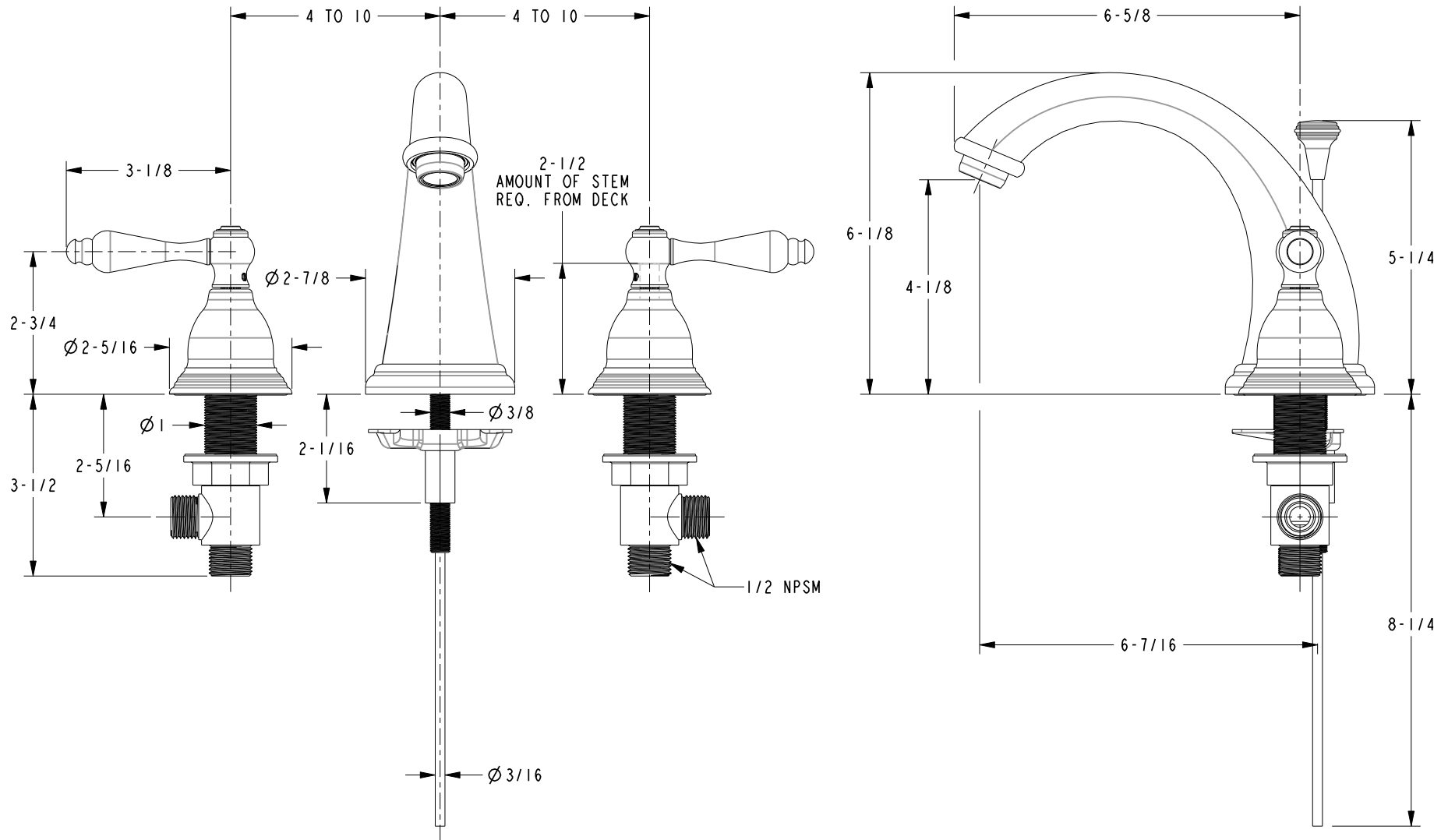
SCALE .200

REF. -

SHEET 1 OF 2

C	EN-3371B	08/08/17
B	EN-2553	07/01/13
A	EO-1018	06/10/08
-	EO-0859	07/19/07
REV	REV DESC	DATE

SPECIFICATION DWG



DIMENSIONS ARE IN INCHES AND AN APPROXIMATION OF A TYPICAL INSTALLATION

COPYRIGHT 2005 BRASSTECH, INC. THESE DRAWINGS AND THE DESIGNS DEPICTED HEREIN ARE THE PROPRIETARY PROPERTY OF BRASSTECH. ANY USE OR REPRODUCTION IS SUBJECT TO THE EXPRESS APPROVAL OF BRASSTECH. UNAUTHORIZED USE IS STRICTLY PROHIBITED. ALL RIGHTS RESERVED.

BRASSTECH		2001 CARNEGIE AVE. SANTA ANA, CA 92705 (949) 417-5207	
DWG NO.	850C	REV	C
SCALE	.350	REF.	-
		SHEET	2 OF 2