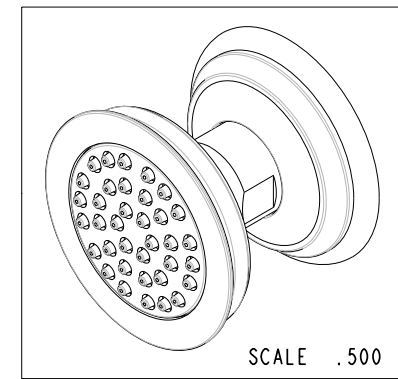
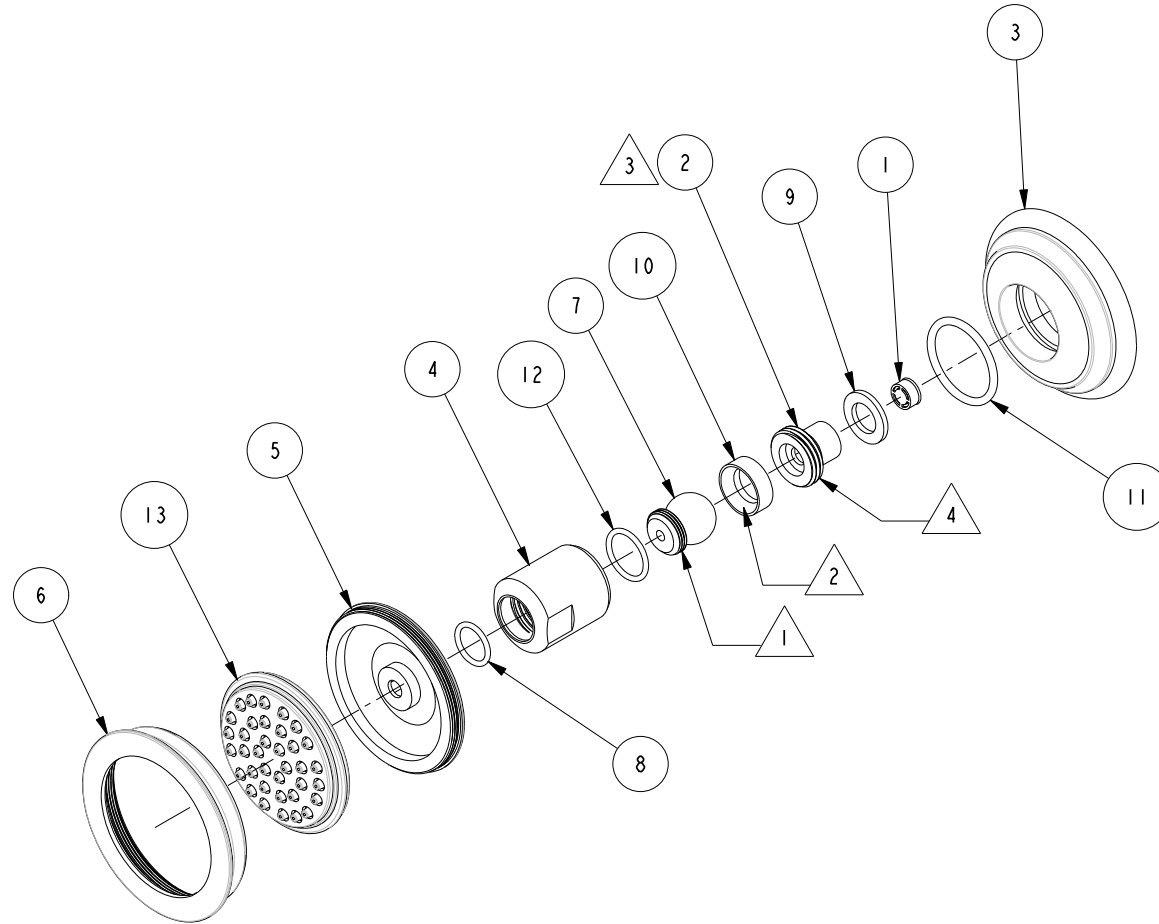


NOTES:

- 1. APPLY ADHESIVE LOCTITE 680 OR EQUIVALENT.
- 2. APPLY LIGHT FILM OF SUPPER LUBE GREASE OR EQUIVALENT.
- 3. USE A 17 LB/IN TORQUE TO INSTALL.
- 4. APPLY LOCTITE 242.

BILL OF MATERIAL (CURRENT LEVEL)

ITEM	PT/ASSY	DESCRIPTION	TYPE	QTY.
1	11599	FLOW REGULATOR, 1.75 GPM, LIGHT BLUE	PART	1
2	11688	BODY SPRAY RETAINER	PART	1
3	11690	BODY SPRAY ESCUTCHEON	PART	1
4	11691	BODY SPRAY COLLAR	PART	1
5	11693	BODY SPRAY SHELL	PART	1
6	11694	BODY SPRAY FACE PLATE	PART	1
7	50199	PIVOT BALL	PART	1
8	91019	O-RING, #2- 014, EPDM, 65-75 DURO, NSF	PART	1
9	91153	WSHR, .438 ID X .738 OD X .075 THK, FLTPABPDM	PART	1
10	91160	WSHR, .5 ID X .74 OD X .25 THK, CONCAVEDARRUBBER	PART	1
11	91259	O-RING, #2-121, EPDM, 65-75 DURO	PART	1
12	91432	O-RING, #2-016, PTFE, D55 DURO	PART	1
13	91520	JET SPRAY FACE PLATE	PART	1



COPYRIGHT 2005 BRASSTECH, INC. THESE DRAWINGS AND THE DESIGNS DEPICTED HEREIN ARE THE PROPRIETARY PROPERTY OF BRASSTECH. ANY USE OR REPRODUCTION IS SUBJECT TO THE EXPRESS APPROVAL OF BRASSTECH. UNAUTHORIZED USE IS STRICTLY PROHIBITED. ALL RIGHTS RESERVED.

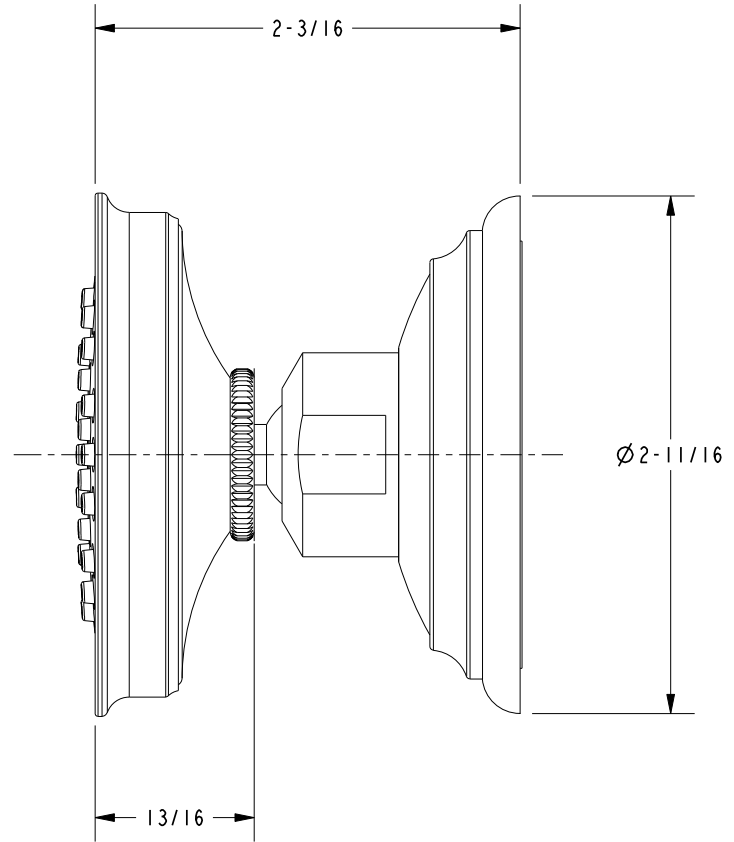
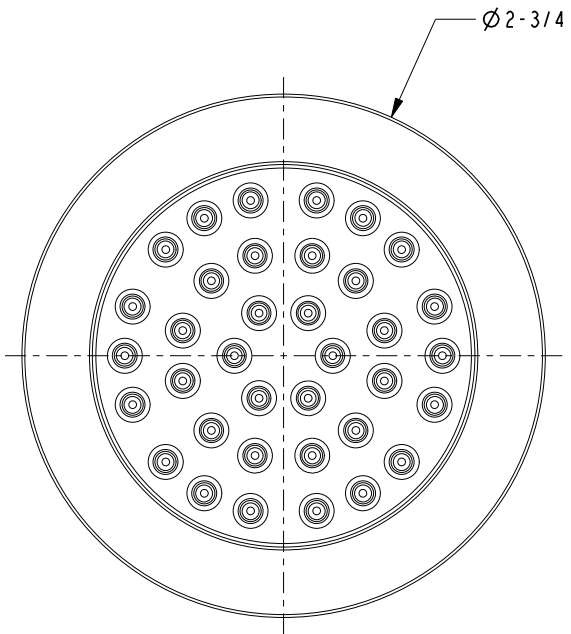
BRASSTECH
INCORPORATED
2001 E. CARNEGIE AVE.
SANTA ANA, CA 92705
(949) 417-5207

SHOWER BODY SPRAY - TRAD.

ASSY. NO.	2170		
SCALE .400	REF. -	SHEET 1 OF 2	REV
			REV DESC
			DATE

A	EN-2768	06/19/14
-	EN-1421	07/29/10

SPECIFICATION DWG



DIMENSIONS ARE IN INCHES AND AN APPROXIMATION OF A TYPICAL INSTALLATION

COPYRIGHT 2005 BRASSTECH, INC. THESE DRAWINGS AND THE DESIGNS DEPICTED HEREIN ARE THE PROPRIETARY PROPERTY OF BRASSTECH. ANY USE OR REPRODUCTION IS SUBJECT TO THE EXPRESS APPROVAL OF BRASSTECH. UNAUTHORIZED USE IS STRICTLY PROHIBITED. ALL RIGHTS RESERVED.

BRASSTECH		2001 CARNEGIE AVE.	
INCORPORATED		SANTA ANA, CA 92705	
		(949) 417-5207	
DWG NO.	2170	REF.	-
SCALE	1.000	SHEET	2 OF 2
		REV	A