

4

3

2

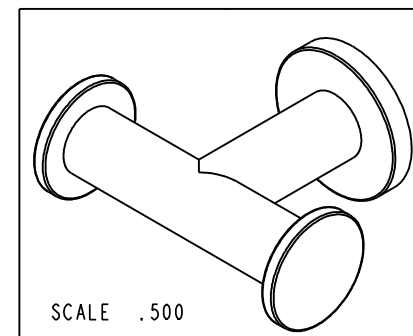
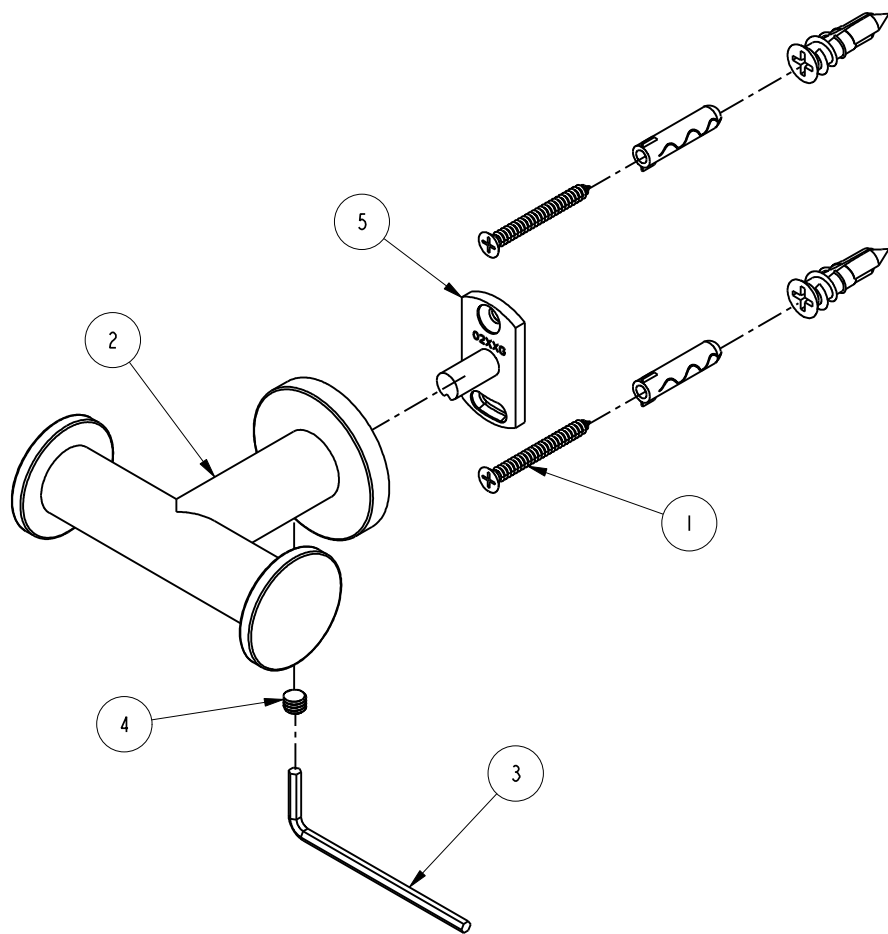
1

BILL OF MATERIAL (CURRENT LEVEL)

ITEM	PT/ASSY	DESCRIPTION	TYPE	QTY.
1	1-206	HARDWARE PACK	ASSEMBLY	1
2	7-684	DOUBLE HOOK POST AND FINIAL ASSY	ASSEMBLY	1
3	10615	3MM ALLOY STEEL HEX KEY	PART	1
4	92461	SCRW,M6X1X6 CONE POINT SS SET SCREW	PART	1
5	02XXG	MOUNTING BRACKET	PART	1

NOTES:

- 1. ITEM# 2 , 4 AND 5 ARE PRE-ASSEMBLED
- 2. PLACE ITEM# 1 AND 3 IN SEPARATE BAG



COPYRIGHT 2005 GINGER. THESE DRAWINGS AND THE DESIGNS DEPICTED HEREIN ARE THE PROPRIETARY PROPERTY OF GINGER. ANY USE OR REPRODUCTION IS SUBJECT TO THE EXPRESS APPROVAL OF GINGER. UNAUTHORIZED USE IS STRICTLY PROHIBITED. ALL RIGHTS RESERVED.

GINGER

2001 E. CARNEGIE AVE.
SANTA ANNA CA 92705
(949) 417-5207

DOUBLE HOOK

ASSY. NO.		4610D			
SCALE .500	REF. -	SHEET 1 OF 2	REV	EN-0995-1	11/10/10
			REV DESC		DATE

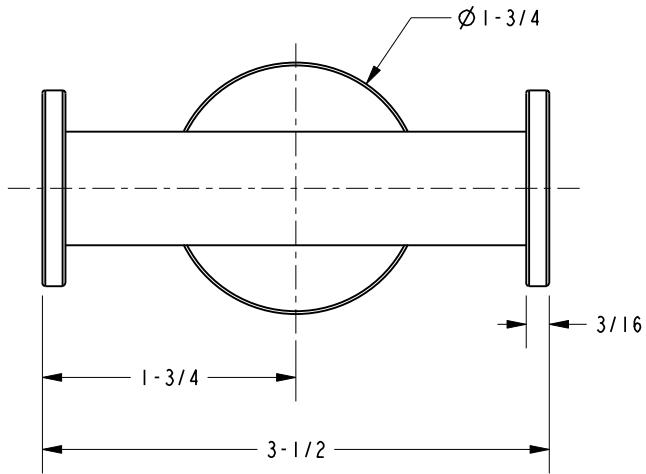
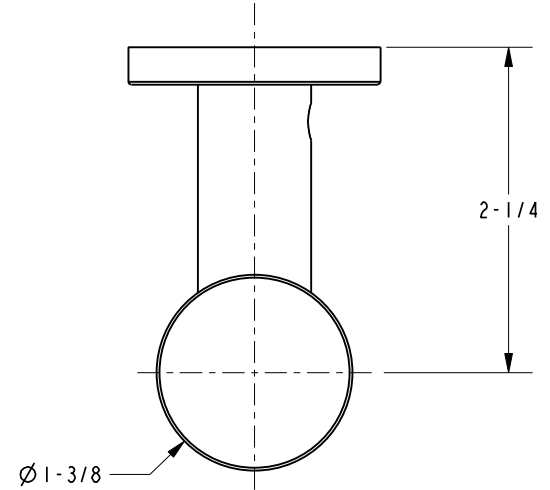
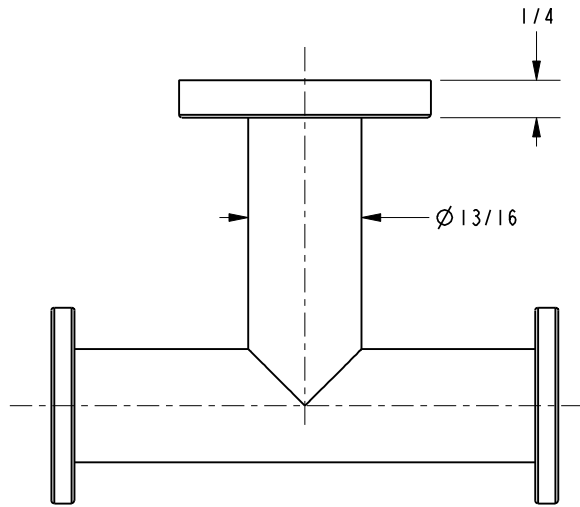
4

3

2

1

SPECIFICATION DWG



DIMENSIONS ARE IN INCHES AND AN APPROXIMATION OF A TYPICAL INSTALLATION

COPYRIGHT 2005 GINGER. THESE DRAWINGS AND THE DESIGNS DEPICTED HEREIN ARE THE PROPRIETARY PROPERTY OF GINGER. ANY USE OR REPRODUCTION IS SUBJECT TO THE EXPRESS APPROVAL OF GINGER. UNAUTHORIZED USE IS STRICTLY PROHIBITED. ALL RIGHTS RESERVED.

GINGER		2001 E. CARNEGIE AVE. SANTA ANNA, CA 92705 (949) 417-5207	
DWG NO.	4610D	REV	-
SCALE	.750	REF.	SHEET 2 OF 2

