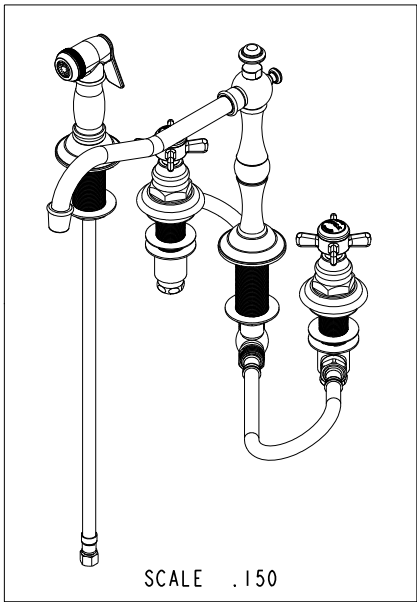


BILL OF MATERIAL (CURRENT LEVEL)

ITEM	PT/ASSY	DESCRIPTION	TYPE	QTY.
1	1-541_FIG2	VALVE KIT - 943	ASSEMBLY	1
2	2-114	THIN BLADE X - HANDLE HOT	ASSEMBLY	1
3	2-115	THIN BLADE X - HANDLE COLD	ASSEMBLY	1
4	2-174	SPOUT ASM - 943	ASSEMBLY	1
5	129	KITCHEN SPRAY HEAD	ASSEMBLY	1
6	10048	ESCUTCHEON W/S VALVE	PART	2
7	10523	HEX ESCUTCHEON BONNET	PART	2
8	91231	O-RING, #2-136, EPDM, 65-75 DURO	PART	2



SCALE .150

COPYRIGHT 2005 BRASSTECH, INC. THESE DRAWINGS AND THE DESIGNS DEPICTED HEREIN ARE THE PROPRIETARY PROPERTY OF BRASSTECH. ANY USE OR REPRODUCTION IS SUBJECT TO THE EXPRESS APPROVAL OF BRASSTECH. UNAUTHORIZED USE IS STRICTLY PROHIBITED. ALL RIGHTS RESERVED.

BRASSTECH
INCORPORATED
2001 E. CARNEGIE AVE.
SANTA ANA, CA 92705
(949) 417-5207

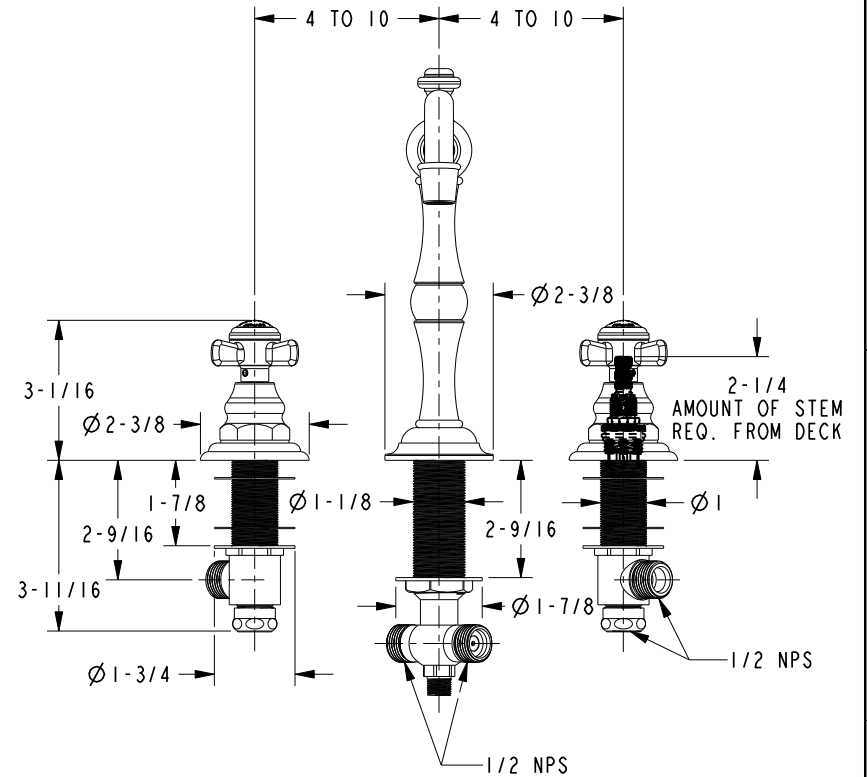
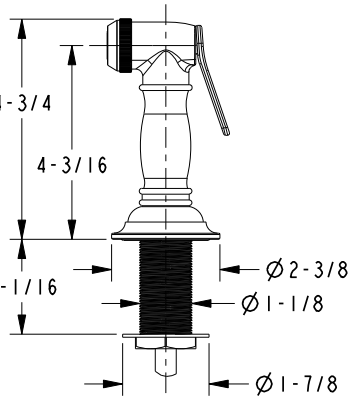
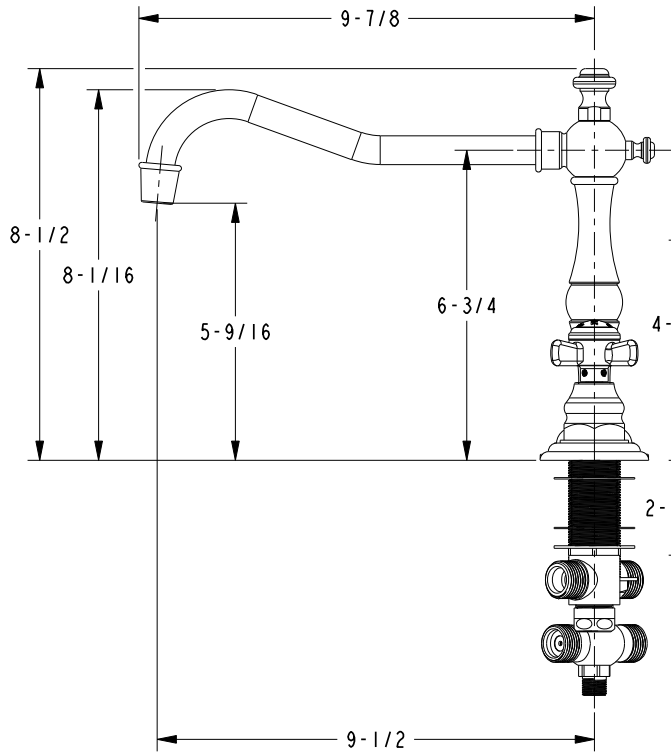
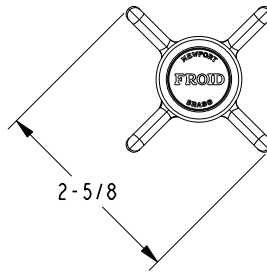
KITCHEN FAUCET WITH SPRAY

ASSY. NO. 946

SCALE .250 REF. - SHEET 1 OF 2 REV REV DESC DATE

D	EN-2334	12/27/12
C	EO-0449	11/11/04
B	EO-0443	11/02/04
REV	REV DESC	DATE

SPECIFICATION DWG



DIMENSIONS ARE IN INCHES AND AN APPROXIMATION OF A TYPICAL INSTALLATION

COPYRIGHT 2005 BRASSTECH, INC. THESE DRAWINGS AND THE DESIGNS DEPICTED HEREIN ARE THE PROPRIETARY PROPERTY OF BRASSTECH. ANY USE OR REPRODUCTION IS SUBJECT TO THE EXPRESS APPROVAL OF BRASSTECH. UNAUTHORIZED USE IS STRICTLY PROHIBITED. ALL RIGHTS RESERVED.

BRASSTECH		2001 CARNEGIE AVE. SANTA ANA, CA 92705 (949) 417-5207
DWG NO.	946	REV D
SCALE	1,000	REF. - SHEET 2 OF 2