

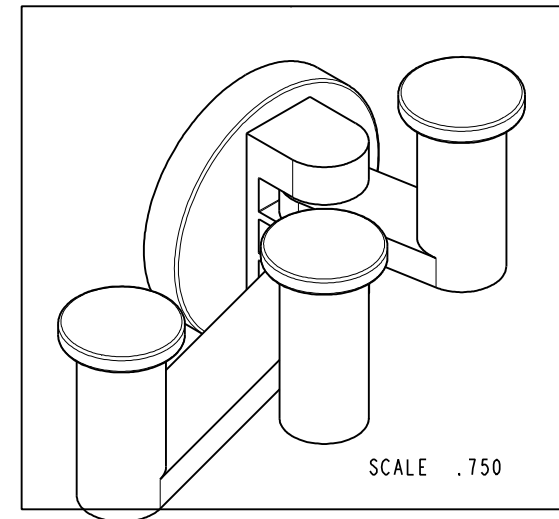
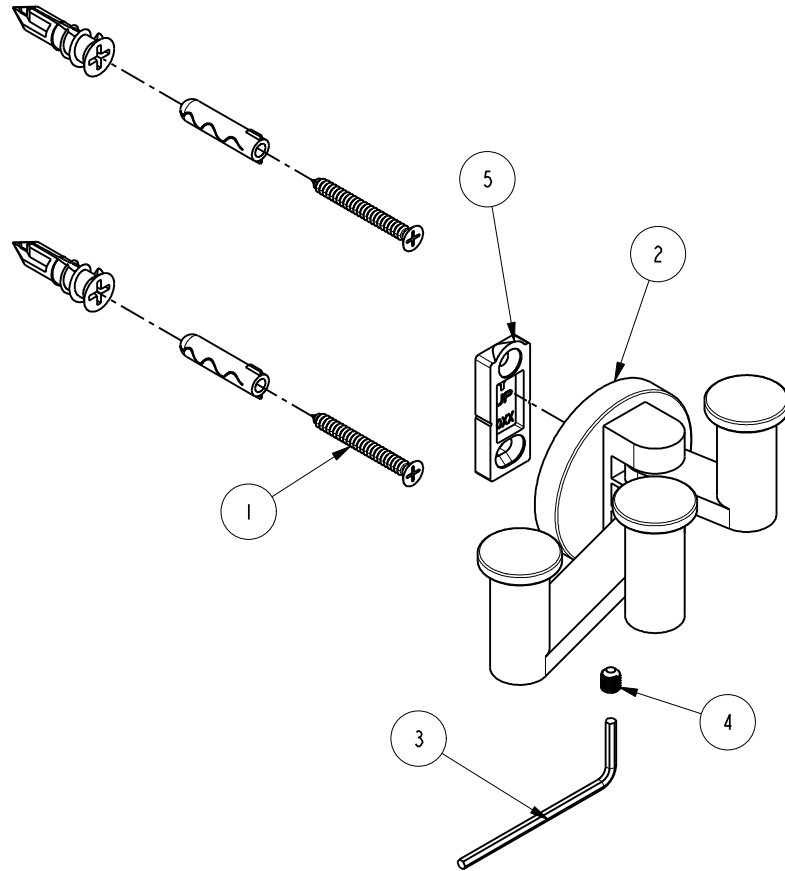
1 APPLY PERMANENT THREAD LOCKER (LOCTITE 262)

NOTES:

- 1. ITEM# 2, 4 AND 5 ARE PRE-ASSEMBLED
- 2. PLACE ITEM# 1 AND 3 IN SEPARATE BAG

BILL OF MATERIAL (CURRENT LEVEL)

ITEM	PT/ASSY	DESCRIPTION	TYPE	QTY.
1	1-206	HARDWARE PACK	ASSEMBLY	1
2	7-671	TRIPLE SWIVELING HOOK AND BASE ASM	ASSEMBLY	1
3	10888	2.5MM ALLOY STEEL HEX KEY	PART	1
4	92303	SCRW, M5 X 6 SKT HD CUP PT SS (MMC# 92015A118)	PART	1
5	30XX	MOUNTING BRACKET - SHORT	PART	1



COPYRIGHT 2005 GINGER. THESE DRAWINGS AND THE DESIGNS DEPICTED HEREIN ARE THE PROPRIETARY PROPERTY OF GINGER. ANY USE OR REPRODUCTION IS SUBJECT TO THE EXPRESS APPROVAL OF GINGER. UNAUTHORIZED USE IS STRICTLY PROHIBITED. ALL RIGHTS RESERVED.

GINGER

2001 E. CARNEGIE AVE.
SANTA ANNA CA 92705
(949) 417-5207

TRIPLE SWIVELING HOOK

ASSY. NO. 4610T

SCALE .500

REF. -

SHEET 1 OF 2

REV

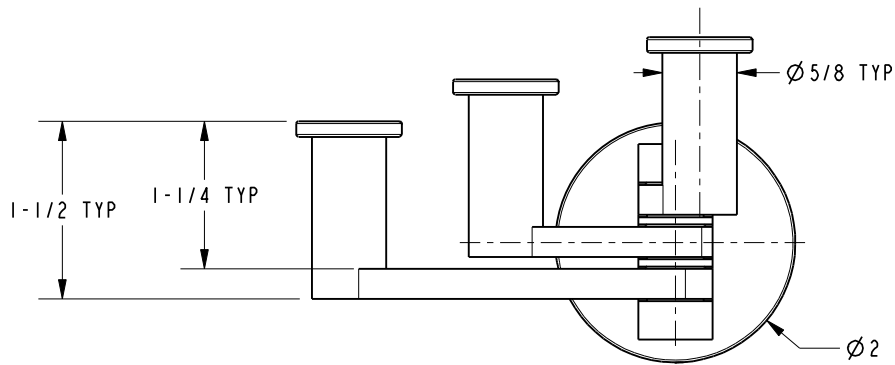
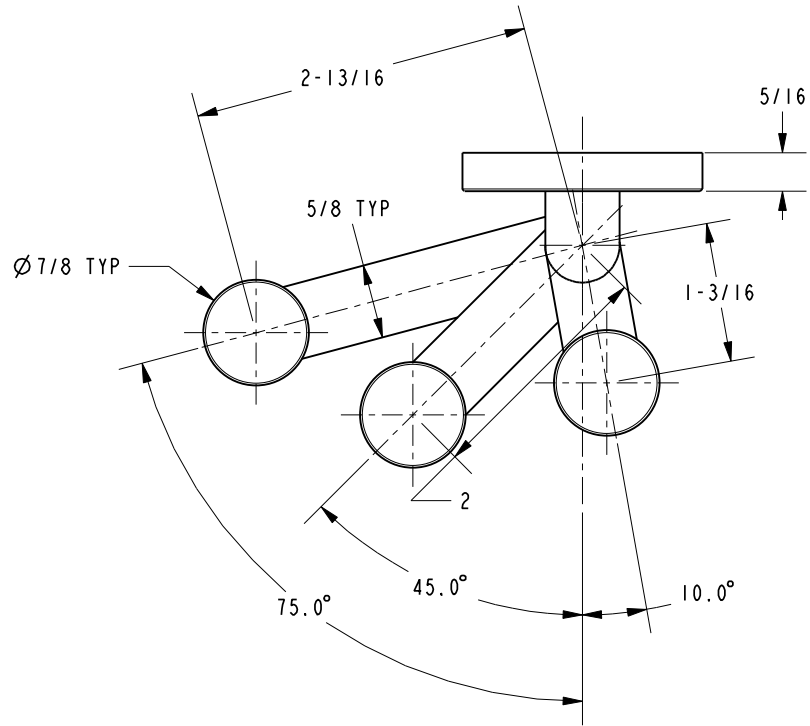
EN-0995-1

11/10/10

REV DESC

DATE

SPECIFICATION DWG



DIMENSIONS ARE IN INCHES AND AN APPROXIMATION OF A TYPICAL INSTALLATION

COPYRIGHT 2005 GINGER. THESE DRAWINGS AND THE DESIGNS DEPICTED HEREIN ARE THE PROPRIETARY PROPERTY OF GINGER. ANY USE OR REPRODUCTION IS SUBJECT TO THE EXPRESS APPROVAL OF GINGER. UNAUTHORIZED USE IS STRICTLY PROHIBITED. ALL RIGHTS RESERVED.

GINGER		2001 CARNEGIE AVE. SANTA ANA, CA 92705 19491 417-5207	
DWG NO.	4610T	REV	-
SCALE	.625	REF.	-
		SHEET	2 OF 2