

PENDLETON

SIMPLE SELECT 2-WAY PRESSURE BALANCE SHOWER VALVE TRIM

SKU: 948976



FEATURES

- Shape: Round
- Features: Pressure-Balanced
- Installation Type: Wall Mount
- Diverter Included: Optional
- Dual Functionality Allows For One or Both Shower Features to Run at a Time
- Optional Rough-in Valve:
 - Pressure Balanced With Integral Stops
 - One-Piece Cartridge Design For Ease of Maintenance
 - Back-to-Back Capability
 - Adjustable Temperature Limit Stop
 - Quick Remove Plaster Guard
 - Easy Mounting Brackets

SIGNATURE HARDWARE Lifetime Warranty

See website for detailed warranty information.

CONTENTS

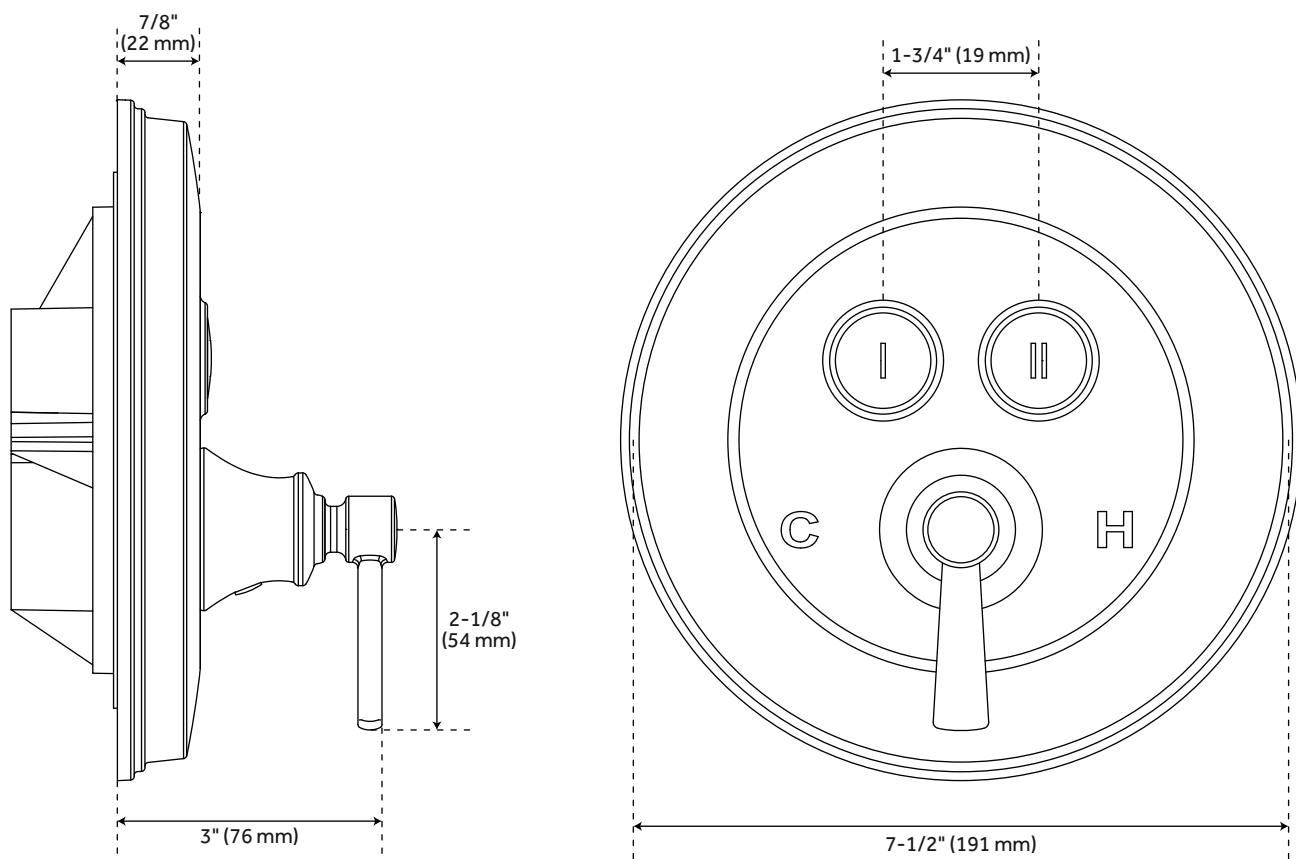
TRIM	PAGE 2
VALVE	PAGE 3

REVISED 01/30/2020

PENDLETON

SIMPLE SELECT TRIM

SKU: 948976



FEATURES

Material: Brass
Diameter: 7-1/2"
Depth: 3"
NPT Connection: 1/2"

CODES/STANDARDS

cUPC
ASME A112.18.1/CSA B125.1
ICC/ANSI A117.1 (when installed
according to ADA standards)
Massachusetts Accepted

SIGNATURE HARDWARE LIFETIME WARRANTY

See website for warranty information



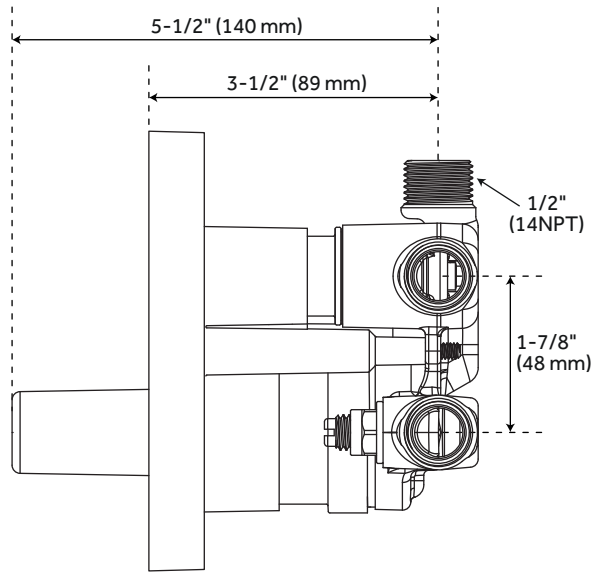
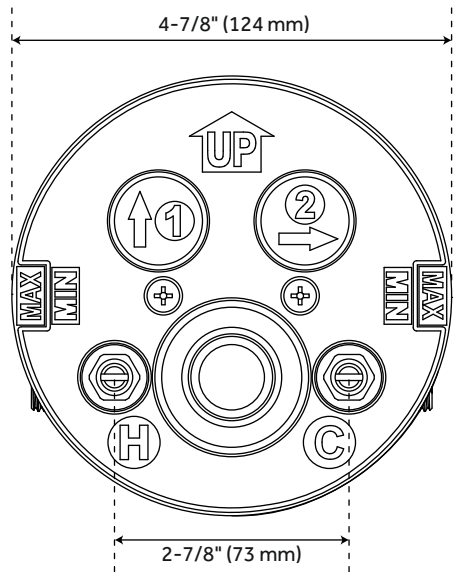
All dimensions and specifications are nominal and may vary. Use actual products for accuracy in critical situations.

PAGE 2
Code: SHPT8040BN/SHPT8040CP
SHPT8040ORB/SHPT8040PN

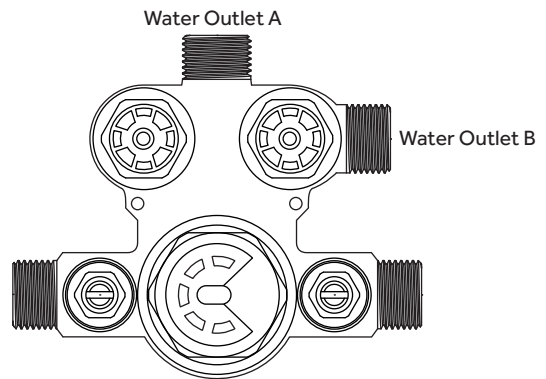
PENDLETON

SIMPLE SELECT PRESSURE BALANCE ROUGH-IN VALVE

SKU: 948976



Pressure (PSI)		20	40	60	80
Simultaneous (Both Valves Open)	Total (GPM)	3.4	5	6.3	7.4
	Outlet A (GPM)	1.2	2.2	2.9	3.5
	Outlet B (GPM)	2.2	2.8	3.4	3.9
Separate (A or B Closed)	Outlet A (GPM)	2.5	3.9	4.8	5.5
	Outlet B (GPM)	2.5	3.9	4.8	5.5



FEATURES

Material: Bronze
 Length: 4-7/8"
 Width: 4-3/8"
 Depth: 5-1/2"
 NPT Connection: 1/2"

CODES/STANDARDS

cUPC
 ASME A112.18.1/CSA B125.1
 ASSE 1016 Type P

SIGNATURE HARDWARE LIFETIME WARRANTY

See website for warranty information



All dimensions and specifications are nominal and may vary. Use actual products for accuracy in critical situations.

PAGE 3
 Code: SH5001SS