

VILAMONTE

SIMPLE SELECT 2-WAY PRESSURE BALANCE SHOWER VALVE TRIM

SKU: 948977



FEATURES

- Shape: Square
- Features: Pressure-Balanced
- Installation Type: Wall Mount
- Diverter Included: Optional
- Dual Functionality Allows For One or Both Shower Features to Run at a Time
- Optional Rough-in Valve:
 - Pressure Balanced With Integral Stops
 - One-Piece Cartridge Design For Ease of Maintenance
 - Back-to-Back Capability
 - Adjustable Temperature Limit Stop
 - Quick Remove Plaster Guard
 - Easy Mounting Brackets

SIGNATURE HARDWARE Lifetime Warranty

See website for detailed warranty information.

CONTENTS

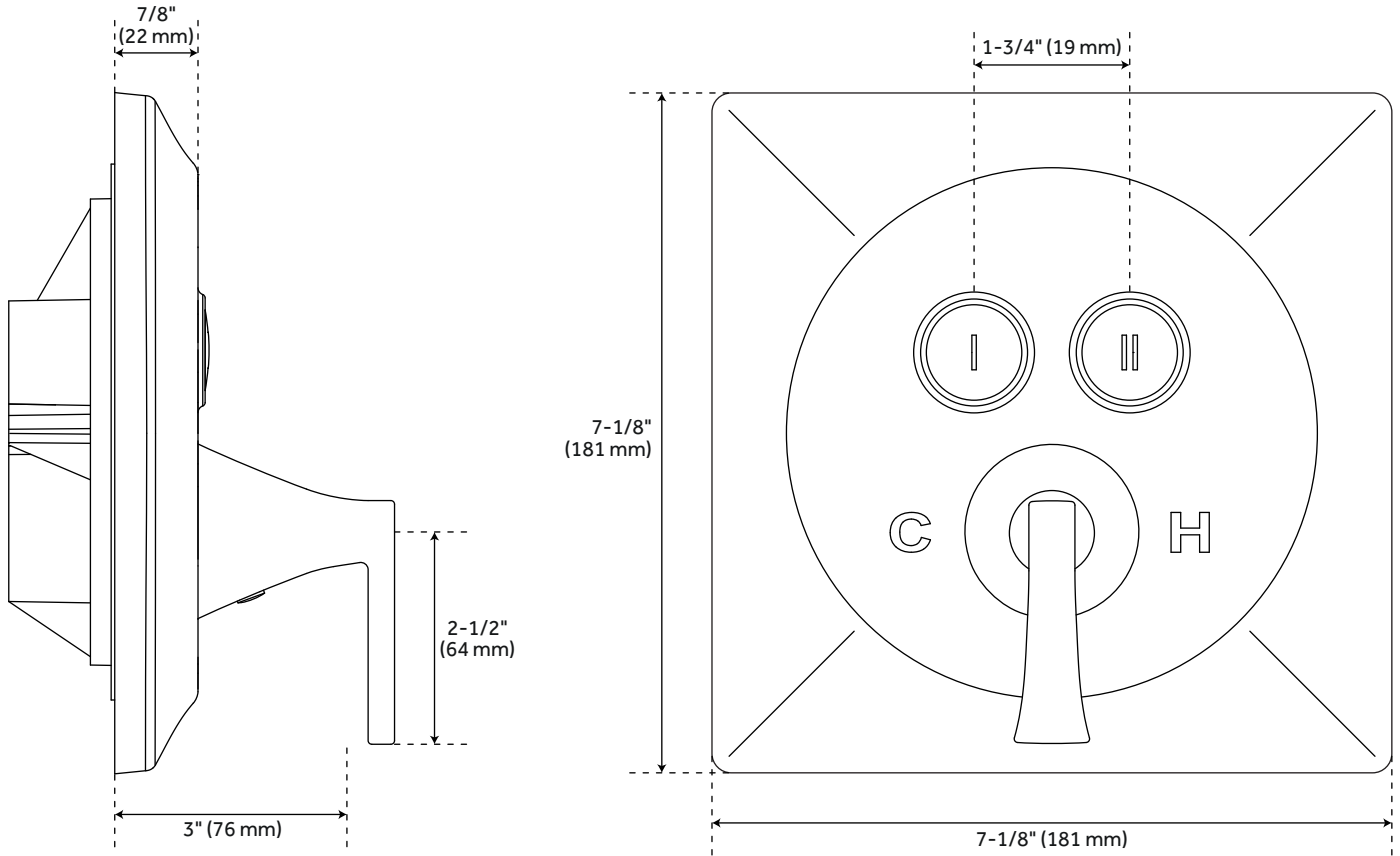
| | | |
|-------|-------|--------|
| TRIM | | PAGE 2 |
| VALVE | | PAGE 3 |

REVISED 01/30/2020

VILAMONTE

SIMPLE SELECT TRIM

SKU: 948977



FEATURES

- Material: Brass
- Width: 7-1/8"
- Height: 7-1/8"
- Depth: 3"
- NPT Connection: 1/2"

CODES/STANDARDS

- cUPC
- ASME A112.18.1/CSA B125.1
- ICC/ANSI A117.1 (when installed according to ADA standards)
- Massachusetts Accepted

SIGNATURE HARDWARE

LIFETIME WARRANTY

See website for warranty information



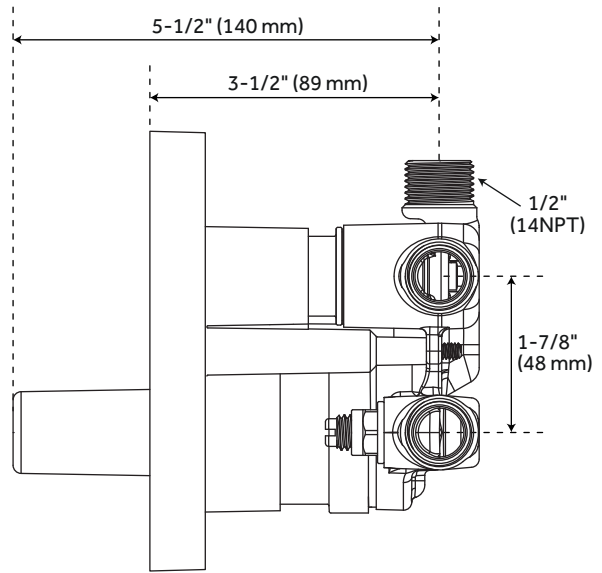
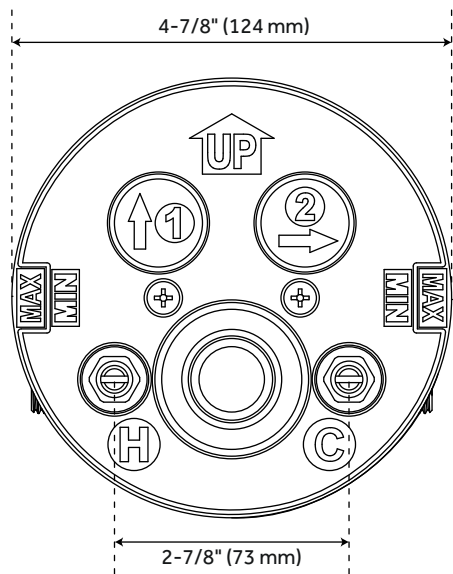
All dimensions and specifications are nominal and may vary. Use actual products for accuracy in critical situations.

PAGE 2
Code: SHVL8040BN/SHVL8040CP
SHVL8040ORB/SHVL8040PN

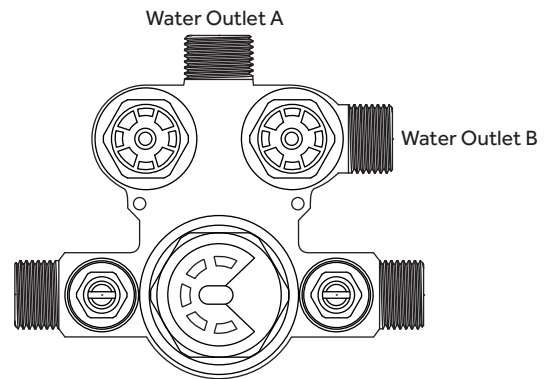
VILAMONTE

SIMPLE SELECT PRESSURE BALANCE ROUGH-IN VALVE

SKU: 948977



| Pressure (PSI) | | 20 | 40 | 60 | 80 |
|------------------------------------|----------------|-----|-----|-----|-----|
| Simultaneous (Both Valves Open) | Total (GPM) | 3.4 | 5 | 6.3 | 7.4 |
| | Outlet A (GPM) | 1.2 | 2.2 | 2.9 | 3.5 |
| | Outlet B (GPM) | 2.2 | 2.8 | 3.4 | 3.9 |
| Separate (A or B Closed) | Outlet A (GPM) | 2.5 | 3.9 | 4.8 | 5.5 |
| | Outlet B (GPM) | 2.5 | 3.9 | 4.8 | 5.5 |



FEATURES

Material: Bronze
 Length: 4-7/8"
 Width: 4-3/8"
 Depth: 5-1/2"
 NPT Connection: 1/2"

CODES/STANDARDS

cUPC
 ASME A112.18.1/CSA B125.1
 ASSE 1016 Type P

SIGNATURE HARDWARE LIFETIME WARRANTY

See website for warranty information



All dimensions and specifications are nominal and may vary. Use actual products for accuracy in critical situations.

PAGE 3
 Code: SH5001SS