

# PROVINCETOWN

## SIMPLE SELECT 2-WAY PRESSURE BALANCE SHOWER VALVE TRIM

SKU: 948975



### FEATURES

- Shape: Round
- Features: Pressure-Balanced
- Installation Type: Wall Mount
- Diverter Included: Optional
- Dual Functionality Allows For One or Both Shower Features to Run at a Time
- Optional Rough-in Valve:
  - Pressure Balanced With Integral Stops
  - One-Piece Cartridge Design For Ease of Maintenance
  - Back-to-Back Capability
  - Adjustable Temperature Limit Stop
  - Quick Remove Plaster Guard
  - Easy Mounting Brackets

### SIGNATURE HARDWARE Lifetime Warranty

See website for detailed warranty information.

### CONTENTS

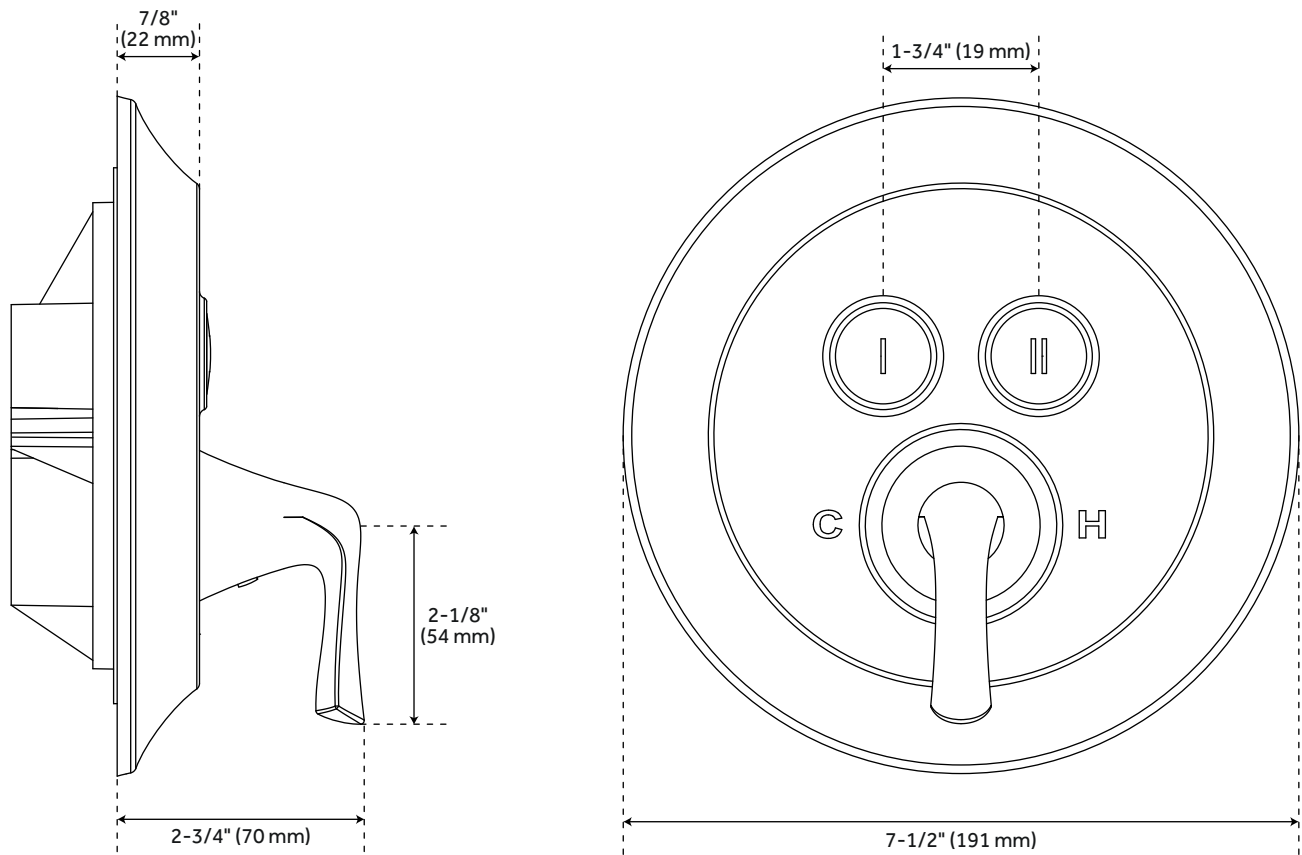
TRIM	.....	PAGE 2
VALVE	.....	PAGE 3

REVISED 01/30/2020

# PROVINCETOWN

## SIMPLE SELECT TRIM

SKU: 948975



### FEATURES

Material: Brass  
Diameter: 7-1/2"  
Depth: 2-3/4"  
NPT Connection: 1/2"

### CODES/STANDARDS

cUPC  
ASME A112.18.1/CSA B125.1  
ICC/ANSI A117.1 (when installed  
according to ADA standards)  
Massachusetts Accepted

### SIGNATURE HARDWARE LIFETIME WARRANTY

See website for warranty information



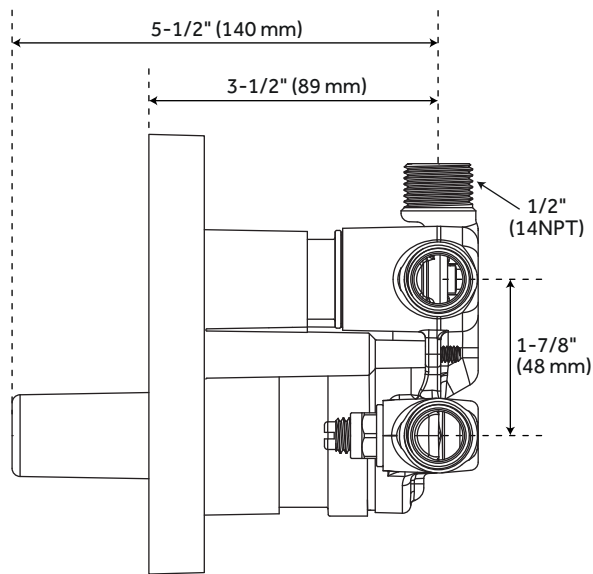
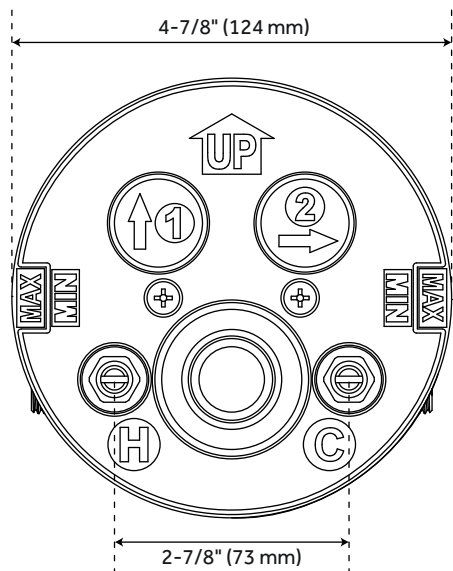
All dimensions and specifications are nominal and may vary. Use actual products for accuracy in critical situations.

PAGE 2  
Code: SHPR8040BN/SHPR8040CP

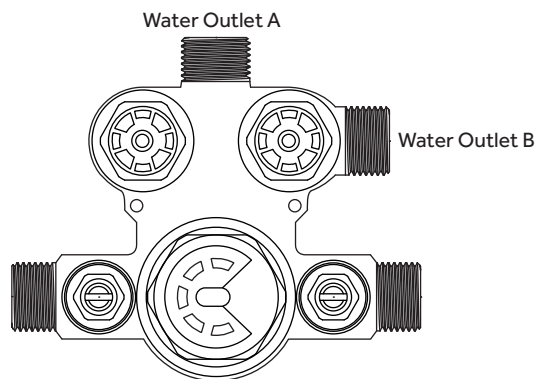
# PROVINCETOWN

## SIMPLE SELECT PRESSURE BALANCE ROUGH-IN VALVE

SKU: 948975



Pressure (PSI)		20	40	60	80
Simultaneous (Both Valves Open)	Total (GPM)	3.4	5	6.3	7.4
	Outlet A (GPM)	1.2	2.2	2.9	3.5
	Outlet B (GPM)	2.2	2.8	3.4	3.9
Separate (A or B Closed)	Outlet A (GPM)	2.5	3.9	4.8	5.5
	Outlet B (GPM)	2.5	3.9	4.8	5.5



### FEATURES

Material: Bronze  
 Length: 4-7/8"  
 Width: 4-3/8"  
 Depth: 5-1/2"  
 NPT Connection: 1/2"

### CODES/STANDARDS

cUPC  
 ASME A112.18.1/CSA B125.1  
 ASSE 1016 Type P

### SIGNATURE HARDWARE LIFETIME WARRANTY

See website for warranty information



All dimensions and specifications are nominal and may vary. Use actual products for accuracy in critical situations.

PAGE 3  
 Code: SH5001SS