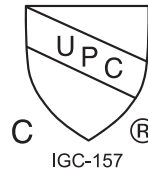


# Lead-Free\* Bronze Ball Valves

Silicon Performance Bronze™ Alloy • Two-Piece Body • Full Port • Blowout-Proof Stem • Stainless Trim • Vented Ball • MSS SP-110 • UPC-IGC-157 • NSF/ANSI-61-8 Commercial Hot 180°F (includes Annex F and G) and NSF/ANSI-372

**Size Range: 1/4" - 2"**  
**Pressure Rating: 600 PSI CWP**  
**Maximum Temperature: 300° F**

Lead-Free\* markings:  
Double oval in body casting, white handle and blue hang tag



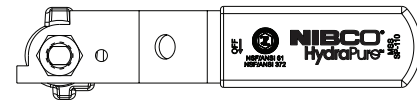
## MATERIAL LIST

PART	SPECIFICATION
1. Nut, Handle	Steel, Stainless
2. Stem	Stainless Steel ASTM A276 Type 316
3. Pack Gland	Brass ASTM B16 Alloy C36000
4. Packing, Stem	Virgin PTFE
5. Washer, Thrust	Reinforced PTFE
6. Handle	Steel, Plated Plastisol Coated
7. End Piece	Silicon Bronze ASTM B584 Alloy C87600
8. Seat Ring	Reinforced PTFE
9. Ball (Vented)	Stainless Steel ASTM A276 Type 316
10. Body	Silicon Bronze ASTM B584 Alloy C87600

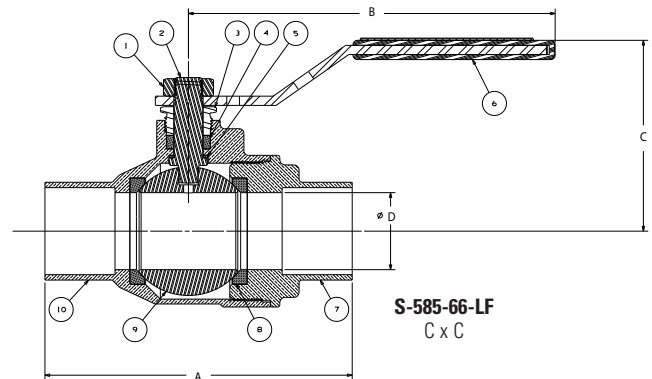
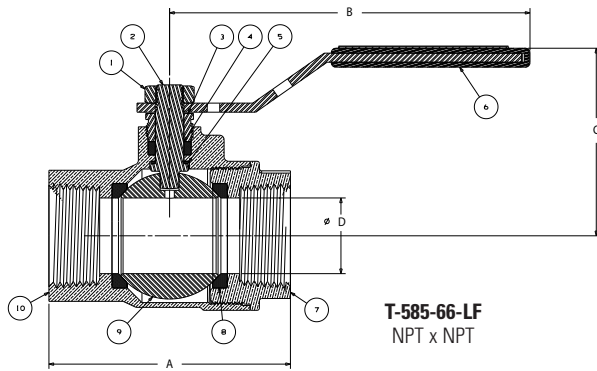


**T-585-66-LF**  
Threaded

**S-585-66-LF**  
Solder



Handle Markings



## DIMENSIONS—WEIGHTS—QUANTITIES

Dimensions																
Size	T-585-66-LF			S-585-66-LF			Port				Master Ctn. Qty.					
	In.	mm.	A	In.	mm.	B	In.	mm.	C	In.			mm.	D	T-585-66-LF	S-585-66-LF
1/4	8	1.78	45	1.87	47	3.96	101	1.85	47	0.31	8	0.43	0.19	0.40	0.18	24
3/8	10	1.79	45	2.01	51	3.96	101	1.85	47	0.38	10	0.44	0.20	0.41	0.19	24
1/2	15	2.19	56	2.40	61	3.96	101	1.96	50	0.50	13	0.65	0.30	0.56	0.25	80
3/4	20	2.58	66	3.32	84	4.76	121	2.28	58	0.75	19	1.20	0.55	1.02	0.46	60
1	25	3.19	81	3.99	101	4.76	121	2.48	63	1.00	25	1.63	0.74	1.50	0.68	40
1 1/4	32	3.55	90	4.19	106	6.76	172	3.10	79	1.25	32	2.87	1.30	2.41	1.09	4
1 1/2	40	4.26	108	5.00	127	6.76	172	3.32	84	1.50	38	3.83	1.74	3.62	1.64	2
2	50	4.80	122	6.05	154	6.76	172	3.56	90	2.00	51	5.57	2.53	5.54	2.51	8

### Handle Options:

- NIB-Seal®
- Locking lever
- Memory stop
- Extended lever w/ memory stop
- Round
- Wing
- Horizontal and vertical chain

\*Lead Free refers to the wetted surface of pipe, fittings and fixtures in potable water systems that have a weighted average lead content ≤ 0.25% per the Safe Drinking Water Act (Sec. 1417) amended 1-4-2011 and other equivalent state regulations.