

## Features

- Touchless on/off with a wave of your hand or an object such as a pan.
- Response® technology uses a state-of-the-art motion sensor for reliable touchless activation.
- LED light indicates Response® is ready to use.
- AC-powered operation—no batteries to replace.
- Voice control allows hands-free activation to turn the faucet on or off, pour specific amounts and fill preset measurements.\*
- KOHLER® Konnect™ pairs with Amazon Alexa, Google Home and Apple Home Kit.\*\*
- Innovative sensor monitors water usage and displays that information on the KOHLER® Konnect™ app.
- Notification can be sent to your mobile device when unusual flow of water is detected.\*\*\*
- 2.4 GHz password-protected Wi-Fi connection is required.
- Three-function pull-down sprayhead with touch-control allows you to switch between stream, Sweep® spray and BerrySoft® spray.
- Sweep® spray is a wide, powerful blade of water that sweeps your dishes and sink clean.
- BerrySoft® is a light spray ideal for washing hands, rinsing delicate dishware and prepping fruits and vegetables.
- DockNetik® magnetic docking system securely locks the sprayhead into place when not in use.
- ProMotion® technology allows the pull-down sprayhead to swivel for more comfortable use.
- MasterClean™ sprayface withstands mineral buildup to wipe clean easily.
- High-arch swing spout offers vertical clearance for tall cookware and pitchers.
- Single lever handle makes adjusting water temperature easy with one hand.
- Temperature memory allows faucet to be turned on and off at the temperature set during prior usage.
- High-temperature limit setting for added safety.
- KOHLER® ceramic disc valves exceed industry longevity standards, ensuring durable performance for life.

## Material

- Premium metal construction.
- KOHLER finishes resist corrosion and tarnishing.

## Installation

- 1.5 gpm (5.7 l/m) maximum flow rate at 60 psi (4.1 bar).
- Single-hole installation (3-hole escutcheon available; K-99272, sold separately).
- Flexible supply lines simplify installation.



**ADA** **CSA B651**

## Codes/Standards

ASME A112.18.1/CSA B125.1  
NSF/ANSI 61  
NSF/ANSI 372  
All applicable US Federal and State material regulations  
DOE - Energy Policy Act 1992  
California Energy Commission (CEC)  
ADA  
ICC/ANSI A117.1  
CSA B651

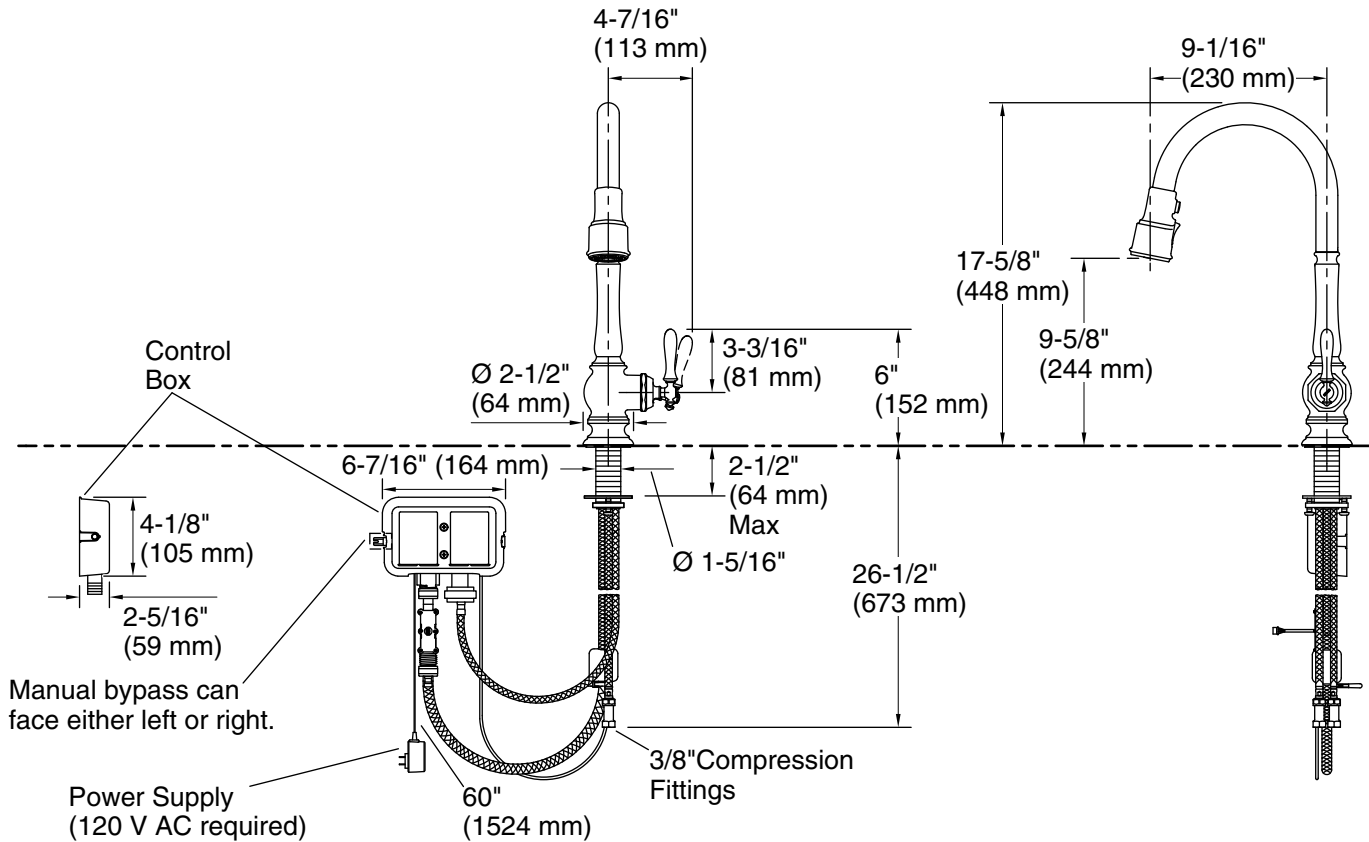
## KOHLER® Electronic Faucets, Valves, and Controls Five-Year Limited Warranty

See website for detailed warranty information.

## Available Colors/Finishes

*Color tiles intended for reference only.*

Color	Code	Description
	CP	Polished Chrome
	SN	Vibrant® Polished Nickel
	VS	Vibrant® Stainless
	2BZ	Oil-Rubbed Bronze



### Technical Information

All product dimensions are nominal.

#### Faucet:

Flow rate: 1.5 gal/min (5.7 l/min)  
 Pressure: 60 psi (4.1 bar)  
 Drain included: No

### Notes

Install this product according to the installation instructions.

ADA, CSA B651 compliant when installed to the specific requirements of these regulations.