

PF244A



Two Handle Laundry Faucet

Product Features

- Union inlets are combination 1/2" IPS or solder
- Washerless cartridge
- Optional hose thread included
- Min. flow rate (with hose thread adapter): 4.0 gpm at 20 psi
- Max. flow rate (with aerator): 5.1 gpm at 20 psi
- Clamp-type mounting
- Solid brass waterways
- Cast brass construction
- Metal handle
- cUPC/IAPMO listed
- Meets ASME:A112.18.1

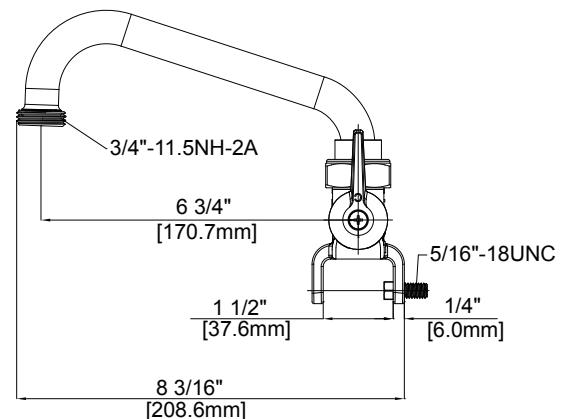
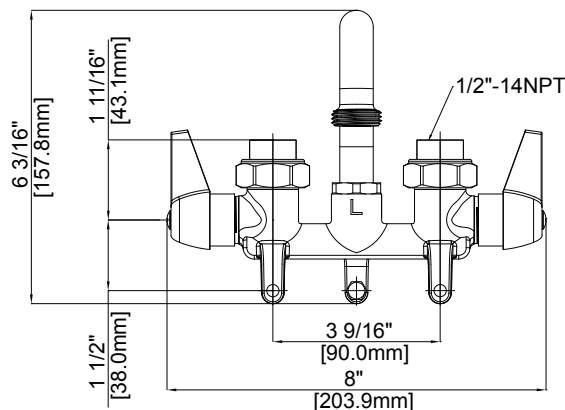


PF244A

Model Numbers

PF244A Rough Brass Body
Chrome Spout and Handles

Product Specifications



Warranty and Codes

This product comes complete with installation, operating, care and maintenance instructions. This PROFLO faucet carries a limited lifetime warranty when installed in residential applications. The warranty is five years in commercial applications. This product meets ASME: A112.18.1. *Compliant with lead content requirements of California AB 1953.



Distributed Exclusively by Ferguson and Wolseley Canada