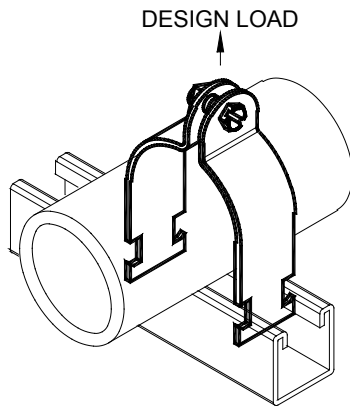
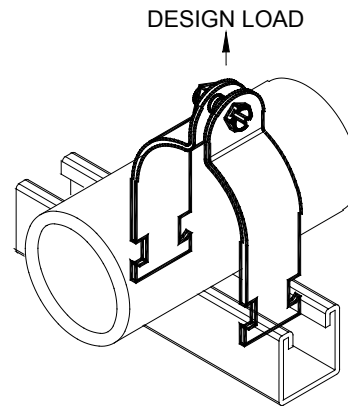


**FIGURE 7873 - Rigid Strut Clamp**



Catalog Number	Pipe Sizes		O.D.		Design Load	
	in.	Metric	in.	mm	Lbs.	kN
FNW7873Z0037	3/8	10	0.675	17.1	400	1.78
FNW7873Z0050 FNW7873S0050	1/2	15	0.840	21.3	400	1.78
FNW7873Z0075 FNW7873S0075	3/4	20	1.050	26.7	600	2.67
FNW7873Z0100 FNW7873S0100	1	25	1.315	33.4	600	2.67
FNW7873Z0125 FNW7873S0125	1-1/4	32	1.660	42.2	600	2.67
FNW7873Z0150 FNW7873S0150	1-1/2	40	1.900	48.3	800	3.56
FNW7873Z0200 FNW7873S0200	2	50	2.375	60.3	800	3.56
FNW7873Z0250 FNW7873S0250	2-1/2	65	2.875	73.0	800	3.56
FNW7873Z0300 FNW7873S0300	3	80	3.500	88.9	800	3.56
FNW7873Z0350 FNW7873S0350	3-1/2	90	4.000	101.6	1000	4.45
FNW7873Z0400 FNW7873S0400	4	100	4.500	114.3	1000	4.45
FNW7873Z0500 FNW7873S0500	5	125	5.562	141.3	1000	4.45
FNW7873Z0600 FNW7873S0600	6	150	6.625	168.3	1000	4.45
FNW7873Z0800 FNW7873S0800	8	200	8.625	219.1	1000	4.45
FNW7873Z1000	10	250	10.750	273.1	1000	4.45
FNW7873Z1200	12	300	12.750	323.9	1000	4.45

**FIGURE 7874 - Universal Strut Clamp**



Catalog Number	Clamp Sizes*		O.D.		Design Load	
	in.	Metric	in.	mm	Lbs.	kN
FNW7874Z0050	1/2	15	0.773	19.6	400	1.78
FNW7874Z0075	3/4	20	0.986	25.0	600	2.67
FNW7874Z0100	1	25	1.239	31.5	600	2.67
FNW7874Z0125	1-1/4	32	1.585	40.3	600	2.67
FNW7874Z0150	1-1/2	40	1.820	45.7	800	3.56
FNW7874Z0200	2	50	2.286	58.1	800	3.56

\* These clamps are designed to fit both pipe (rigid conduit) and thin walled tubing (EMT) in the corresponding sizes.