

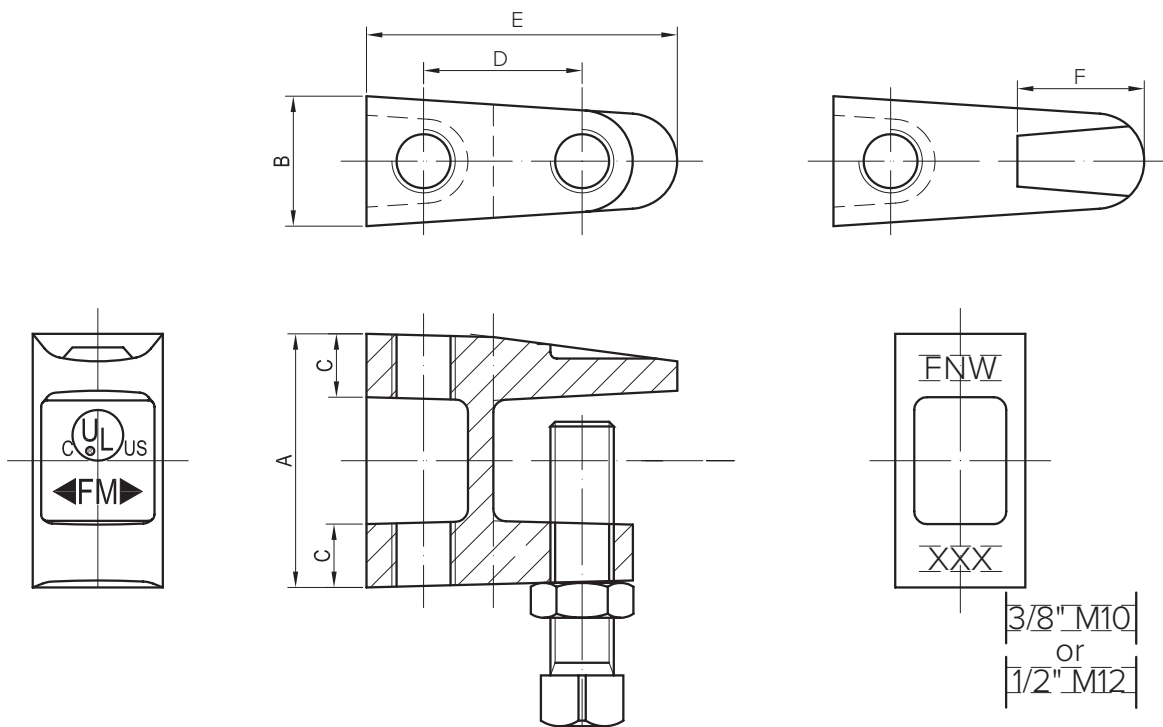
FIGURE 7206 BEAM CLAMPS



UL/FM BEAM CLAMP

FEATURES

- Finish: Plain or Plated
- MSS SP-58, type 19
- Material: Ductile Iron ASTM A395
- Hanger rod not included
- 3/8" Universal Design - Allows for use in an upright and inverted position on the top and bottom flange of beam.



REFERENCE CHART

Catalog Number	ROD SIZE XXX T	A	B	C	D	E	F	WT.	MAX. LOAD (LBS)
FNW7206UPC	3/8" or M10 (plain)	1.57"	0.81"	0.39"	0.98"	1.93"	0.79"	4.96 oz	400 lbs
FNW7206UPD	1/2" or M12 (plain)	1.81"	1.06"	0.47"	1.02"	2.20"	0.87"	8.48 oz	500 lbs
FNW7206UZC	3/8" or M10 (plated)	1.57"	0.81"	0.39"	0.98"	1.93"	0.79"	4.96 oz	400 lbs
FNW7206UZD	1/2" or M12 (plated)	1.81"	1.06"	0.47"	1.02"	2.20"	0.87"	8.48 oz	500 lbs

Note: Do not overtighten the set screw or the clamp can be damaged. The recommended torque for set screw is 60 lbf-in for 3/8" and 125 lbf-in for 1/2".