

PFWSC8871



SINGLE HANDLE LAVATORY FAUCET

Orrs Series

Product Features

- Brass construction
- Ceramic disc cartridge
- Max. flow rate: 1.2 gpm at 60 psi
- 50/50 Pop-up
- Optional deck plate included.
- Meets ASME : A112.18.1
- cUPC/IAPMO listed
- ADA compliant

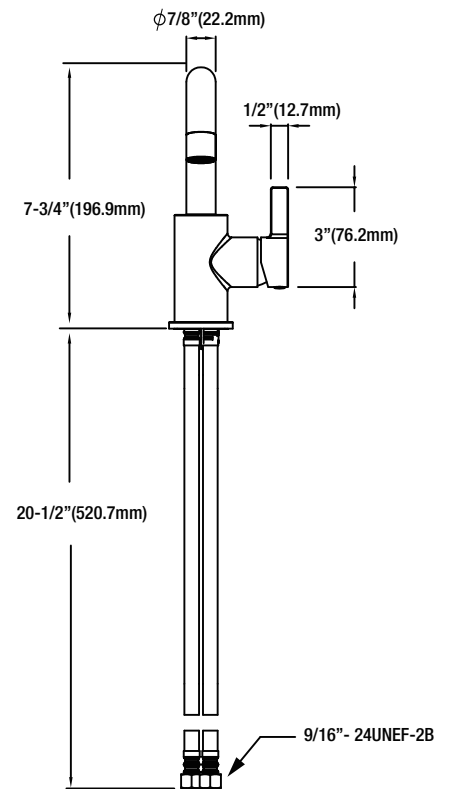
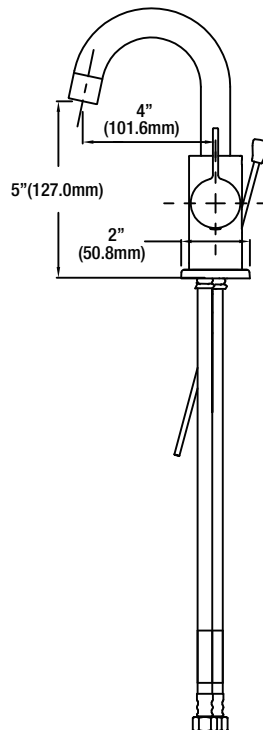
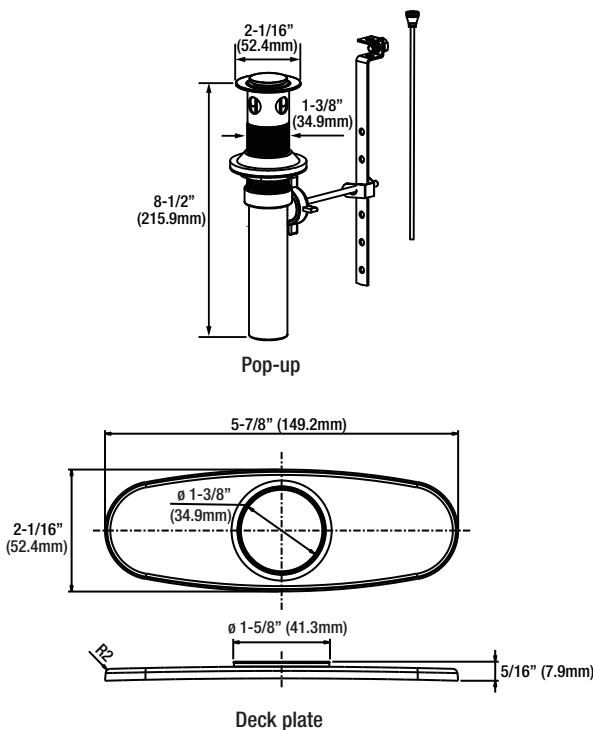
Model Numbers

| | |
|-------------|----------------|
| PFWSC8871CP | Chrome |
| PFWSC8871BN | Brushed nickel |
| PFWSC8871MB | Matte black |



PFWSC8871

Product Specifications



Warranty and Codes

This product comes complete with installation, operating, care and maintenance instructions. This PROFLO faucet carries a limited lifetime warranty when installed in residential applications. The warranty is five years in commercial applications. This product meets ASME: A112.18.1

Distributed Exclusively by Ferguson and Wolsley Canada

