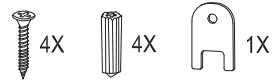
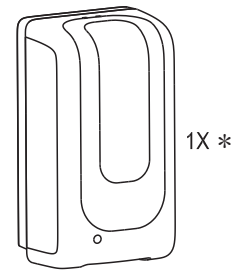
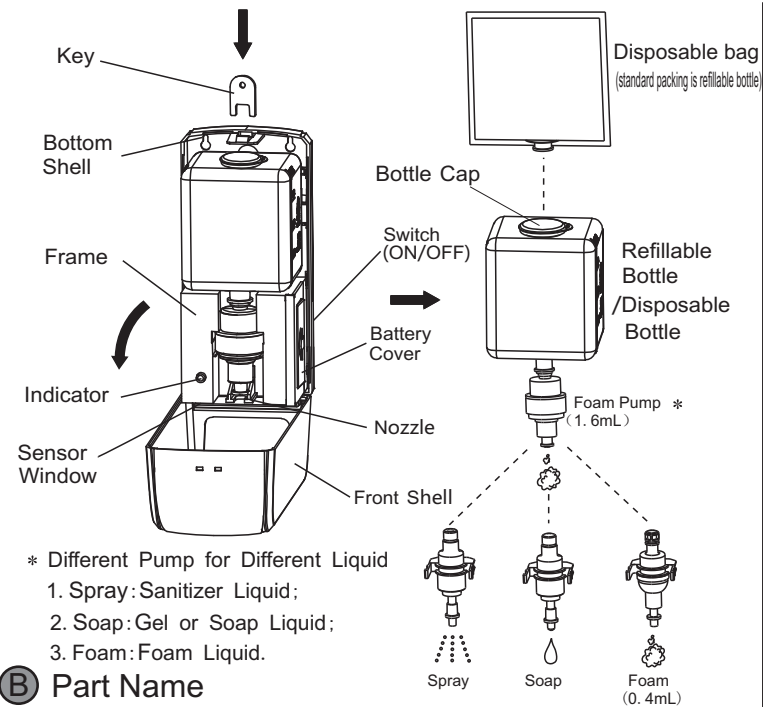


# SENSOR FOAM SOAP DISPENSER INSTALLATION

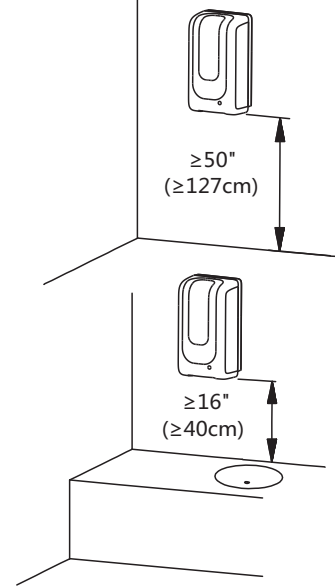


\* we have different shape but same installation.

## A Packing List

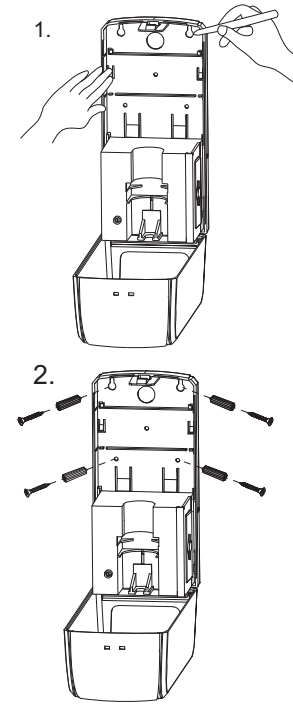


## B Part Name



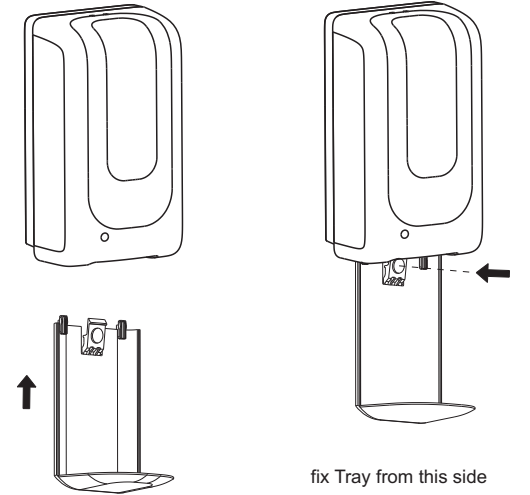
\* keep away from sunshine and humid place

## C Height from Floor/Table

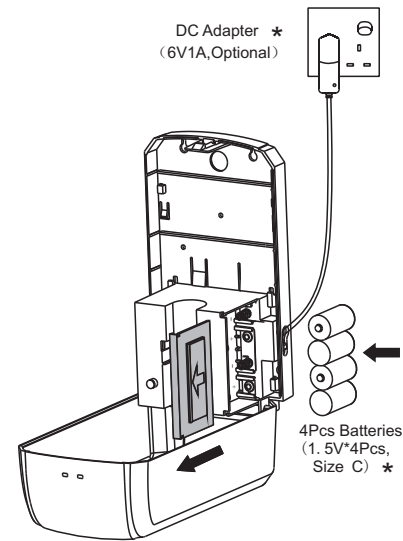


## D Way for Screw

# TRAY INSTALLATION

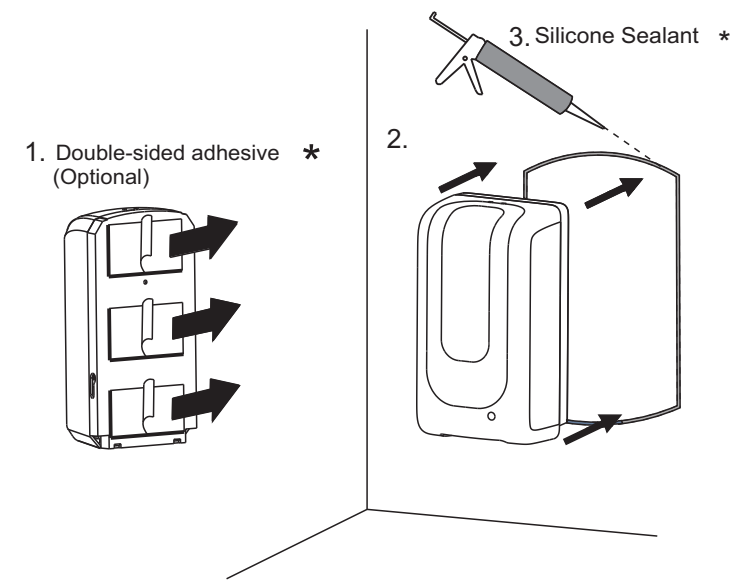


## A Installation



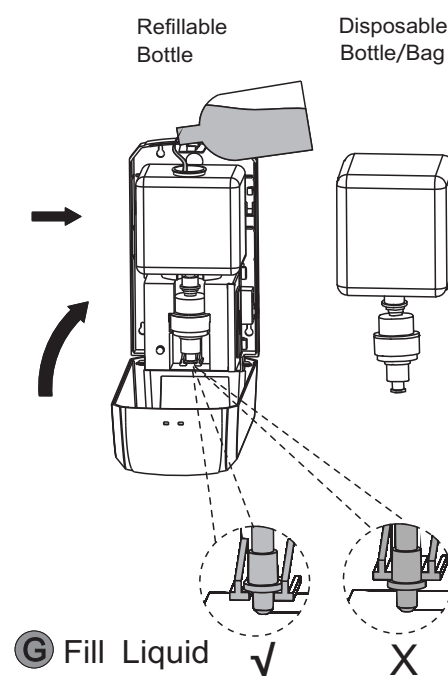
\* The Standard Packing is not including DC Adapter and Batteries

## E Install Batteries/DC Adapter

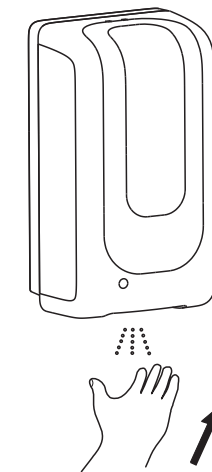


\* The standard Packing is not including Double-sided adhesive and Silicone sealant

## F Installation with Adhesive Backing (no screws)

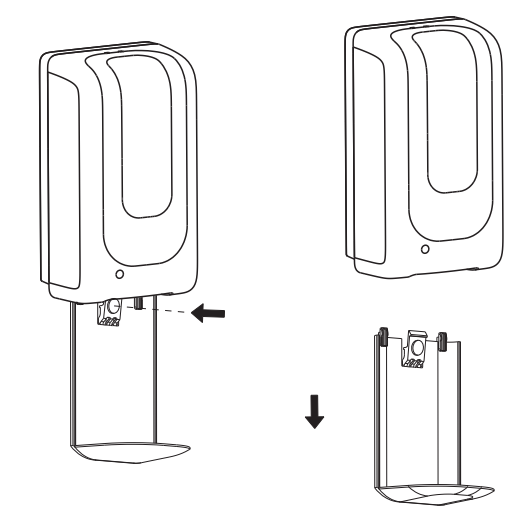


## G Fill Liquid



◦ LED Light:  
 1. green color 5 seconds flush: working condition;  
 2. red color 5 seconds flush: low power for battery and change;  
 3. red color 2 seconds flush: something under sensor and remove it ;  
 ◦ Sensing Distance: 5-12cm

## H Enjoy hand sanitizing



press the circle button to take out tray

## B Take out Tray