



**RF463702**  
**400 series freezer column with ice and water dispenser**  
**Fully integrated**  
**Width 24" (61 cm)**  
**Right-hinged**

**Width 24" (61 cm)**  
**Fully integrated**  
**Stainless steel interior**  
**Integrated automatic ice maker with fixed water connection**  
**Illuminated dispenser for ice cubes, crushed ice and chilled water**  
**Solid aluminium door bins**  
**Net volume 11.3 cu. ft. (320 liters)**  
**Energy Star certified**

**Operation**  
 Electronic precision temperature control with digital temperature display.

**Technical Features**  
 Dynamic cold air distribution with Multi-Flow Air System.  
 Automatic defrosting with defrost water evaporation.  
 Open-door and malfunction warning system.

**Freezer compartment**  
 No-frost technology with fast freezing. Temperature adjustable from +7 °F to -9 °F (-14 °C to -25 °C).  
 4 solid metal shelves, 2 of which are manually adjustable.  
 2 fully extendable drawers with transparent front, 1 of which large, 1 regular.  
 Bright interior lighting with LED sidewall pillars.  
 One gallon door bin.  
 1 door bin with transparent front flap.

**Ice and water dispenser**  
 Illuminated ice and water dispenser. Integrated, with fixed inlet water connection.  
 Ice maker can be switched off independently.  
 Ice cube production approx. 4.2 lb (1.9 kg)/24 h.  
 Ice cubes and crushed ice.  
 Removable ice storage bin with approx. 6.6 lb (3 kg) capacity.  
 Chilled water supply approx. 1.5 litres.

**Planning notes**  
 Flat hinge.  
 Door opening angle of 115°, fixable at 90°.  
 Max. door panel weight 50 lbs.  
 Shut-off valve for water connection must be planned next to the appliance and always be accessible.  
 If the water pressure exceeds 116 psi, connect pressure relief valve between water tap and hose set.  
 Cold water connection required.  
 Electrical location 6" above ground in lower left corner of unit.  
 Water pressure 29 to 116 psi.

**Consumption data**  
 Energy consumption 1.353 kwh/24 h.  
 Energy consumption 493.85 kwh/year.  
 Noise level 39 dB (re 1 pW).

**Rating**  
 Total rating 1.079 kWh/24 h.  
 Total Amps: 15A.  
 120 V / 60 Hz.  
 Connecting cable 90" with plug.  
 Supply hose 118" with 3/4" connection.

**Product Features**  
**Multi-Flow Air Tower**  
 Yes  
**Number of compressors**  
 1  
**Number of independent cooling systems**  
 1  
**Eco Mode**  
 Yes  
**SUPERFREEZE**  
 Yes  
**Number of Door Bins - Freezer**  
 2  
**Adjustable Door Bins - Freezer**  
 No  
**Tilt-Out Door Bins - Freezer**  
 Yes  
**Number of Shelves - Freezer**  
 2  
**Adjustable Door Bins - Freezer**  
 No  
**Shelf Material - Freezer**  
 Metal  
**Door Hinge**  
 Right  
**Reversible Door Hinge**  
 No

**Consumption and connection features**  
**UPC code**  
 825225803126  
**Variant color**  
 Not applicable  
**Panel ready**  
 Installation Type  
 N/A  
**Silence level (dBA)**  
 39  
**Watts (W)**  
 565  
**Current (A)**  
 10  
**Volts (V)**  
 120  
**Frequency (Hz)**  
 60  
**Total annual energy consumption (kWh)**  
 493.8  
**Energy Star® qualified**  
 Yes  
**Approval certificates**  
 CE, ETL, ETL, VDE  
**Power Cord Length**  
 118,1"  
**Plug type**  
 120V-3 prong  
**Appliance dimensions (h x w x d) inch**  
 83 3/4 " x 23 3/4 " x 24"  
**Required cutout size (HxWxD) (in)**  
 84" x 24" x 24 3/4"  
**Appliance Width (in)**  
 23 3/4 "  
**Height (in)**  
 83 3/4 "  
**Depth (in)**  
 24"  
**Product packaging dimensions (HxWxD) (in)**  
 88.97 x 27.55 x 29.52  
**Total unit gross capacity (cu. ft.) - AHAM**  
 11.3  
**Net weight (lbs)**  
 348  
**Gross weight (lbs)**  
 381

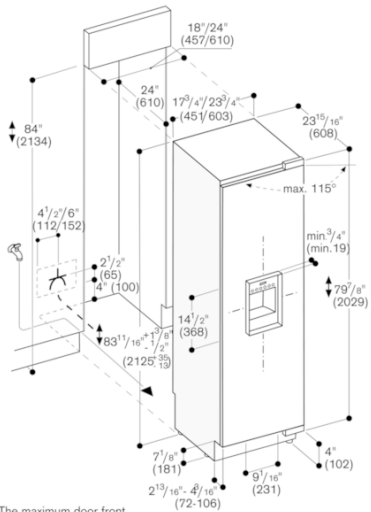
2019-08-29  
 Page 1

**Color Variants**  
**RF463702**  
**Fully integrated**  
**Width 24" (61 cm)**

**Optional accessories**  
**RA450000**  
**Mechanical particle filter**  
**RA450010**  
**Activated charcoal filter for water filter system including saturation indicator**

**Required installation accessories**  
**RA460010**  
**Additional side heating element**

**Installation Accessories**  
**RA422610**  
**Stainless steel door panel with handle**  
**RA425110**  
**Long stainless steel door handle**  
**RA460020**  
**Connecting element for vertically split appliance fronts (for a flush front)**  
**RA461614**  
**Ventilation grill, stainless steel**



The maximum door front measurements are designed for a gap measurement of 3 mm.

