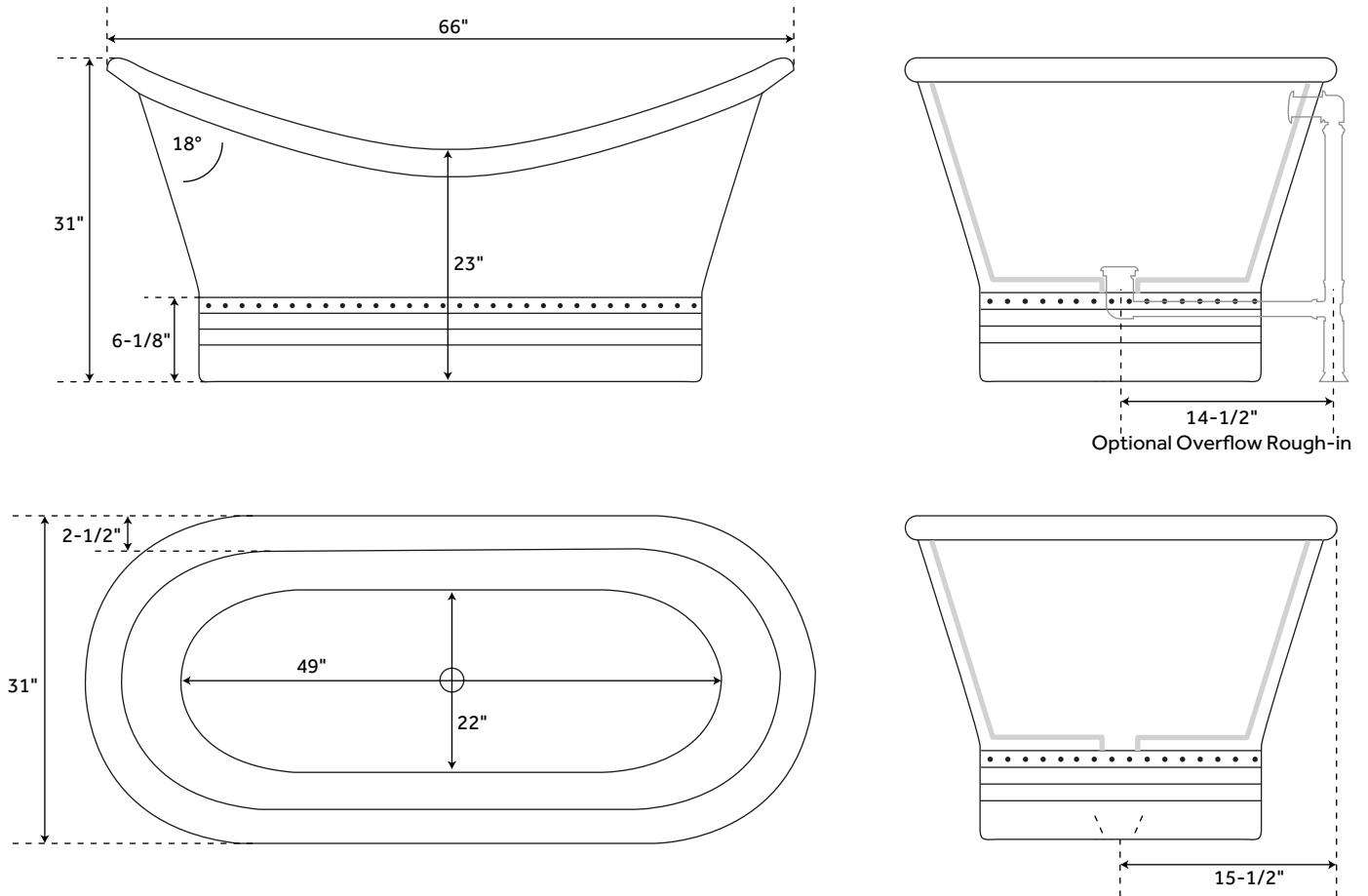


66" PAIGE

HAMMERED COPPER DOUBLE-SLIPPER TUB - NICKEL INTERIOR

SKU: 909274



FEATURES

- Product Finish: Antique Copper Patina
- Overflow Hole: Optional
- Material: Copper
- Length: 66"
- Width: 31"
- Height: 31"
- Slope: 18°
- Exterior Treatment: Hammered
- Interior Treatment: Polished
- Metal Gauge/Thickness: 16 Gauge
- Tap Deck: No
- Drain Included: Optional
- Drain Placement: Center
- Faucet Included: No
- Faucet Drillings: No Drillings
- Water Capacity With Overflow (Gallons): 67
- Water Capacity Without Overflow (Gallons): 81
- Water Depth To Overflow: 14-1/4"
- Water Depth To Rim: 17-1/4"
- Tub Weight Uncrated (lbs): 170
- Tub Weight Crated (lbs): 325

SIGNATURE HARDWARE LIFETIME WARRANTY

See website for warranty information



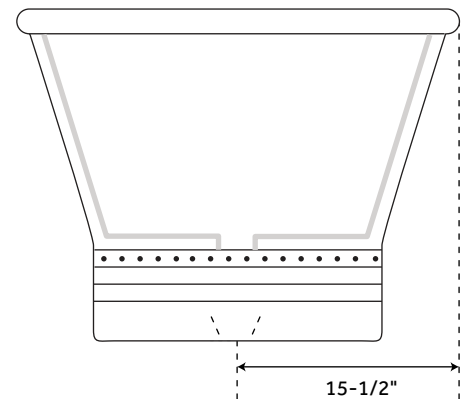
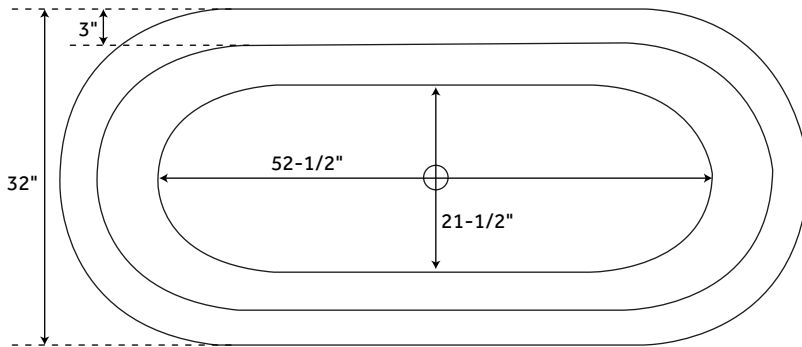
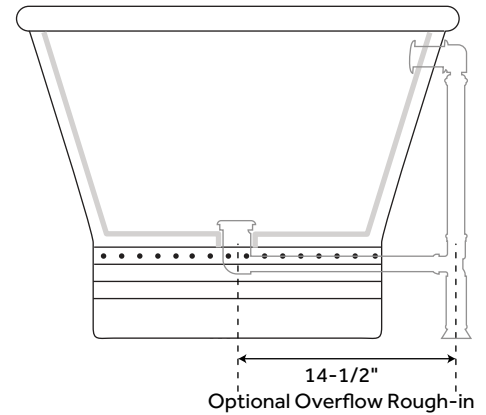
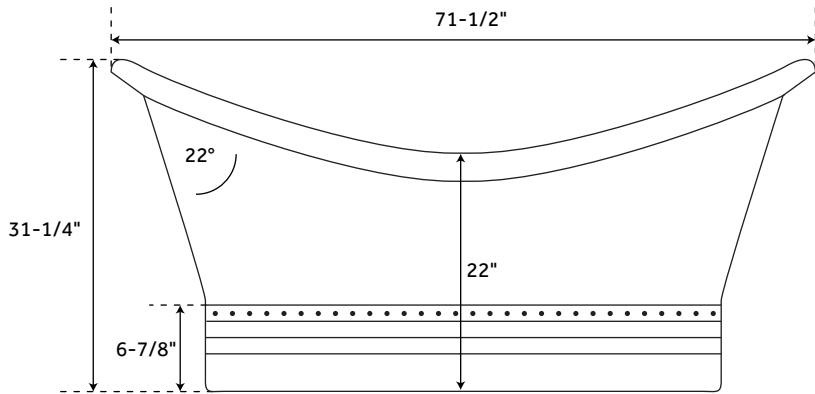
All dimensions and specifications are nominal and may vary. Use actual products for accuracy in critical situations.

REVISED 09/27/2019

72" PAIGE

HAMMERED COPPER DOUBLE-SLIPPER TUB - NICKEL INTERIOR

SKU: 909274



FEATURES

- Product Finish: Antique Copper Patina
- Overflow Hole: Optional
- Material: Copper
- Length: 72"
- Width: 32"
- Height: 31"
- Slope: 22°
- Exterior Treatment: Hammered
- Interior Treatment: Polished
- Metal Gauge/Thickness: 16 Gauge
- Tap Deck: No
- Drain Included: Optional
- Drain Placement: Center
- Faucet Included: No
- Faucet Drillings: No Drillings
- Water Capacity With Overflow (Gallons): 68
- Water Capacity Without Overflow (Gallons): 86
- Water Depth To Overflow: 14"
- Water Depth To Rim: 17-1/2"
- Tub Weight Uncrated (lbs): 170
- Tub Weight Crated (lbs): 325

SIGNATURE HARDWARE LIFETIME WARRANTY

See website for warranty information



All dimensions and specifications are nominal and may vary. Use actual products for accuracy in critical situations.

REVISED 09/27/2019