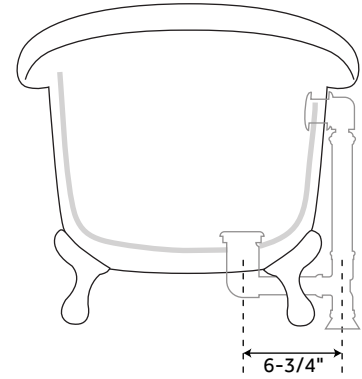
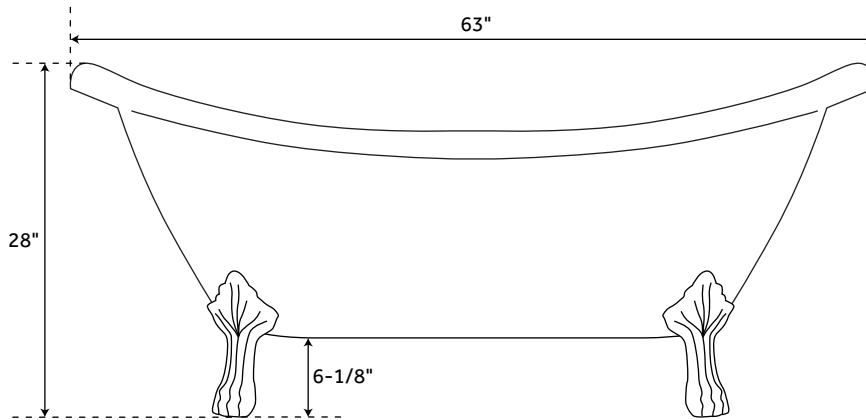


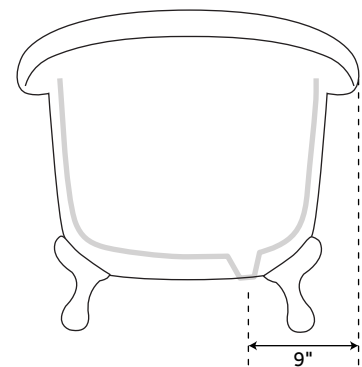
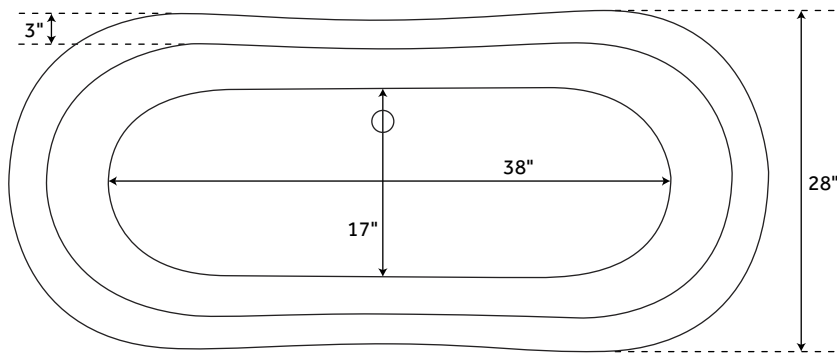
# 63" ROSALIND

ACRYLIC CLAWFOOT TUB - LION PAW FEET

SKU: 924511



Optional Overflow Rough-in



## FEATURES

Design: Traditional  
Product Finish: White  
Features: Custom Painting Available  
Shape: Oval  
Material: Acrylic  
Length: 63"  
Width: 28"  
Height: 28"  
Feet Type: Lion Paw  
Feet Material: Cast Iron  
Drain Included: Optional  
Drain Placement: Offset  
Faucet Included: No  
Built-In Adjusters: Yes  
Water Depth Without/With Overflow:  
15-1/2"/13"  
Water Capacity Without/With Overflow  
(Gallons): 43/36  
Tub Weight Uncrated (lbs): 90  
Tub Weight Crated (lbs): 189

## SIGNATURE HARDWARE LIFETIME WARRANTY

See website for warranty information



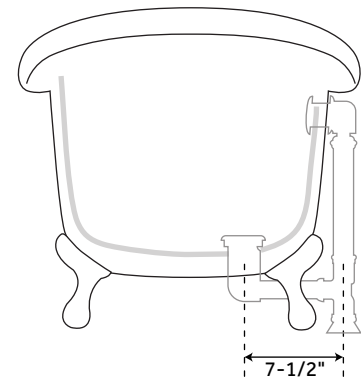
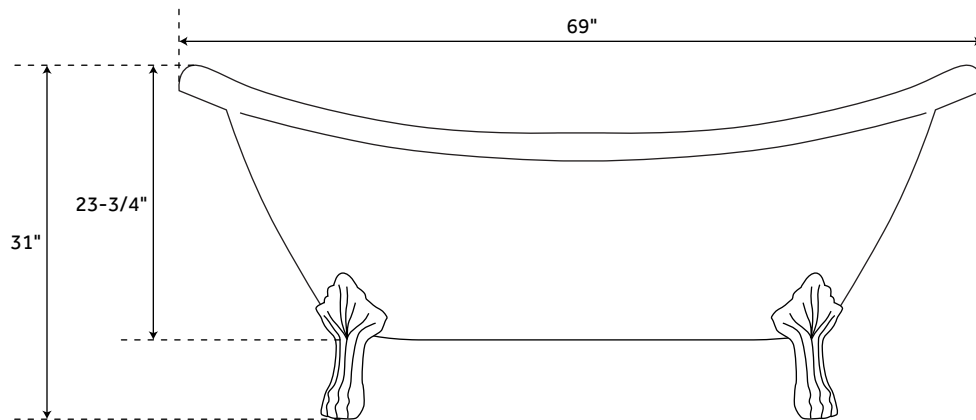
All measurements are approximate. Measurements may vary +/- 1/2".

REVISED 07/22/2019

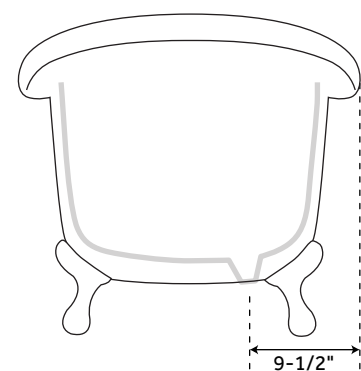
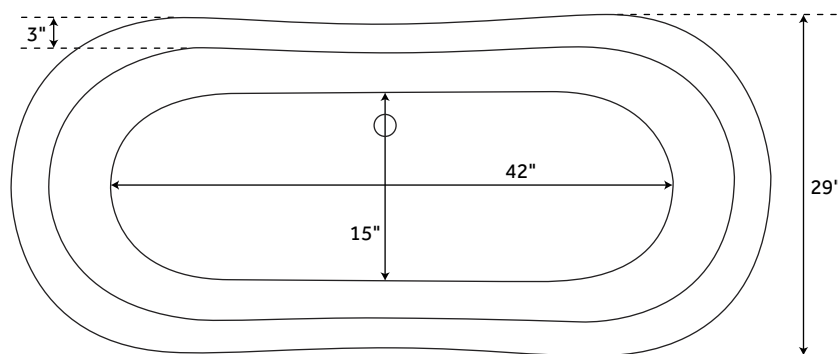
# 69" ROSALIND

ACRYLIC CLAWFOOT TUB - LION PAW FEET

SKU: 924511



Optional Overflow Rough-in



## FEATURES

Design: Traditional  
Product Finish: White  
Features: Custom Painting Available  
Shape: Oval  
Material: Acrylic  
Length: 69"  
Width: 29"  
Height: 31"  
Feet Type: Lion Paw  
Feet Material: Cast Iron  
Drain Included: Optional  
Drain Placement: Offset  
Faucet Included: No  
Built-In Adjusters: Yes  
Water Capacity Without/With Overflow:  
(Gallons): 52/44  
Tub Weight Uncrated (lbs): 104  
Tub Weight Crated (lbs): 197

## SIGNATURE HARDWARE LIFETIME WARRANTY

See website for warranty information



All measurements are approximate. Measurements may vary +/- 1/2".

REVISED 07/22/2019