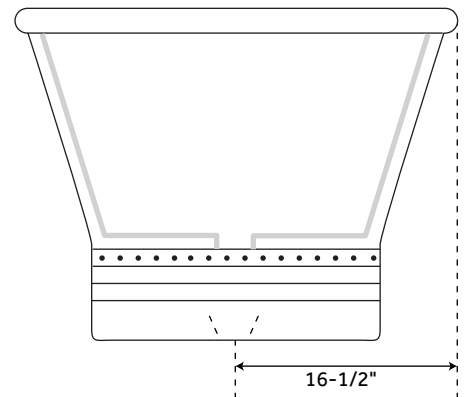
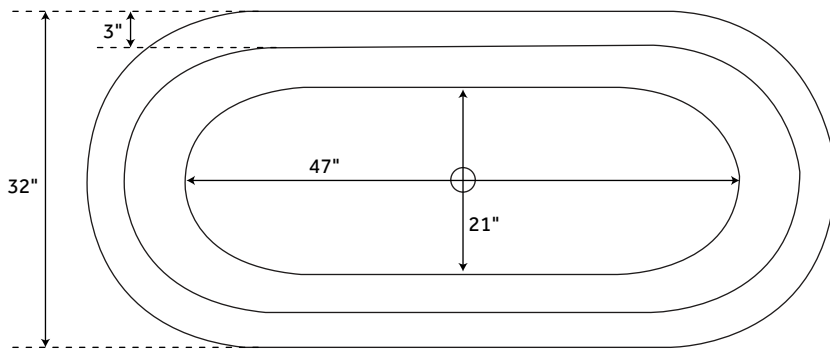
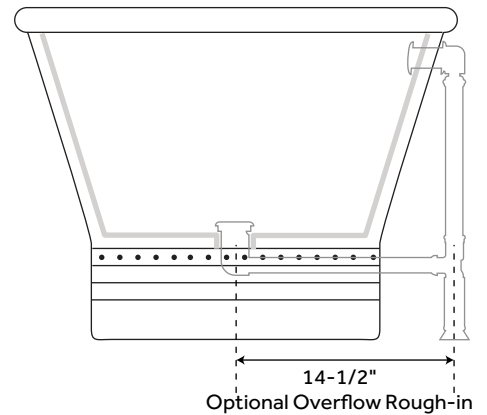
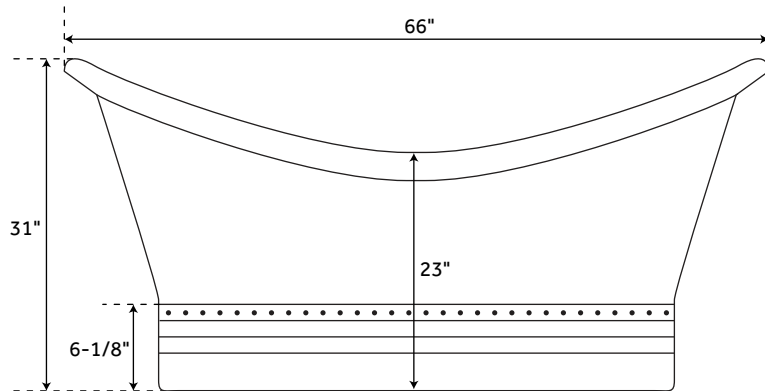


# 66" PAIGE

## HAMMERED COPPER DOUBLE-SLIPPER TUB

SKU: 906215



### FEATURES

- Product Finish: Antique Copper Patina
- Overflow Hole: Optional
- Shape: Oval
- Material: Copper
- Length: 66"
- Width: 32"
- Height: 31"
- Exterior Treatment: Hammered
- Interior Treatment: Hammered
- Metal Gauge/Thickness: 16 Gauge
- Tap Deck: No
- Drain Included: Optional
- Drain Placement: Center
- Faucet Included: No
- Faucet Drillings: No Drillings
- Water Capacity Without Overflow: 74 Gallons
- Water Capacity With Overflow: 63 Gallons
- Water Depth To Top Of Tub: 18"
- Water Depth To Overflow: 15"
- Tub Weight Uncrated (lbs): 170
- Tub Weight Crated (lbs): 280

### SIGNATURE HARDWARE LIFETIME WARRANTY

See website for warranty information



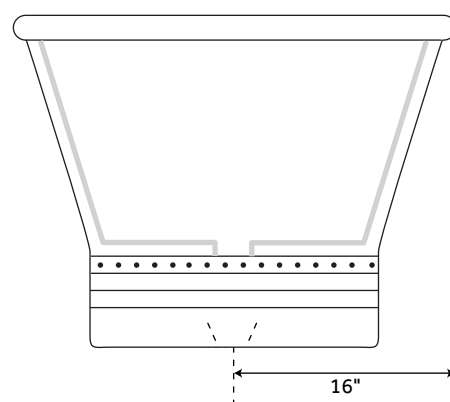
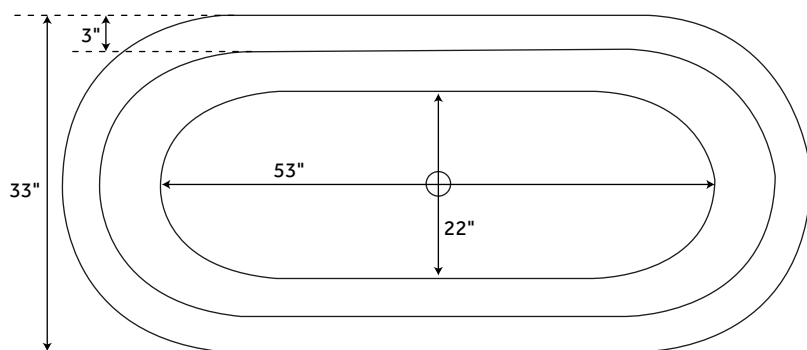
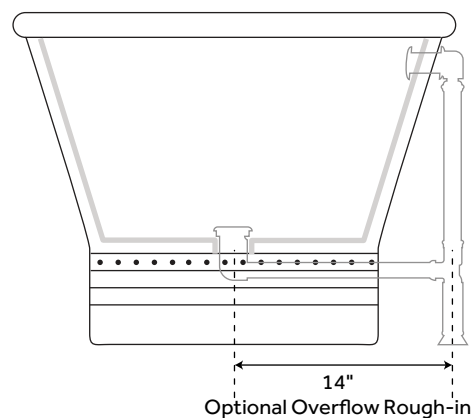
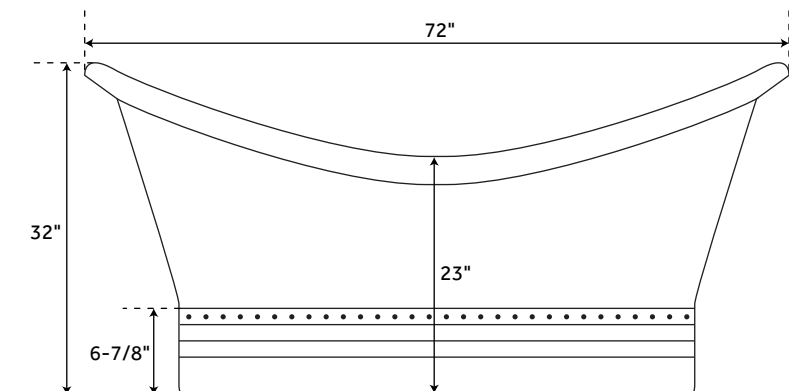
All measurements are approximate. Measurements may vary +/- 1/2".

REVISED 04/20/2019

# 72" PAIGE

## HAMMERED COPPER DOUBLE-SLIPPER TUB

SKU: 906215



### FEATURES

Product Finish: Antique Copper Patina  
Overflow Hole: Optional  
Shape: Oval  
Material: Copper  
Length: 72"  
Width: 33"  
Height: 32"  
Exterior Treatment: Hammered  
Interior Treatment: Hammered  
Metal Gauge/Thickness: 16 Gauge  
Tap Deck: No  
Drain Included: Optional  
Drain Placement: Center  
Faucet Included: No  
Faucet Drillings: No Drillings  
Water Capacity With Overflow: 70 Gallons  
Water Depth To Top Of Tub: 18-1/4"  
Water Depth To Overflow: 15-1/4"  
Tub Weight Uncrated (lbs): 170  
Tub Weight Crated (lbs): 280

### SIGNATURE HARDWARE LIFETIME WARRANTY

See website for warranty information



All measurements are approximate. Measurements may vary +/- 1/2".

REVISED 04/20/2019