

Specifications

PFP80VSSFN SERIES
Van Stone Flange
PVC SCH 80



Product Features

- Working Non-Shock Pressure: 150 psi @ 73°F
- Media Temperature Range: 32°F – 140°F
- Not for use with compressed air or gases
- Socket diameters conform to ASTM D2467
- Bolt hole pattern conforms to ANSI B16.5; ASTM D4024
- Diameter conforms to ASME/ ANSI B16.5 class 150 Standard
- Certified to: NSF/ANSI 372, NSF/ANSI 14, NSF/ANSI/CAN 61

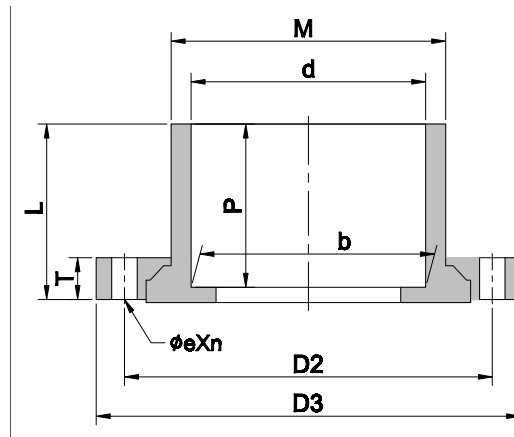


PFP80VSSFNK

Dimensions (inches)

Model No.	Nom. Size	D3	D2	d	b	P	M	T	L	e	n
PFP80VSSFNK	2	6.000	4.750	2.387	2.369	1.500	3.060	0.690	1.578	0.750	4
PFP80VSSFNL	2-1/2	7.000	5.500	2.889	2.868	1.750	3.560	0.810	1.938	0.750	4
PFP80VSSFNM	3	7.500	6.000	3.516	3.492	1.875	4.250	0.880	2.250	0.750	4
PFP80VSSFNP	4	9.000	7.500	4.518	4.491	2.250	5.310	0.880	2.438	0.750	8
PFP80VSSFNU	6	11.000	9.500	6.647	6.614	3.000	7.560	0.940	3.250	0.875	8
PFP80VSSFNX	8	13.500	11.750	8.655	8.610	4.000	9.690	1.060	4.375	0.875	8

All measurements are nominal. Please verify before actual installation.



Warranty and Codes

This PROFLO product carries a 1-year limited warranty.

