

# 1 System Data Sheet

## ProPress Fitting Systems



Viega ProPress may only be pressed onto copper tube in accordance with ASTM B88 or B75. When pressing onto B88 copper tube, types K, L, and M may be used. Tempers O60 and O50, known as “soft copper”, are limited to nominal sizes ½" to 1¼". Temper H58, known as “hard copper”, may be used with nominal sizes ½" to 4".



When pressing onto B75 copper tube, additional considerations apply. See [Viega ProPress Copper Tube Compatibility Tech Data](#).

ProPress fittings are available in elbows, couplings, reducers, tees, reducing tees, threaded adapters, unions, caps, and flanges. All threaded ½" to 2" fittings are Zero Lead bronze.

### Operating Parameters

- Operating Pressure: 200 psi maximum
- Test Pressure: 600 psi maximum
- Operating Temperature: 0°F to 250°F

### Listings and Certificates

- |                 |                                    |
|-----------------|------------------------------------|
| ■ NSF/ANSI 61   | ■ ABS                              |
| ■ NSF/ANSI 372  | ■ CSA Low Lead Content             |
| ■ IAPMO PS-117  | ■ ASME B16.51, B31.1, B31.3, B31.9 |
| ■ UL/ANSI 213   | ■ NFPA 13, 13D, 13R                |
| ■ FM Class 1920 |                                    |
| ■ ICC-ES IC1002 |                                    |

### Compliant With

- ASME B31
- ASTM B75
- ASTM B88
- IAPMO National Standard Plumbing Code (NSPC)
- IAPMO Uniform Mechanical Code (UMC)
- IAPMO Uniform Plumbing Code (UPC)
- ICC International Mechanical Code (IMC)
- ICC International Plumbing Code (IPC)
- ICC International Residential Code (IRC)
- NFPA 13, 13D, and 13R

Contact your local Viega representative for details on local approvals.

### Approved Applications

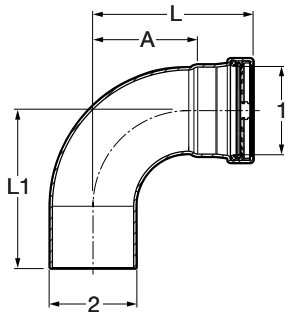
- Hot and cold potable water
- Rainwater/gray water
- Fire sprinkler (175 psi maximum)
- Chilled water
- Hydronic heating (with glycol)
- Low pressure steam (15 psi maximum)
- Ethanol
- Compressed Air
- Non-medical gases
- Vacuum (29.2" Hg maximum @ 68°F)

ProPress fittings are approved for installations in both above and below ground applications. Per code, local inspector approval must be obtained prior to installation below ground.

### Smart Connect® Technology

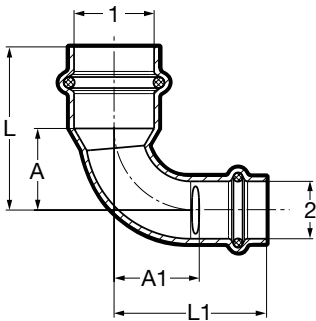
ProPress fittings are manufactured with Viega’s unique Smart Connect technology. Designed into the fitting itself, Viega Smart Connect technology allows identification of an unpressed fitting during pressure testing.

**Viega ProPress 90° Street Elbow P x FTG - Model 0916.1XL**



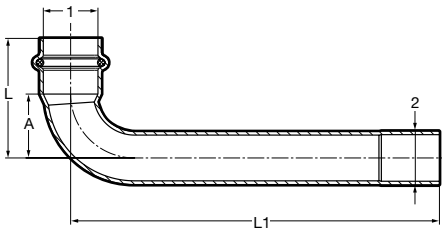
Part No.	Size (in)		A (in)	L (in)	L1 (in)
	1	2			
20638	2½	2½	3.19	4.88	4.80
20643	3	3	3.76	5.73	5.63
20648	4	4	4.90	7.26	7.13

**Viega ProPress 90° Reducing Elbow Copper P x P - Model 2916.3**



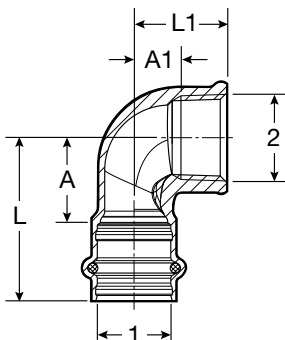
Part No.	Size (in)		A (in)	A1 (in)	L (in)	L1 (in)
	1	2				
77325	¾	½	0.91	0.94	1.81	1.69
77330	1	¾	1.20	1.30	2.11	2.21

**Viega ProPress 90° Extended Street Elbow Copper P x FTG - Model 2947**



Part No.	Size (in)		A (in)	L (in)	L1 (in)
	1	2			
77353	¾	¾	1.02	1.93	5.98

**Viega ProPress 90° Elbow Zero Lead Bronze P x FPT - Model 2914.2ZL**



Part No.	Size (in)		A (in)	A1 (in)	L (in)	L1 (in)
	1	2				
79520	½	¾ FPT	0.94	0.42	1.77	0.83
79525	½	½ FPT	0.94	0.57	1.77	1.10
79530	½	¾ FPT	1.06	0.51	1.89	1.06
79535	¾	½ FPT	1.06	0.65	1.97	1.18
79540	¾	¾ FPT	1.06	0.57	1.97	1.12
79545	1	½ FPT	1.06	0.72	1.97	1.26
79550	1	1 FPT	1.34	0.76	2.24	1.42
79560	1¼	1¼ FPT	1.54	0.89	2.56	1.57
79565	1½	1½ FPT	1.69	1.05	3.11	1.73
79570	2	2 FPT	2.17	1.35	3.74	2.05