

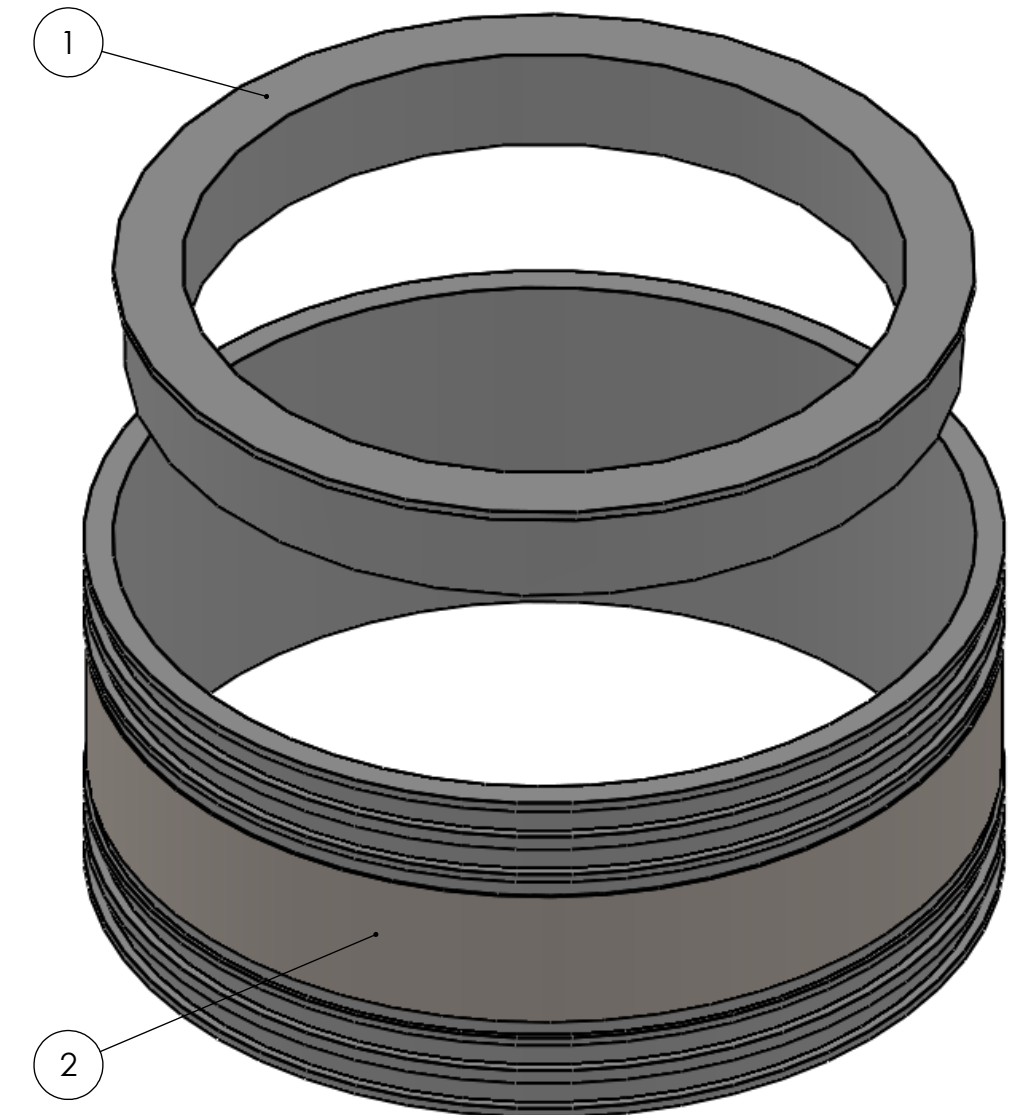
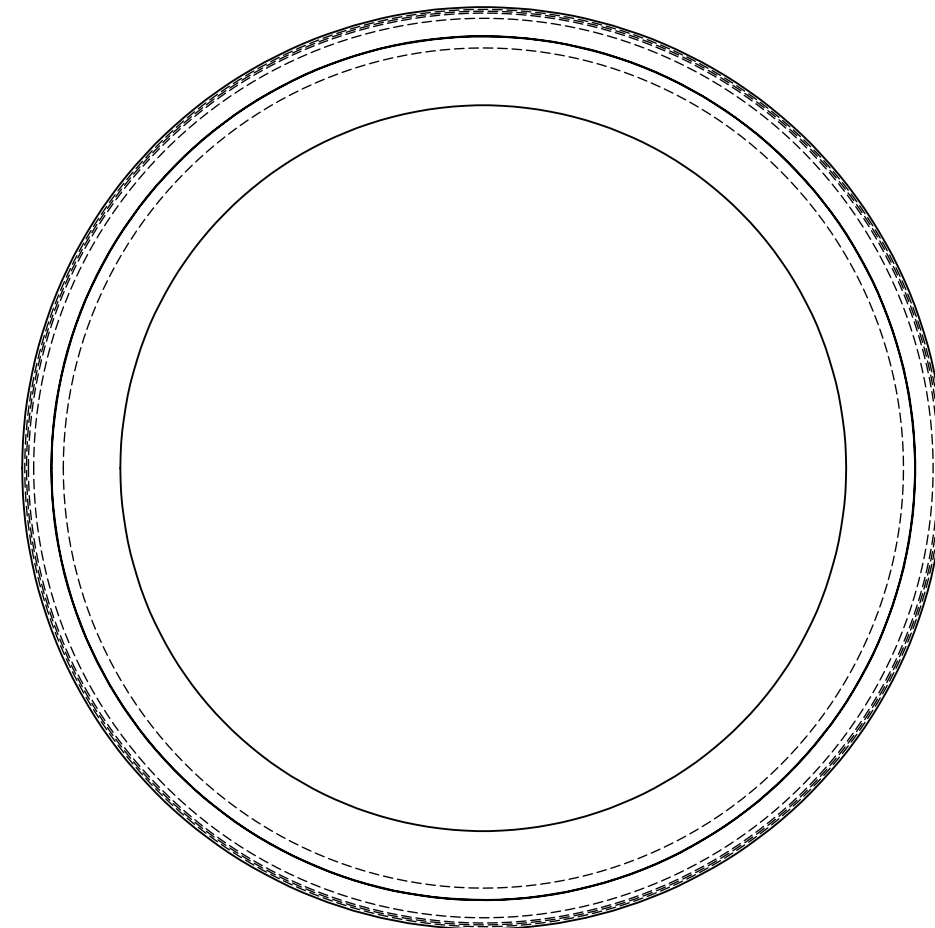
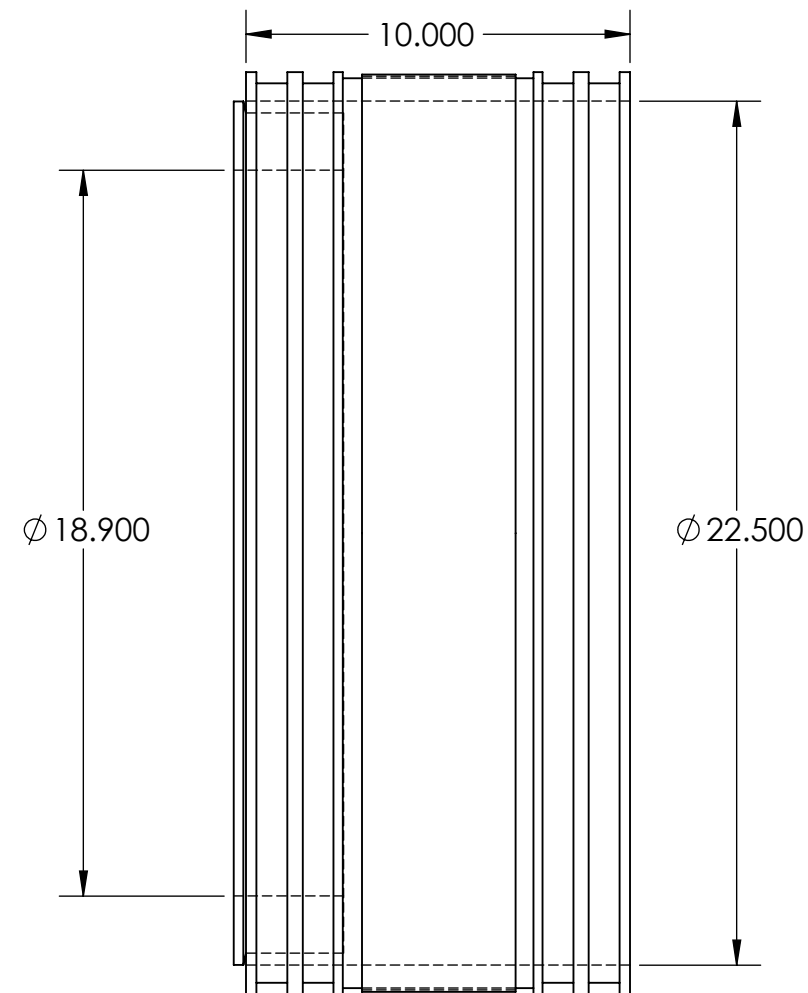


300 S. DAYTON ST.
 DAVISON, MI 48423
 PH: 810-653-9626
 FAX: 810-654-2616

1006-1818

DESCRIPTION:

18" Concrete to 18" PL/CI



Notes

LDC supplied with (8) 184-300 SS band clamps

ITEM NO.	PART NUMBER	DESCRIPTION	QTY.
1	LDCR 1.50 18.90 bushing	Custom welded LDCR	1
2	1004-1818	Custom welded LDC	1

PROPRIETARY AND CONFIDENTIAL
 THE INFORMATION CONTAINED IN THIS
 DRAWING IS THE SOLE PROPERTY OF
 FERNCO, INC. ANY REPRODUCTION IN
 PART OR AS A WHOLE WITHOUT THE
 WRITTEN PERMISSION OF FERNCO, INC.
 IS PROHIBITED.

TOLERANCES:
 Fractional $\pm 1/8"$
 .XX = $\pm .06$
 ANG. = $\pm 3^\circ$
 UNLESS OTHERWISE SPECIFIED

Part Weight		Installation Torque	60 in lbs.	UNITS:	SIZE:	DESIGNER:	SCALE:
Min\Max Tep.	-30/140 Degrees F			INCHES	A	T. Dipzinski	not to scale
Pressure Tested	Gravity Flow	Conforms to ASTM	D5926	3RD ANGLE PROJECTION		CHECKER:	DATE:
Material:	Flexible PVC 60 Duro Shore A			DO NOT SCALE DRAWING			12/16/2013
							SHEET 1 OF 1