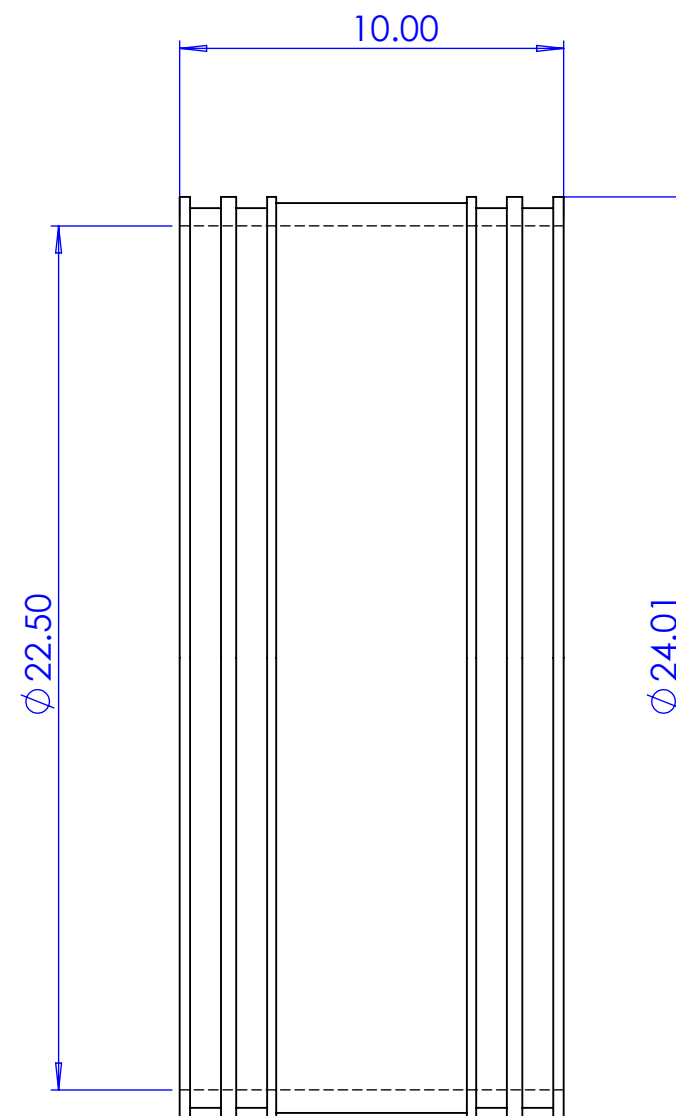
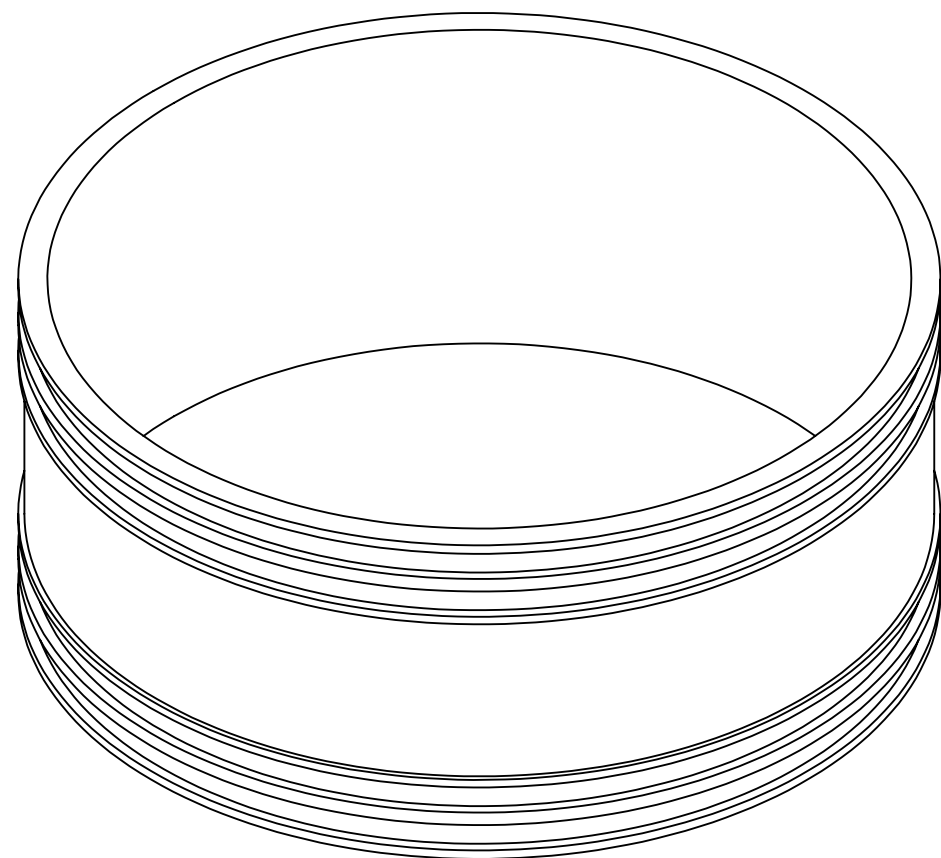




300 S. DAYTON ST.  
 DAVISON, MI 48423  
 PH: 810-653-9626  
 FAX: 810-654-2616

1056-2121

DESCRIPTION:  
 Coupling 21" Cast Iron, Plastic and Steel x 21" Cast  
 Iron, Plastic and Steel.



PROPRIETARY AND CONFIDENTIAL  
 THE INFORMATION CONTAINED IN THIS  
 DRAWING IS THE SOLE PROPERTY OF  
 FERNCO, INC. ANY REPRODUCTION IN  
 PART OR AS A WHOLE WITHOUT THE  
 WRITTEN PERMISSION OF FERNCO, INC.  
 IS PROHIBITED.

TOLERANCES:  
 .X= Fractional  $\pm$   
 .XX=  $\pm .06$   
 ANG.=  $\pm 3^\circ$   
 UNLESS OTHERWISE SPECIFIED

Part Weight	16.98 lbs.	Installation Torque	120 in lbs
Min/Max Temp.	-30/140 Degrees F	Conforms to ASTM	D5926, C1173
Pressure Tested	4.3 PSI	Clamps used	300 Series Stainless
Material	Flexible PVC 60 Duro Shore A	Box Quantity	

UNITS: INCHES  
 SIZE: **A**  
 3RD ANGLE PROJECTION  
 DO NOT SCALE DRAWING

DESIGNER: N. Goddard  
 CHECKER:  
 DATE: 1/8/2016

SCALE: not to scale  
 SHEET 1 OF 1