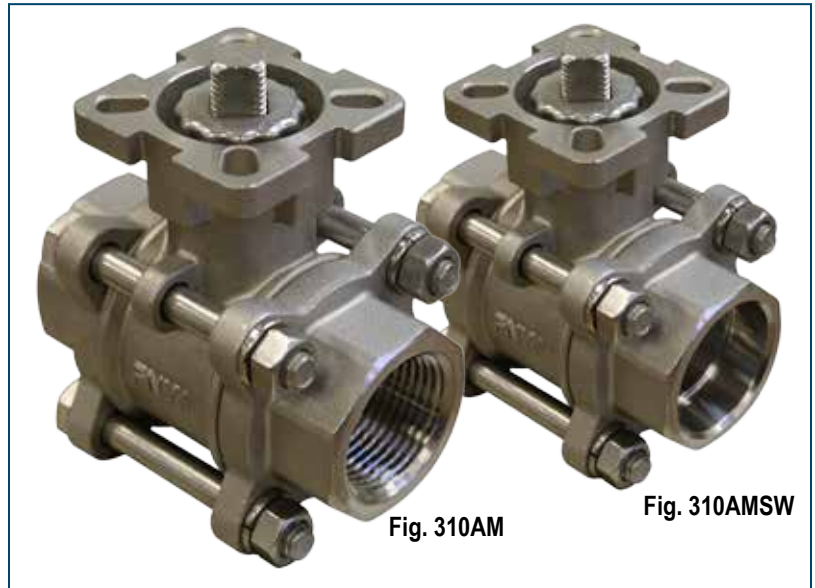


**3 PC FULL PORT 1000 CWP  
w/ ISO MOUNTING PAD**

**Features:**

- 1000 PSI CWP Non-Shock
- 150 PSI WSP
- Full Port
- Blow-out Proof Stem
- Live-Loaded Packing
- Anti-static Design
- Investment Cast Body
- RTFE Seats
- End Connections
  - Threaded
  - Socket Weld
- 4" With Handle Standard (Lock-out Style)
- Direct Mounting Pad
- Vacuum rated to 26.967"Hg (75 Torr)\*
- Vented Ball
- Manufactured Silicone Free
- Optional Locking Handle Kits (1/4"~4")



**Standards:**

- Design: ASME B16.34, MSS SP-110  
NACE MRO103 and MRO175 Approved
- End Connections:
  - NPT - ASME B1.20.1
  - SW - ASME B16.11
- Mounting Pad: ISO 5211
- Seat/Shell Test: MSS SP-110

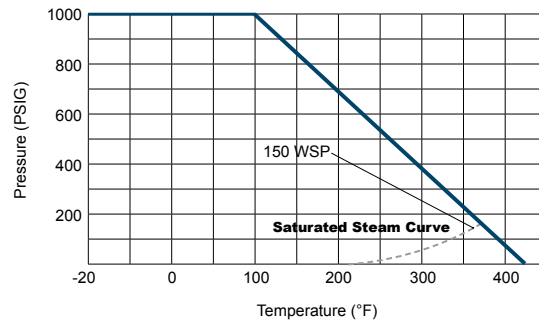
\* Vacuum measurements are often made in inches of mercury below atmospheric pressure. The values calculated here assume standard

Accessories



Locking Handle Kits (1/4"~3")

4" Includes Locking Handle



**Figure Number Matrix**

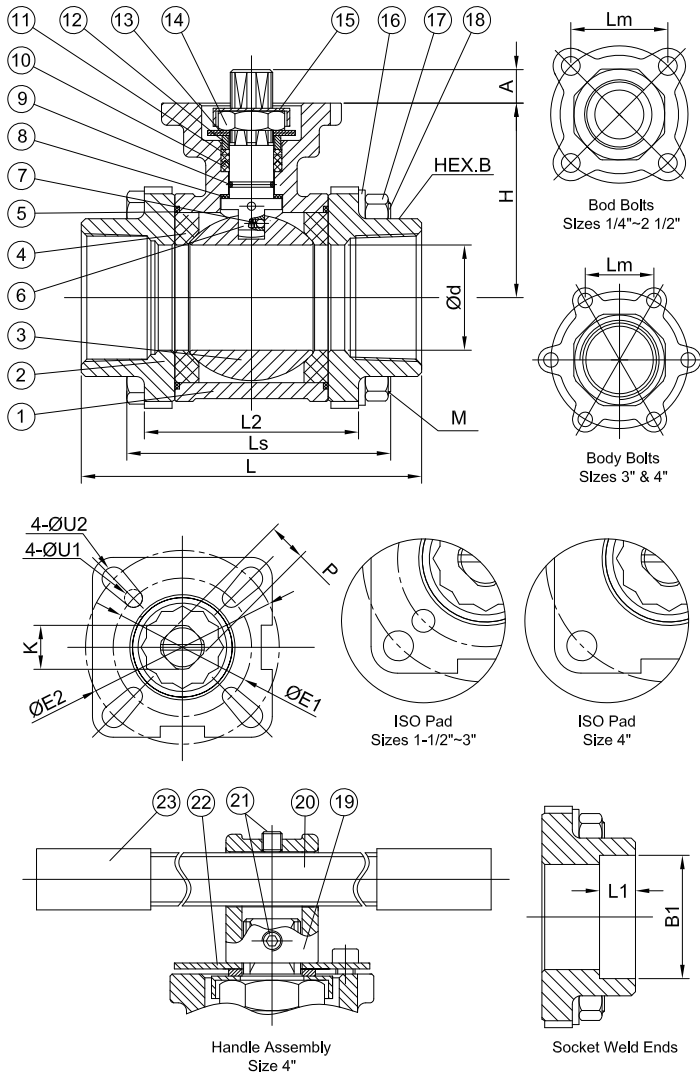
FNW 310AM		Ends	Size
END CODE		SIZE CODE	
Blank = Threaded NPT	1/4 = B	1 = G	2-1/2 = L
SW = Socket Weld	3/8 = C	1-1/4 = H	3 = M
	1/2 = D	1-1/2 = J	4 = P
	3/4 = F	2 = K	

**Kit Codes (Order Separately)**

FNW 310AM		Kit	Size
KIT TYPE		SIZE CODE	
Locking Handle = LHK		1/4"~3/4" = BF	
		1"~1-1/4" = GH	
		1-1/2"~2" = JK	
		2-1/2"~3" = LM	
		4" = P	

## 3 PC FULL PORT 1000 CWP

### Standard Materials



Ref. No.	Description	Material	Qty
1	Body	ASTM A351 Gr. CF8M Stainless	1
2	End Cap	NPT	2
		SW	
3	Ball	316SS Stainless	1
4	Seat	RTFE	2
5	Body Gasket	PTFE	2
6	Stem	316SS Stainless	1
7	Anti-Static Device	316SS Stainless	2
8	Thrust Washer	PTFE	1
9	O-Ring	FKM	1
10	V-Ring Packing	PTFE	1 Set
11	Bushing	50% Stainless + 50% PTFE	1
12	Gland	316SS Stainless	1
13	Belleville Washer	301SS Stainless	2
14	Stem Nut	ASTM A194-8 Stainless	1
15	Stop-Lock-Cap	304SS Stainless	1
16	Bolt Washer	1/4"~2"	4
		2-1/2"	8
		3"~4"	12
17	Bolt Nut	1/4"~2"	4
		2-1/2"	8
		3"~4"	12
18	Body Bolt	1/4"~3"	4
		4"	6
19	Handle Adapter 4"	ASTM A351 Gr. CF8 Stainless	1
20	Pipe Handle 4"	ASTM A53 Steel + Zinc Plating	1
21	Set Screw 4"	ASTM A193-B8 Stainless	1
22	Triangle Stopper 4"	420SS Stainless	1
23	Handle Sleeve 4"	Vinyl Plastic	1

### Dimensions (inches)

SIZE	Ød	L	Lm	H	P	A	ØE1	ØE2	U1	U2	K (UNF)	Ls	L2	M (UNC)	B	L1	ØB1
1/4	0.42	2.95	1.30	1.65	0.35	0.35	1.42	1.65	0.24	0.24	7/16-20	2.23	1.71	1/4-20	1.10	0.39	0.56
3/8	0.50	2.95	1.30	1.65	0.35	0.35	1.42	1.65	0.24	0.24	7/16-20	2.23	1.71	1/4-20	1.10	0.39	0.70
1/2	0.59	2.95	1.30	1.65	0.35	0.35	1.42	1.65	0.24	0.24	7/16-20	2.23	1.71	1/4-20	1.10	0.39	0.86
3/4	0.79	3.15	1.52	1.91	0.35	0.35	1.42	1.97	0.24	0.28	7/16-20	2.44	1.82	5/16-18	1.36	0.51	1.07
1	0.98	3.54	1.76	2.30	0.43	0.43	1.65	1.97	0.24	0.28	9/16-18	2.79	2.10	5/16-18	1.65	0.51	1.34
1-1/4	1.26	4.33	2.13	2.48	0.43	0.43	1.65	2.76	0.24	0.35	9/16-18	3.37	2.68	3/8-16	2.05	0.63	1.69
1-1/2	1.50	4.72	2.42	2.81	0.55	0.55	1.97	2.76	0.28	0.35	3/4-16	3.81	3.05	3/8-16	2.30	0.63	1.93
2	1.97	5.51	2.95	3.08	0.55	0.55	1.97	2.76	0.28	0.35	3/4-16	4.36	3.59	3/8-16	2.81	0.67	2.42
2-1/2	2.50	7.28	3.62	3.94	0.67	0.67	2.76	4.02	0.35	0.43	7/8-14	5.91	4.36	9/16-12	3.41	0.67	2.91
3	2.99	8.07	2.93	4.27	0.67	0.67	2.76	4.02	0.35	0.43	7/8-14	6.50	4.93	9/16-12	3.98	0.67	3.54
4	3.95	9.45	3.76	5.51	0.87	0.87	4.02	4.02	0.43	1-1/8-12	7.87	6.26	5/8-11	5.20	0.79	4.53	

### Cv, Torque & Weight

Size	Cv	Torque (in-lbs)	Wt (lbs)
1/4	15	60	1.01
3/8	15	60	1.03
1/2	18	66	1.05
3/4	36	80	1.73
1	48	146	2.33
1-1/4	93	242	4.30
1-1/2	165	344	5.21
2	207	503	9.09
2-1/2	450	631	17.31
3	780	1337	24.36
4	1360	1959	51.00

DOC: FNW310AM11 Ver. 07/2018

© 2018 - FNW. All rights reserved.

The FNW logo is a trademark of Ferguson Enterprises, Inc., PL Sourcing, PO Box 2778, Newport News, VA 23609

The contents of this publication are presented for information purposes only, and while effort has been made to ensure their accuracy, they are not to be construed as warranties or guarantees, expressed or implied, regarding the products or services described herein or their use or applicability. All sales are governed by our terms and conditions, which are available on request. We reserve the right to modify or improve the designs or specifications of our products at any time without notice. Always verify that you have the most recent product specifications or other documentation prior to the installation of these products.