

# FIGURE 600B STAINLESS STEEL BALL VALVES



## 2 PC FULL PORT 150# FLANGED

### FEATURES

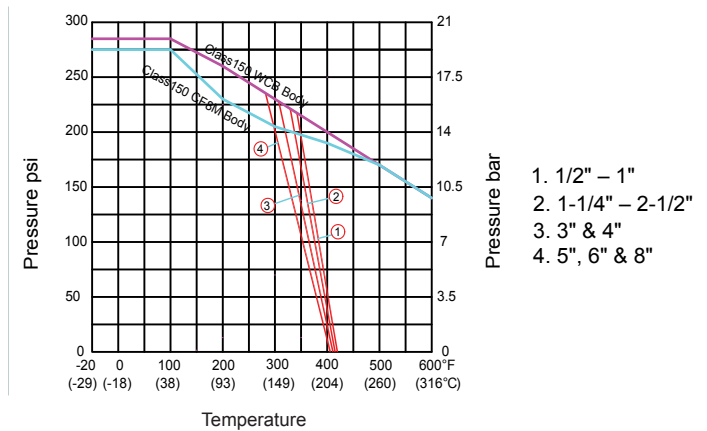
- Full port
- 150 WSP
- Flanged connection
- TFM seats
- Stainless steel trim
- Anti static design
- Blowout-proof stem
- Investment cast body
- Adjustable packing
- Locking device
- Actuator mounting pad
- Manufactured silicone free
- Sizes 1/2" – 8"



### PRODUCT SPECIFICATIONS

#### Standards

- Design: ASME B16.34
- Pressure Test: API 598
- Flange Dimensions: ASME B16.5
- Materials: ASME B16.34
- Mounting Pad: ISO 5211
- NACE MR-01-75 Approved



### FIGURE NUMBER MATRIX

FNW 600B	F	Size
	Fire Safe	Size Code
		D = 1/2"      L = 2-1/2"
		F = 3/4"      M = 3"
		G = 1          P = 4"
		J = 1-1/2"    U = 6"
		K = 2"        X = 8"

### REPAIR KITS (ORDER SEPARATELY)

FNW 600BRKTFM	Size
	Size Code
	D = 1/2"      L = 2-1/2"
	F = 3/4"      M = 3"
	G = 1          P = 4"
	J = 1-1/2"    U = 6"
	K = 2"        X = 8"

### CV & WEIGHT TORQUE (IN-LBS)

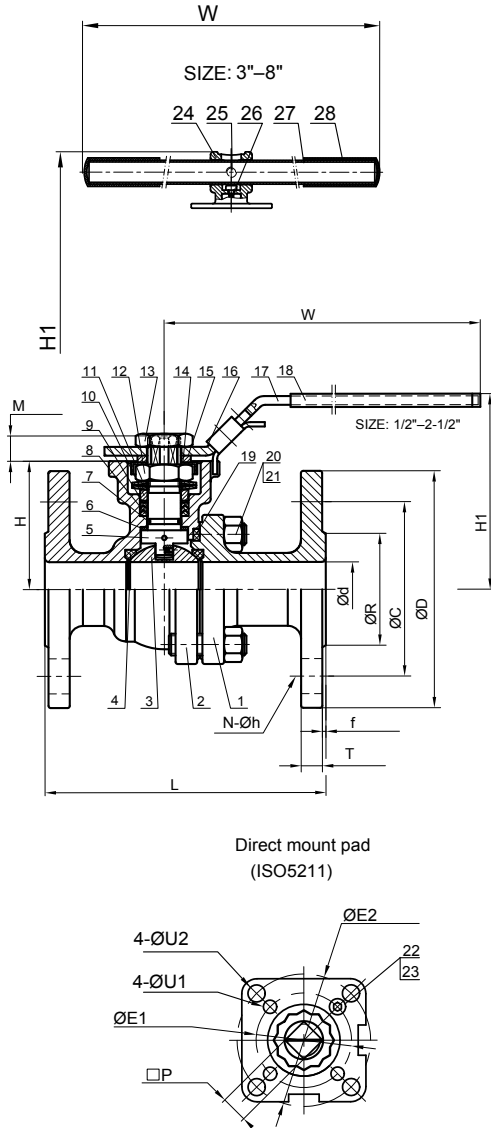
Size	Cv	Wt (lbs)	Size/ΔP	75 psig	150 psig	300 psig
				5 Bar	10 Bar	20 Bar
1/2"	18	3.52	1/2"	53	53	53
3/4"	36	4.71	3/4"	62	62	62
1"	48	6.34	1"	97	97	106
1-1/2"	165	12.98	1-1/2"	186	186	212
2"	207	18.66	2"	265	283	310
2-1/2"	450	30.14	2-1/2"	425	442	478
3"	780	38.61	3"	690	699	788
4"	1360	65.52	4"	1,062	1,071	1,186
6"	2600	163.00	6"	2,973	2,982	3,310
8"	4200	282.00	8"	3,929	4,186	4,743

Note: 30% safety factor is recommended when sizing actuator.

# FIGURE 600B STAINLESS STEEL BALL VALVES



2 PC FULL PORT 150# FLANGED



## STANDARD MATERIALS

Ref #	Description	Material
1	End Cap	CF8M
2	Body	CF8M
3	Ball	CF8M
4	Ball Seat	TFM1600+20%GF
5	Stem (Anti-Static Device)	316
6	Thrust Washer	PTFE
7	O-Ring	FKM
8	Packing	PTFE
9	Bushing	50%SS+50%PTFE
10	Gland	316
11	Belleville Washer	301
12	Stem Nut	A194-8
13	Handle Nut (1/2"-2-1/2")	304
14	Stop-lock-cap	304
15	Handle Gland	304
16	Lock Device (1/2"-2-1/2")	304
17	Handle (1/2"-2-1/2")	304
18	Handle Sleeve (1/2"-2-1/2")	304
19	Body Gasket	PTFE
20	Bolt Nut	A194-8
21	Bolting	A193-B8
22	Stop Bolt	A2-70
23	Stop Nut	A2-70
24	Handle Adapter (3"-8")	CF8
25	Set Screw (3"-8")	A2-70
26	Bolting (3"-8")	A2-70
27	Pipe Handle (3"-8")	A53+Zn Plated
28	Handle Sleeve (3"-8")	Vinyl Plastic

## DIMENSIONS

Size	d	L	R	D	C	T	f	N	h	H	H1	M	P	U1	U2	E1	E2	W	ISO 52111	Torque (in-lbs)	Weight (lbs)
1/2"	0.59	4.25	1.38	3.50	2.38	0.31	0.06	4	5/8	1.93	3.11	0.30	0.354	0.24	0.24	1.42	1.65	5.77	F03-F04	57	3.52
3/4"	0.79	4.62	1.69	3.88	2.75	0.34	0.06	4	5/8	2.09	3.31	0.35	0.354	0.24	0.28	1.42	1.97	5.77	F03-F05	69	4.71
1"	0.98	5.00	2.01	4.25	3.12	0.38	0.06	4	5/8	2.32	3.54	0.43	0.433	0.24	0.28	1.65	1.97	6.95	F04-F05	115	6.34
1-1/2"	1.50	6.50	2.88	5.00	3.88	0.50	0.06	4	5/8	2.99	4.33	0.55	0.551	0.28	0.35	1.97	2.76	7.75	F05-F07	218	12.98
2"	1.97	7.00	3.62	6.00	4.75	0.56	0.06	4	3/4	3.23	4.53	0.55	0.551	0.28	0.35	1.97	2.76	7.75	F05-F07	334	18.66
2-1/2"	2.50	7.50	4.12	7.00	5.50	0.62	0.06	4	3/4	4.02	5.91	0.67	0.669	0.35	0.43	2.76	4.02	10.5	F07-F10	517	30.14
3"	2.99	8.00	5.00	7.50	6.00	0.69	0.06	4	3/4	4.41	6.93	0.67	0.669	0.35	0.43	2.76	4.02	11.9	F07-F1	828	38.61
4"	3.94	9.00	6.19	9.00	7.50	0.88	0.06	8	3/4	5.51	8.31	0.87	0.866	non	0.43	non	4.02	15.8	F10	1,265	65.52
6"	5.91	15.5	8.50	11.0	9.50	0.94	0.06	8	7/8	7.99	11.18	1.06	1.063	0.55	non	4.92	non	31.6	F12	3,520	163.00
8"	7.97	18.0	10.63	13.5	11.75	1.06	0.06	8	7/8	9.96	13.15	1.06	1.063	0.55	non	4.92	non	31.6	F12	4,947	282.00