

521 Brass Check Valve • Spec Sheet



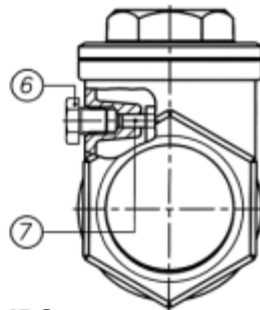
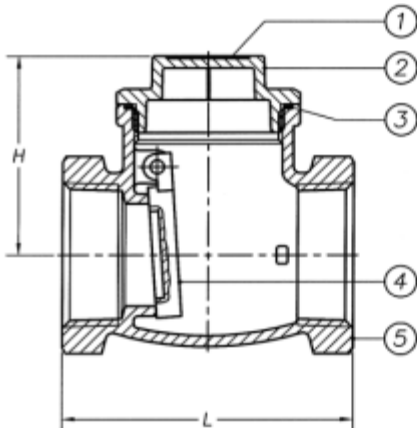
FEATURES & BENEFITS

- 200 WOG
- 125 SWP
- Cast Brass Body
- Swing Type
- 180°F Working Temperature
- Threaded Ends Comply with ANSI B2.1 3/8" - 4"
- Solder Ends Comply with ANSI B16.18 1/2" - 4"
- Valves are Tested in Accordance with MSS-SP-80 & MSS-SP-82

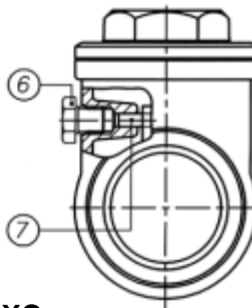
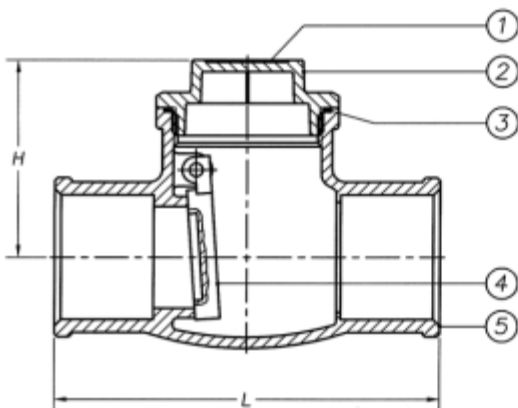
Application: Commercial, Light Industrial for Water, Oil, Gas or Steam.

MATERIAL SPECIFICATIONS

No.	Part	Material
1	Name Plate	Aluminum A1100
2	Cap	Brass B584 C85710
3	Packing	Fibre "H"
4	Disc	Brass B584 C85710
5	Body	Brass B584 C85710
6	Bolt	Brass B16 C36000
7	Pin	Brass B124 C37700



IPS



CXC

DIMENSIONS

Size	H	L (IPS)	L (CXC)	Weight (lbs)
3/8"	1.42	2.09	-	.39
1/2"	1.42	2.09	2.40	.42
3/4"	1.56	2.36	3.15	.55
1"	1.77	2.62	3.51	.75
1-1/4"	2.07	3.19	4.16	1.34
1-1/2"	2.17	3.55	4.57	1.69
2"	2.74	4.22	5.48	2.64
2-1/2"	3.09	5.14	6.90	4.8
3"	3.80	5.77	7.68	6.87
4"	4.26	6.84	9.48	11.36



Global sourcing. National compliance. Local service.

CALIFORNIA 5595 Fresca Dr., La Palma CA 90623
TEXAS 1150 Silber Rd., Houston TX 77055
ILLINOIS 278 Windy Point Dr., Glendale Heights, IL 60139
GEORGIA 113 Industrial Blvd., Americus, Georgia 31709
NEW YORK PO Box 27, Rt.22, Brewster NY 10509
 WEB: www.matco-norca.com

• Phone: 866-532-8306 • Fax: 866-532-8307
 • Phone: 800-935-5456 • Fax: 713-680-2999
 • Phone: 844-412-5068 • Fax: 800-640-2252
 • Phone: 800-433-7526 • Fax: 800-533-5134
 • Phone: 800-431-2082 • Fax: 845-278-9056
 EMAIL: mail@matco-norca.com