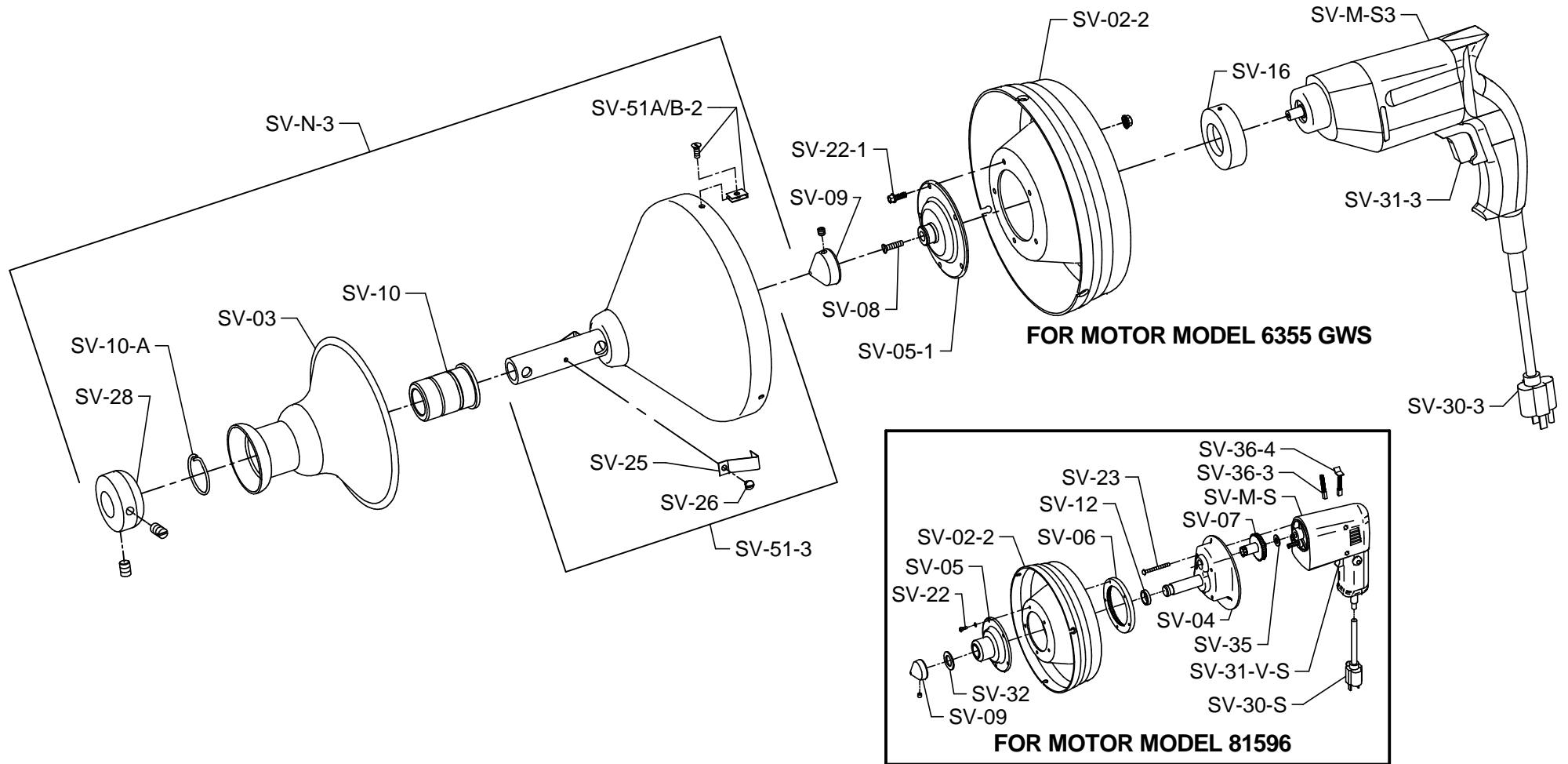


SUPER-VEE PARTS LIST

ITEM NO.	CATALOG NO.	DESCRIPTION	ITEM NO.	CATALOG NO.	DESCRIPTION
141500	SV-M-S	Skil Variable Speed Motor #81596	136030	SV-30-3	Cord Set for Motor #6355-GWS
141510	SV-M-S3	Skil Variable Speed Motor #6355-GWS	141355	SV-30-S/220	Cord Set for 220/50 Motor
141507	SV-M-SC12	Cordless Variable Speed Motor - Discontinued	141355	SV-30-B/220	Cord Set for Bosch 220/50 Motor
141518	SV-M-B/220	Bosch Variable Speed 220/50 Motor	136100	SV-31-V-S	Trigger Switch Assembly for Motor #81596
141023	SV-N-3	Complete Super-Vee Front Assembly	136090	SV-31-3	Trigger Switch Assembly for Motor #6355-GWS
141040	SV-51-1	Container Front - Includes SV-51-A & SV-51-B-1 (Ser. #AS19205 thru AS57101)	141380	SV-31-V-S/220	Trigger Switch Assembly for 220/50 Motor
141070	* SV-51-3	Container Front - Includes SV-51-A & SV-51-B-1 (Ser. #AS57102 & Up)	143580	SV-31-V-B/220	Trigger Switch Assembly for Bosch 220/50 Motor
141050	SV-51-A/B-1	Set of 3 Thumb Nuts, Bolts & Nuts (Ser. #AS19205 thru AS57101)	141390	SV-32	Felt Washer
141060	SV-51-A/B-2	Set of 3 "U" Nuts & Flat Head Screws (Ser. #AS57102 & Up)	141395	SV-33	Armature for Motor #81596
141115	SV-02-1	Container Back - Discontinued (Replace w/SV-51-3 & SV-02-2)	141397	SV-33-3	Armature for Motor #6355-GWS
141115	SV-02-2	Container Back (Use w/SV-51-3 Front Only)	141405	SV-33/220	Armature for 220/50 Motor
141120	* SV-03	Grip Shield	141410	SV-34	Field for Motor #81596
141130	SV-04	Gear Case Body for Motor #81596	141417	SV-34-3	Field for Motor #6355-GWS
141140	SV-05	Gear Case Cap for Motor #81596	141415	SV-34/220	Field for 220/50 Motor
141145	SV-05-1	Container Hub for Direct Drive Unit	141420	SV-35	Spacer Washer
143610	SV-05-2	Container Hub for Direct Drive Unit w/1/2 Drill Spindle	141430	SV-36-3	Brush Spring & Brush (2) for Motor #81596, Type 2
141150	SV-06	Internal Ring Gear	141440	SV-36-4	Integral Brush, Spring, & Connector (2) for Motor #81596, Type 3
141160	SV-07	Pinion & Spindle Gear Assembly for Motor #81596	141445	SV-36-5	Brush & Holder Set for Motor #6355-GWS
141165	SV-08	Reverse-Thread Screw for Direct Drive Unit	141466	SV-36/220	Brush Spring & Brush for 220/50 Motor
141170	SV-08-B/220	Reverse-Thread Screw for Bosch 220/50 Motor	141457	SV-37-3	Left & Right Handle Cover Set for Motor #6355-GWS
141180	SV-09	Beveled Collar w/Set Screw	141465	SV-37-C	Set Screws & Nuts for Skil Type 2 & 3 Handle Cover
141190	* SV-10	Spindle Sleeve (Incl. SV-10-A)	141470	SV-38	Motor Housing for Motor #81596
141200	SV-10-A	Spindle Sleeve Retaining Ring	140571	SV-39-3	Holder for Brush & Spring (2) Type 3 Motors
141220	SV-12	Spacer Washer	140885	B12	Battery Pack - 12 v
141245	SV-16	Thrust Bearing for Motor #6355-GWS	140915	C12	Battery Charger
141270	SV-22	Machine Screws w/Lock Washers (5)	120500	PC	Plastic Cartridge
141280	SV-23	Fillister Head Screws (4)	132215	SV-DECAL	Set of Safety Decals
141300	* SV-25	Cable Grippers (2)	132310	SV-DVD	Instructional DVD
136020	* SV-26	Screws w/Locktite (2)	133010	SV-MCC	Carrying Case
141330	* SV-28	Front Collar w/Set Screws	130010	HECS	Handyelectric Cutter Set
143570	SV-29-B/220	Spacer for Bosch 220/50 Motor	120010	25HE1	Flexicore Cable, 1/4" x 25 ft. with EL Basin Head
136040	SV-30-S	Cord Set for Motor #81596	120160	25HE2	Flexicore Cable, 3/8" x 25 ft. with Female Connector
			120170	35HE2	Flexicore Cable, 3/8" x 35 ft. with Female Connector
			120020	50HE1	Flexicore Cable, 1/4" x 50 ft. with EL Basin Head
			120070	25HE1A	Flexicore Cable, 5/16" x 25 ft. with EL Basin Head

*Part Number SV-N-3 Includes All * Parts.

SUPER-VEE SCHEMATIC DIAGRAM



IMPORTANT: When ordering, give Serial Number of Machine.