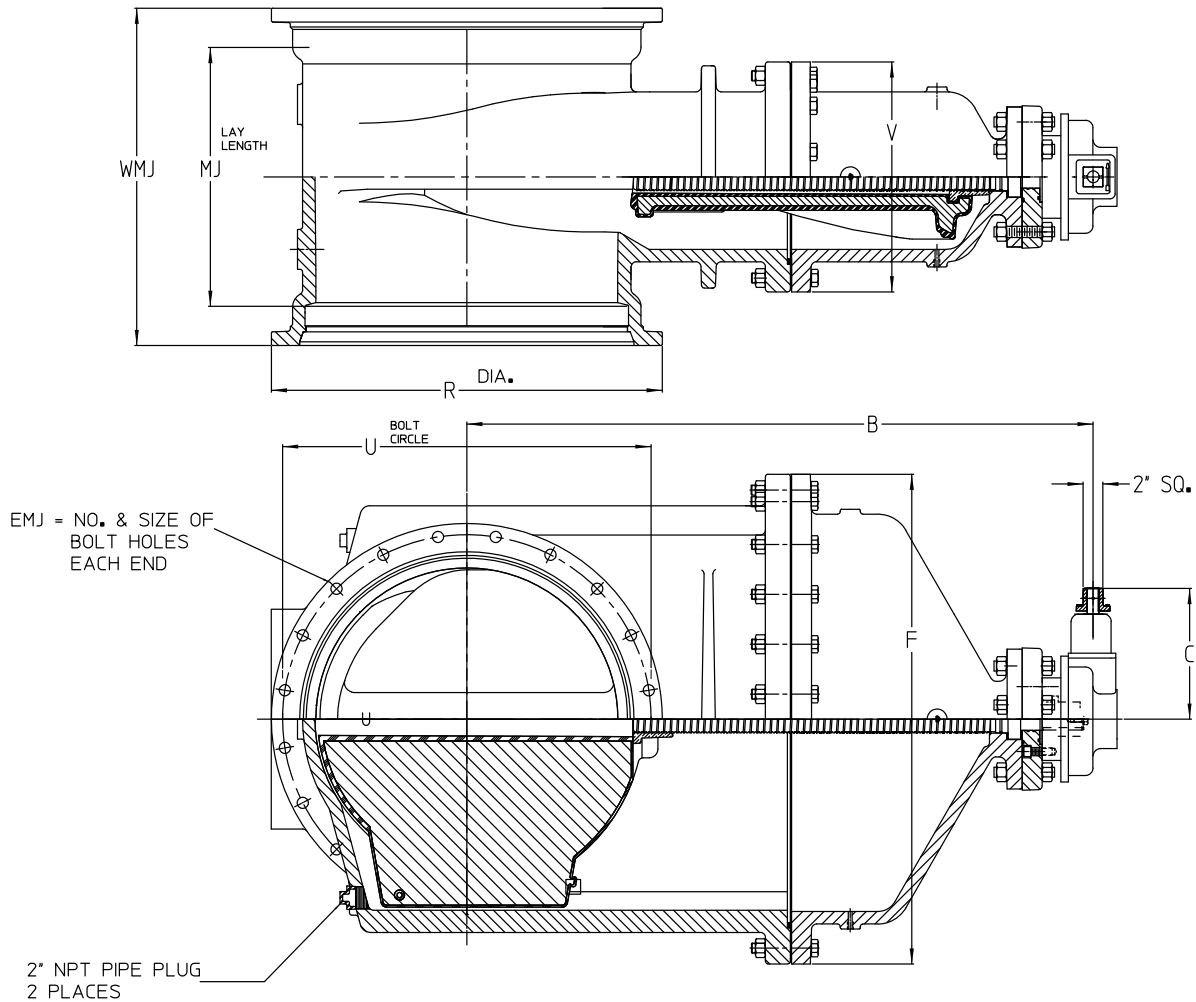


# AMERICAN Flow Control Submittal Information

## 30" - 36" SERIES 2500 RESILIENT WEDGE GATE VALVE NRS MECHANICAL JOINT ENDS WITH BEVEL GEAR ACTUATOR (MJ X MJ)



91-21411

Size	30"	36"
B	62.63	74.38
C	13.56	15.38
EMJ	20 - 1.13	24 - 1.13
F	49.00	58.00
MJ	25.75	29.50
R	39.13	46.00
U	36.88	43.75
V	23.00	27.50
WMJ	33.75	37.50
Turns to Open	379	448
Weight	4500 lbs.	7440 lbs.



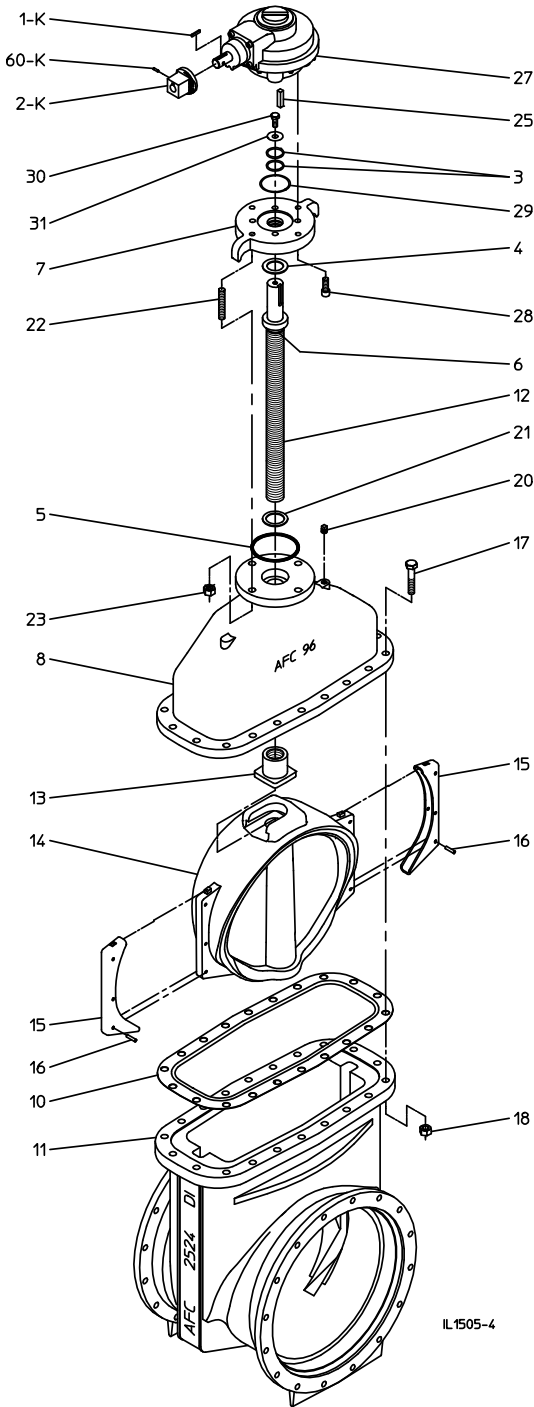
**AMERICAN**  
FLOW CONTROL

**THE RIGHT WAY**

AMERICAN Flow Control  
P.O. Box 2727  
Birmingham, Al. 35202-2727  
Phone: 800-326-8051  
Fax: 800-610-3569  
Email: afcsales@american-usa.com

Waterous Company  
125 Hardman Avenue South  
South St. Paul, Mn. 55075-1191  
Phone: 888-266-3686  
Fax: 800-601-2809  
Email: afcsales@american-usa.com

[WWW.AMERICAN-USA.COM](http://WWW.AMERICAN-USA.COM)



Ref. No.	Description	Material
1-K	Key for operating nut	Steel
2-K	Operating Nut	Ductile Iron ASTM A536
3	O-Ring	Rubber
4	Upper Thrust Washer	Delrin
5	Stuffing Box Gasket	Rubber O-Ring
6	O-Ring	Rubber
7	Stuffing Box	Ductile Iron ASTM A536
8	Bonnet	Ductile Iron ASTM A536
10	Throat Flange Gasket	Rubber
11	Valve Body	Ductile Iron ASTM A536
12	Stem	Manganese Bronze, ASTM B763, UNS C86200
13	Wedge Nut	30" - Silicon Bronze, ASTM B584, UNS C87600
		36" - Red Brass, ASTM B62, UNS C83600
14	Resilient Wedge	EPDM Rubber Encapsulated Ductile Iron ASTM A536
15	Wedge Cover	Acetal Polymer
16	Wedge Cover Pin	Acetal Polymer
17	Hex Head Bolt	304 Stainless Steel
18	Hex Nut	304 Stainless Steel
20	Pipe Plug	Stainless Steel
21	Lower Thrust Washer	Delrin
22	Stud	304 Stainless Steel
23	Hex Nut	304 Stainless Steel
25	Key	Hardened Steel
27	Bevel Gear Actuator	30" - Rotork IB-8 (4:1)
		36" - Rotork IB-10 (4:1)
28	Socket Head Capscrew	304 Stainless Steel
29	Actuator Gasket	Rubber O-Ring
30	Hex Head Bolt	Zinc Plated Steel
31	Washer	Steel
60-K	Pin for Operating Nut	Stainless Steel

**OPTIONAL MATERIALS ARE AS FOLLOWS**

BOLTS and NUTS: 316 Stainless Steel  
 STEM: Cast NDZ-S Bronze, ASTM B763, UNS C99500  
 STEM: 316 Stainless Steel  
 STEM: 304 Stainless Steel (30" only)

Open Direction  Left(C.C.W.)  Right(C.W.)

Construction shown is typical of the 24-inch size with mechanical joint end connections and is illustrative only. Construction of other sizes and end connection types vary slightly. See elsewhere on this drawing for specific details.

**NOTES:**

1. Mechanical joint ends are in accordance with ANSI/AWWA C111/A21.11.
2. Fusion-bonded epoxy coated in accordance with AWWA C550.
3. Certified to NSF/ANSI 61 & 372.
4. Meets requirements of AWWA C515 with rated working pressure of 250 psig.



**AMERICAN**  
 FLOW CONTROL

**THE RIGHT WAY**

AMERICAN Flow Control  
 P.O. Box 2727  
 Birmingham, Al. 35202-2727  
 Phone: 800-326-8051  
 Fax: 800-610-3569  
 Email: afcsales@american-usa.com

Waterous Company  
 125 Hardman Avenue South  
 South St. Paul, Mn. 55075-1191  
 Phone: 888-266-3686  
 Fax: 800-601-2809  
 Email: afcsales@american-usa.com

[WWW.AMERICAN-USA.COM](http://WWW.AMERICAN-USA.COM)