

A SERIES ROUND NIKALOY SUPER-FLO® STRAINER

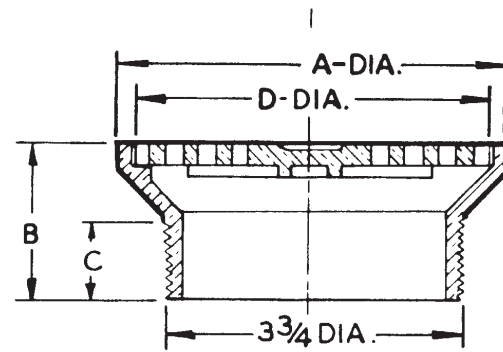
APPLICATION

For use in finished areas with pedestrian traffic such as toilet and shower rooms.

Available Options

- SS Stainless Steel, 5A, 6A, 7A, 8A
- 2 Satin Finish Bronze
- 80 Perforated Stainless Steel Basket
- CP Chrome Plated, 5A, 6A
- J Backwater Valve
- VP Secured Grate, Vandal-Proof Screws

TYPE NO.	A	B	C	D	FREE AREA	LBS.
5A	5	1-15/16	1-1/8	4-5/8	7.8	2
6A	6	2-1/4	15/16	5-1/4	11.0	3
7A	7	2-11/16	1-1/2	6-7/16	13.2	4
8A	8	2-1/2	7/8	7-1/8	16.2	5
9A•	9	2-1/4	1	8-1/8	21.1	7
10A•	10	2-1/4	1-1/8	9	28.0	9



•Not SUPER-FLO® Design

AD SERIES ROUND NIKALOY STRAINER with Clamp Device

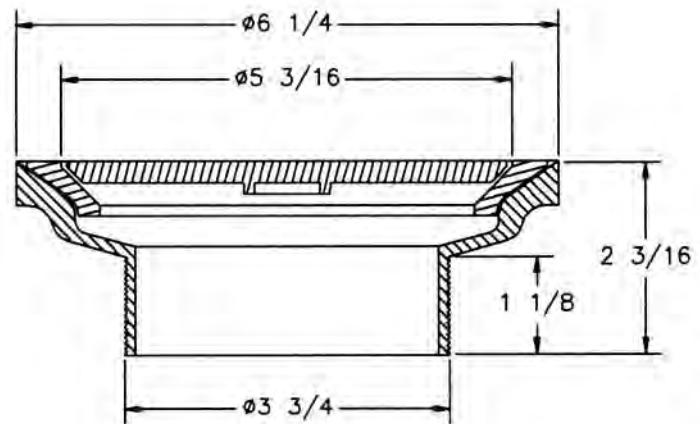
APPLICATION

For use in finished areas with pedestrian traffic such as supermarkets or kitchens.

Available Options

- 2 Satin Bronze Top
- VP Secured Grate, Vandal-Proof Screws

TYPE NO.	FREE AREA	LBS.
6AD	10.4	4



AF SERIES ROUND NIKALOY STRAINER with Tile Flange

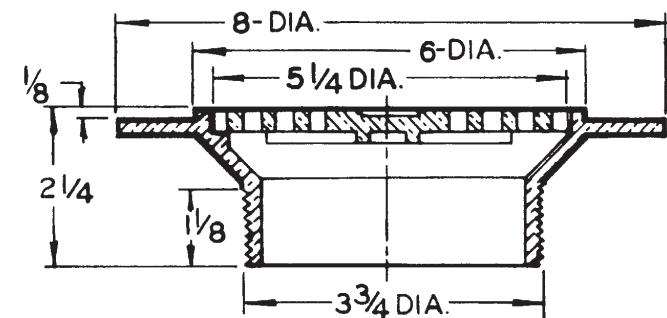
APPLICATION

For use in areas where a vinyl tile, liquid or trowel applied floor covering is to be adhered to the strainer flange and pedestrian traffic is expected.

Available Options

- 2 Satin Finish Bronze
- 80 Perforated Stainless Steel Basket
- J Backwater Valve
- VP Secured Grate, Vandal-Proof Screws

TYPE NO.	FREE AREA	LBS.
6AF	10.4	5



FLOOR DRAINS