

Jerritt Series

High-Efficiency Two-Piece Toilet



Product Features

- Gravity fed 1.28gpf HET, High-Efficiency Toilet
- Two-piece vitreous china
- 2" fully glazed trapway
- 6" x 5-1/4" (RF) / 7" x 6" (EL) water surface
- Anti-siphon fill valve
- Jetted box rim
- Close coupled tank with cover
- Quick connect, two-bolt tank-to-bowl installation
- Comes standard with a color matching trip lever
- 2" Flush valve
- Sanitary bar on all bowls
- Seat and supply not included
- Available in 10", 12", 14" RI
- Available with RH trip level
- Available with insulated tank
- Available in round front, elongated, chair height elongated and ADA elongated
- Uses 20% less water than standard low consumption toilets
- EPA WaterSense Certified



PF1403TWH/PF5112HEWH

Codes and Standards

- IAPMO/UPC
- ASME A112.19.2
- CSA B45.0
- CSA B45.1

Model	Model Description	Color Finishes
PF1400T*	1.1-1.6 RF UNIV BOWL	○ White
PF1401T*	1.1-1.6 EL UNIV BOWL	○ White ○ Biscuit
PF1402T**	1.1-1.6 CH EL UNIV BOWL	○ White
PF1403T**	1.1-1.6 ADA UNIV BOWL	○ White ○ Biscuit
PF5112HE	HET Tank only 12" RI	○ White ○ Biscuit
PF5112NHEWH	HET Tank only 12" RI	○ White
PF5112BHEWH	HET Low Profile Tank only 12" RI	○ White
PF5110HE	HET Tank only 10" RI	○ White ○ Biscuit
PF5110RHEWH	HET Right hand tank only 10" RI	○ White
PF5114HEWH	HET Tank only 14" RI	○ White
PF5112RHEWH	HET Right Hand Tank only	○ White
PF5112UHEWH	HET Lined Tank only 12" RI	○ White
PF5112LHEWH	Tank with Locking Lid	○ White

* = complies with CSA B651
 ** = complies with ADA & CSA B651



High-Efficiency Two Piece Toilet

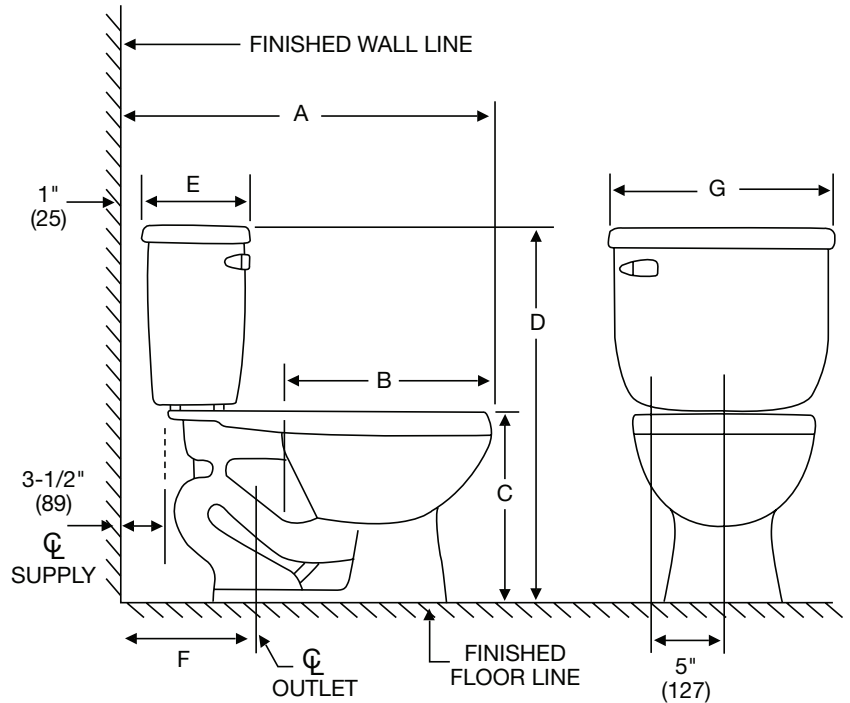


Product Features

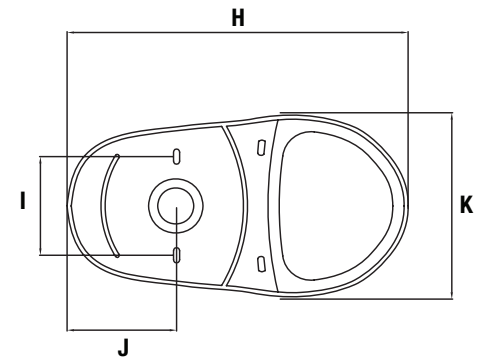
The combination toilet shall be made of vitreous china. Toilet shall be 1.28 GPF (4.8 lpf). Toilet shall have 2" (5.1cm) fully glazed trapway. Toilet shall include color match trip lever. Toilet shall be less seat and supply. Toilet shall be ADA compliant (PF1403T) with 17" high bowl.

Warranty and Codes:

This product comes complete with installation, operating, care and maintenance instructions. All PROFLO fixtures carry a limited lifetime warranty on the vitreous china and a 5-year limited warranty on the parts and fittings. This product meets or exceeds ASME/ANSI A112.19.2M. In an effort to continually improve our products, we will make design changes from time to time. We reserve the right to ship newly designed product to fill any order unless we agree in writing to do otherwise.



	A	B	C	D	E	F	G
PF5114HE / PF1400T	30-1/2"	16-1/2"	15"	29-3/4"	9-3/4"	14"	15-3/4"
PF5114HE / PF1401T	32-1/2"	18-1/2"	15"	29-3/4"	9-3/4"	14"	15-3/4"
PF5114HE / PF1402T	32-1/2"	18-1/2"	16-1/4"	31"	9-3/4"	14"	15-3/4"
PF5114HE / PF1403T	32-1/2"	18-1/2"	17"	31-3/4"	9-3/4"	14"	15-3/4"
PF5110HE / PF1400T	26-1/2"	16-1/2"	15"	29-3/4"	6-1/4"	10"	17-1/2"
PF5110HE / PF1401T	28-1/2"	18-1/2"	15"	29-3/4"	6-1/4"	10"	17-1/2"
PF5110HE / PF1402T	28-1/2"	18-1/2"	16-1/4"	31"	6-1/4"	10"	17-1/2"
PF5110HE / PF1403T	28-1/2"	18-1/2"	17"	31-3/4"	6-1/4"	10"	17-1/2"
PF5112HE / PF1400T	28-1/2"	16-1/2"	15"	29-3/4"	8-1/2"	12"	15-3/4"
PF5112HE / PF1401T	30-1/2"	18-1/2"	15"	29-3/4"	8-1/2"	12"	15-3/4"
PF5112HE / PF1402T	30-1/2"	18-1/2"	16-1/4"	31"	8-1/2"	12"	15-3/4"
PF5112HE / PF1403T	30-1/2"	18-1/2"	17"	31-3/4"	8-1/2"	12"	15-3/4"
PF5112BHE / PF1400T	28-1/2"	16-1/2"	15"	26-3/4"	8-1/2"	12"	15-3/4"
PF5112BHE / PF1401T	30-1/2"	18-1/2"	15"	26-3/4"	8-1/2"	12"	15-3/4"
PF5112BHE / PF1402T	30-1/2"	18-1/2"	16-1/4"	28"	8-1/2"	12"	15-3/4"
PF5112BHE / PF1403T	30-1/2"	18-1/2"	17"	28-5/8"	8-1/2"	12"	15-3/4"



Footprint

	RF	EL	CH EL	ADA
	PF1400T	PF1401T	PF1402T	PF1403T
H	18-1/2"	18-1/2"	18-1/2"	18-1/2"
I	6"	6"	6"	6"
J	6-1/8"	6-1/2"	6-1/2"	6-1/2"
K	9"	9"	9"	9"

