

Assembly & Installation Instructions

CAUTION:

Read instructions carefully and turn electricity off at main circuit breaker panel before beginning installation.

P8071-STR2 / P8071-L10-STR2 Series

WARNING: Follow the Instruction carefully to assure full compliance with local, state, and NEC requirements. If there are any questions, contact a Qualified Electrical Contractor.

WARNING: Risk of fire or electrical shock. Install this kit only in the Recessed Cans matching the dimensions listed below.

WARNING: To prevent wiring damage or abrasion, do not expose wiring to edges of sheet metal or other sharp objects.

CAUTION: Risk of fire. Consult a Qualified Electrician to ensure correct branch circuit conductor.

NOTE: This product is designed to operate with most standard incandescent or low voltage electronic dimmer switches. Results may vary. For recommended dimmers, consult product specification sheet for more details.

NOTE: SUITABLE FOR WET LOCATIONS IN COVERED CEILING

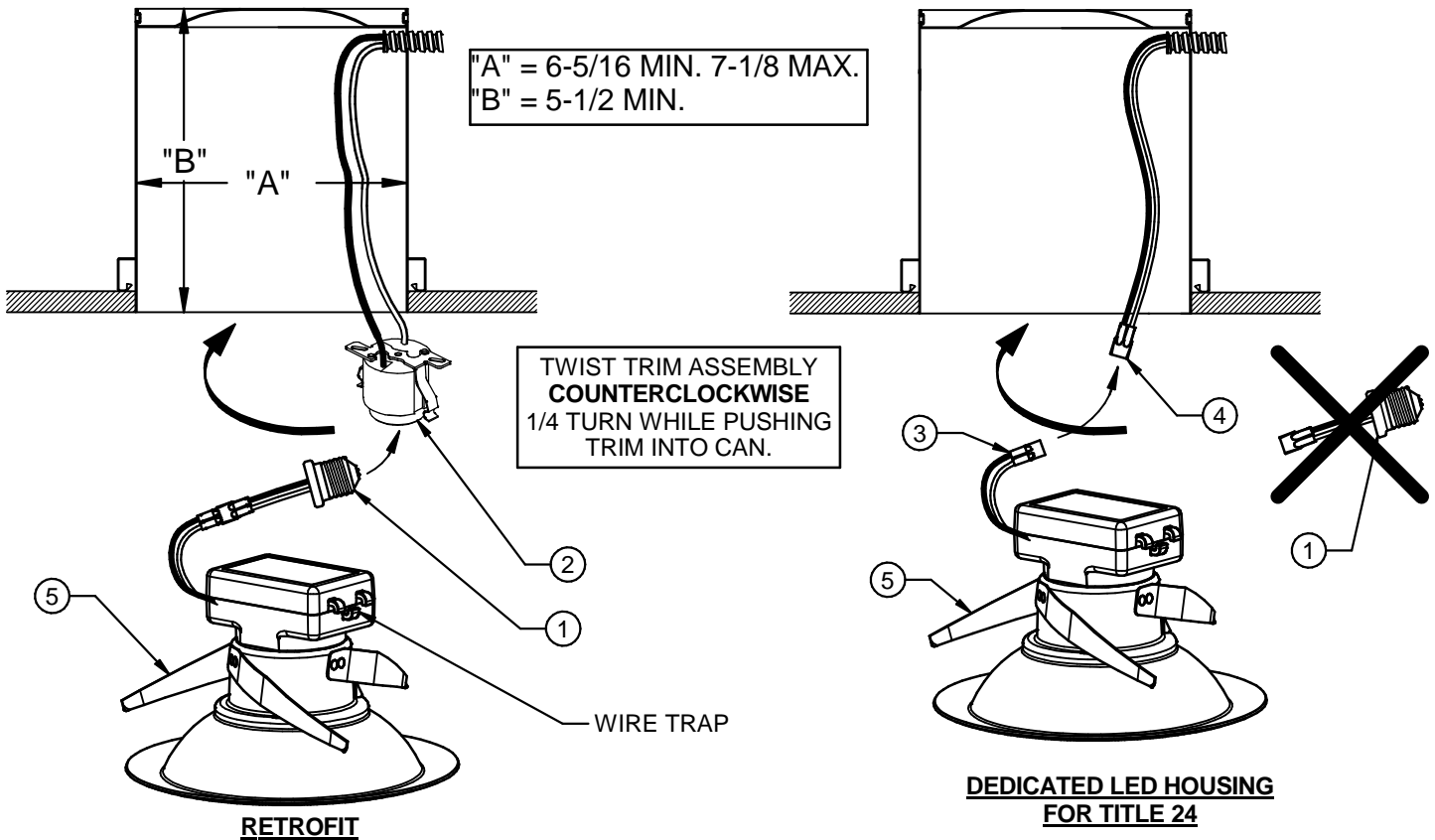
WARNING: This product contains chemicals known to the State of California to cause cancer, birth defects and /or other reproductive harm. Thoroughly wash hands after installing, handling, cleaning, or otherwise touching this product.

NOTE: Always install with ambient temperatures specified on the product specification sheet.

5 year warranty. See www.progresslighting.com for details.

Do not make or alter any open holes in an enclosure of wiring or electrical components during kit installation.

THIS PRODUCT MUST BE INSTALLED IN ACCORDANCE WITH THE APPLICABLE INSTALLATION CODE BY A PERSON FAMILIAR WITH THE CONSTRUCTION AND OPERATION OF THE PRODUCT AND THE HAZARDS INVOLVED.



Fits into Progress 6" recessed cans including: P87-AT, P87-ATQC, P187-TG, P821-FB, P86-TG, P186-TG

Fits into most competitive recessed cans with "A" and "B" dimensions above including: Halo H7ICAT, H7RICAT; Juno IC22; Lithonia L7X; Capri CR1, CRR1; Prescolite DBX, RMNID, IBXHW, FT6; Nora NHIC-17QAT, NHRIC-17QNBAT; Sea Gull 1128

See www.progresslighting.com for more details

IMPORTANT! Prior to retrofit installation, recessed can must be properly installed and flush with the ceiling. It may be necessary to detach the socket from a mounting bracket or spring. Remove and discard bracket to allow adequate clearance.

1. Connect Trim to Power

For retrofit: Screw socket adapter (1) into socket (2) as shown. Or to hard-wire: Cut medium base screw shell socket wires near socket, discard socket. Cut and remove screw shell adapter from trim, discard adapter. Strip wires and connect (Blk-Blk, Wht-Wht) with UL listed connectors.

For new construction with dedicated LED housing: Remove socket adapter assy (1) and discard. Connect trim connector (3) directly to mating LED housing connector (4) as shown.

2. Insert Trim into Recessed Can

Guide socket and wiring toward the can opening. Push trim up into recessed can, while twisting trim **counterclockwise** 1/4 turn, firmly engaging the spring clips (5) until flush with ceiling. NOTE: Loose wires can be placed in wire trap to avoid interference or pinching of wiring.

3. To remove trim assembly, twist trim assembly **counterclockwise** 1/4 turn while pulling down.

KEEP THESE INSTRUCTIONS