

Type _____

-09 -20 -30

P2500

Finish

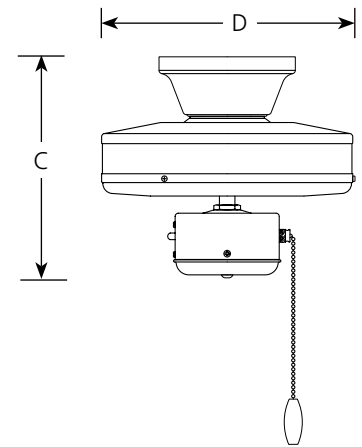
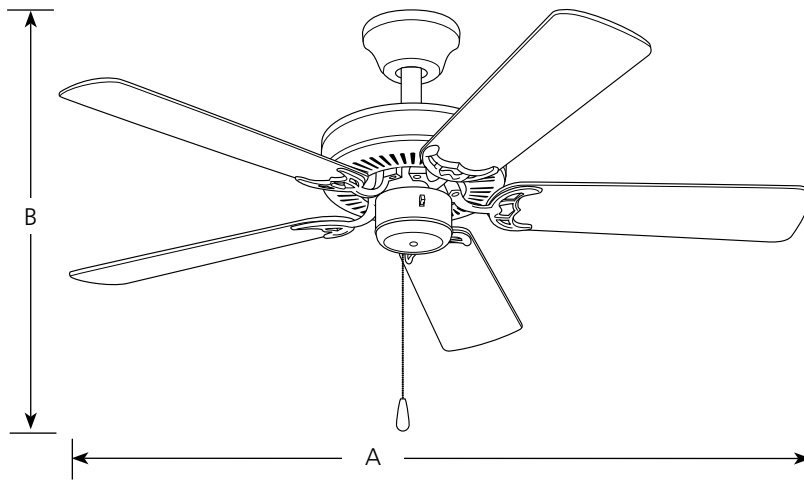
| Catalog No | Brushed Nickel | Antique Bronze | White |
|------------|----------------|----------------|-------|
| P2500 | -09 | -20 | -30 |

Dimensions (Inches)

| A | B | C | D |
|----|--------|-------|---|
| 42 | 12-1/4 | 8-1/2 | 4 |

Blades

| | Brushed Nickel | Antique Bronze | White |
|--------|----------------|----------------|------------|
| Side 1 | Cherry | Classic Walnut | White |
| Side 2 | Natural Cherry | Medium Cherry | Washed Oak |



ENERGYGUIDE

Estimated
Yearly Energy Cost

\$11

Cost Range of Similar Models (19" - 84")

\$3 | | | \$34

Airflow
2,372
Cubic Feet Per Minute

• The higher the airflow, the more air the fan will move
 • Airflow Efficiency: 64 Cubic Feet Per Minute Per Watt

• Based on 12 cents per kWh and 6.4 hours use per day
 • Your cost depends on rates and use
 • Energy Use: 37 Watts

All estimates based on national rates. See www.fortune.com
 © 2017 Progress Lighting

Fan mounted as close-to-ceiling.

Specifications:

General

- 30 year limited warranty

Blades

- Five blades
- Reversible
- Sure Connect blade attachment system
 - Screws preinstalled in blades for attachment to motor arms
 - Special guides align blades to motor arms
 - Preinstalled rubber isolation pads minimize vibration noise
- MDF blade material

Motor

- Triple capacitor speed control; manual reverse control
- 153mm dia x 10mm high

- Pull chain on brushed nickel (-09) is chrome with walnut tab, white (-30) is chrome with a white fob, and on antique bronze (-20) is antique brass chain with medium oak fob

Mounting

- Dual ceiling mounting on downrod, or close to ceiling
- A 1-1/6" x 4-1/4" downrod is included. Longer accessory downrods can be ordered separately
- Quick-Install canopy installs without removing outlet box screws and securely holds fan for wiring during installation
- Canopy covers standard recessed 4" octagonal outlet box. Note: An outlet box assembly designed for fan installation is required (not included)

Electrical

- 72" lead wires included
- Pre-wired

Labeling

- UL/CUL listed

Progress Lighting
701 Millennium Blvd.
Greenville, South Carolina
29607

www.progresslighting.com

ENERGY INFORMATION AT HIGH SPEED

AIRFLOW: 3053 CFM cubic feet per minute

ELECTRICITY USE: 46 watts (excludes lights)

AIRFLOW EFFICIENCY: 67 cubic feet per minute per watt

Fan on a downrod.