

FIGURE 340NA, 340NAF, 350NA THERMOPLASTIC VALVES FULL PORT TRUE-UNION BALL VALVE

FNW[®]

FIGURE 340NA - PVC WITH NPT AND SW ENDS*

FIGURE 340NAF - PVC WITH 150# FLANGES

FIGURE 350NA - CPVC WITH NPT AND SW ENDS*

* SW only on sizes over 2". NPT is available upon request.

FEATURES

- Full port design
- Pressure Rating: 150 PSI @ 73°F
- Temperature Range:
 - PVC: 41°F–122°F (5°C–50°C)
 - CPVC: 32°F–194°F (0°C–90°C)
- Certified to NSF/ANSI 14, 61 and 372
- EPDM or FPM (Viton[®]) seals
- O-ring energized seats
- Bidirectional flow*
- Adjustable seat tightness
- Easy disassembly with handle
- Easy replacement reduces downtime

STANDARDS

Connections

- Figure 340NA Connections:
 - Threaded Dimension: ASTM F 1498 and ASME B 1.20.1
 - Socket Dimension: ASTM D 2467
- Figure 340NAF Connections:
 - Flanged Dimension: ASME B16.5, Class 150
- Figure 350NA Connections:
 - Threaded Dimension: ASTM F 1498 and ASME B 1.20.1
 - Socket Dimension: ASTM F 439

Materials

- PVC: Cell classification 12454 per ASTM D 1784 (formerly Type I, Grade 1)
- CPVC: Cell classification 23447 per ASTM D 1784 (formerly Type IV, Grade 1)



340NAF



340NA



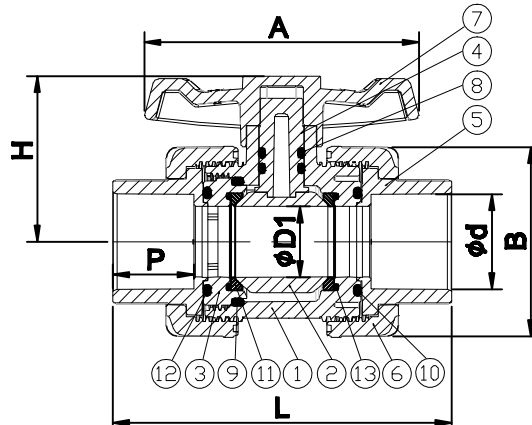
350NA



FIGURE 340NA, 340NAF, 350NA THERMOPLASTIC VALVES FULL PORT TRUE-UNION BALL VALVE

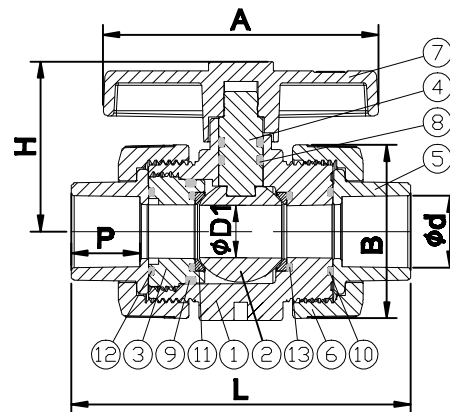


FNW340NA/350NA
1/2" to 3"



* 1/2" to 2" with threaded/socket unions;
2-1/2" and 3" with socket unions only, NPT available upon request.

FNW340NA/350NA
Threaded/Socket
Weld 4" Only



* Socket unions only, NPT available upon request.

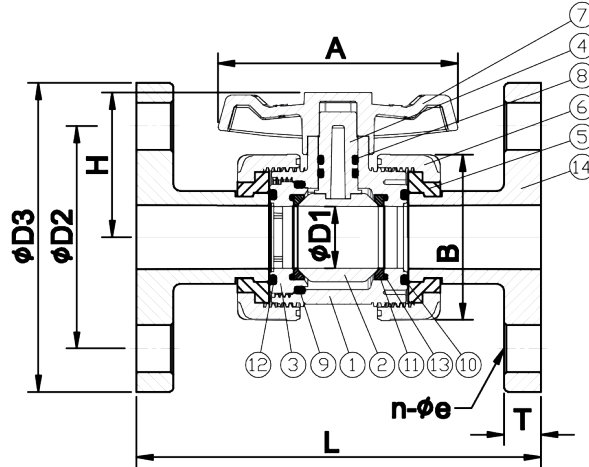
DIMENSIONS (INCHES) FIGURE 340NA AND 350NA

Size	D1	d		P	L	A	H	B
		Socket	Thread					
1/2"	0.551	0.848	14	0.875	3.76	2.835	1.811	1.89
3/4"	0.787	1.058	14	1	4.16	3.346	2.087	2.323
1"	0.984	1.325	11.5	1.125	4.72	3.858	2.283	2.638
1-1/4"	1.26	1.67	11.5	1.25	5.31	4.016	2.717	3.071
1-1/2"	1.575	1.912	11.5	1.375	5.96	4.528	2.992	3.661
2"	1.969	2.387	11.5	1.5	6.81	5.551	3.662	4.449
2-1/2"	2.48	2.889	8	1.75	8.27	7.086	4.527	5.59
3"	3.031	3.516	8	1.875	9.61	8.189	5.315	6.614
4"	4.01	4.518	8	2.25	12.91	10.97	6.77	8.9

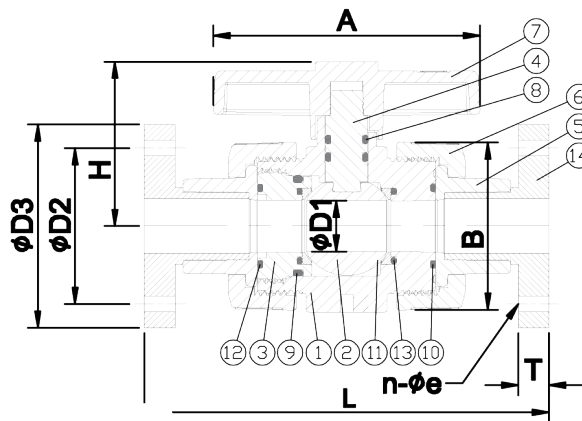
FIGURE 340NA, 340NAF, 350NA THERMOPLASTIC VALVES FULL PORT TRUE-UNION BALL VALVE



FNW340NAF
1/2"–3" Only



FNW340NAF
4" Only



DIMENSIONS (INCHES) FIGURE 340NAF

Size	D1	D2	D3	e	n	L	A	T	H	B
1/2"	0.551	2.38	3.5	0.625	4	5.118	2.835	0.59	1.811	1.89
3/4"	0.787	2.75	3.88	0.625	4	5.748	3.346	0.59	2.087	2.323
1"	0.984	3.12	4.25	0.625	4	6.653	3.858	0.63	2.283	2.638
1-1/4"	1.26	3.5	4.62	0.625	4	7.401	4.016	0.63	2.717	3.071
1-1/2"	1.575	3.88	5	0.625	4	8.228	4.528	0.63	2.992	3.661
2"	1.969	4.75	6	7.5	4	9.055	5.551	0.787	3.622	4.449
2-1/2"	2.48	5.5	7	7.5	4	10.394	7.086	0.787	4.527	5.59
3"	3.031	6	7.5	7.5	4	11.838	8.189	0.88	5.315	6.614
4"	4.01	7.5	9.06	7.5	8	15.2	10.97	0.88	6.77	8.9

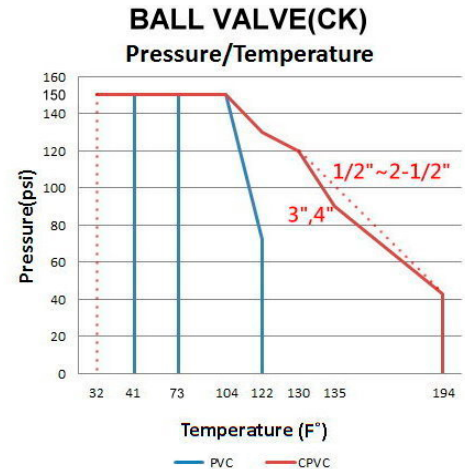
FIGURE 340NA, 340NAF, 350NA THERMOPLASTIC VALVES FULL PORT TRUE-UNION BALL VALVE



STANDARD MATERIALS

Ref #	Parts	Materials				Qty
		340NA & 340NAF		350NA		
		EPDM	Viton®	EPDM	Viton®	
1	Body	PVC		CPVC		1
2	Ball	PVC		CPVC		1
3	Seat Carrier	PVC		CPVC		1
4	Stem	PVC		CPVC		1
5	End Connector (Buckle 1/2"-2" for 340NAF only)	PVC		CPVC		2
6	Union Nut	PVC		CPVC		2
7	Handle	ABS				1
8	Stem O-Ring	EPDM	FPM (Viton®)	EPDM	FPM (Viton®)	2
9	Seat Carrier O-Ring	EPDM	FPM (Viton®)	EPDM	FPM (Viton®)	1
10	End's O-Ring	EPDM	FPM (Viton®)	EPDM	FPM (Viton®)	1
11	Seat	Teflon				2
12	Solid End O-Ring	EPDM	FPM (Viton®)	EPDM	FPM (Viton®)	1
13	Body O-Ring	EPDM	FPM (Viton®)	EPDM	FPM (Viton®)	2
14	Flange (340NAF only)	PVC				2

PRESSURE/TEMPERATURE



TORQUE CV & WEIGHTS

Size	Torque (in-lbs)	Cv	Weight (lbs)
1/2"	9	12.5	0.37
3/4"	18	28	0.57
1"	18	50.9	0.86
1-1/4"	18	81	1.21
1-1/2"	27	150	1.83
2"	45	230	3.09
2-1/2"	54	360	4.07
3"	71	485	7.61
4"	350	768	17.73

FIGURE NUMBER MATRIX

FNW	340NA	E	G
	<p><i>Body Type</i></p> <p>340NA = PVC w/ NPT & SW ends to 2" (SW only over 2", NPT upon request)</p> <p>340NAF = PVC w/ flanged ends</p> <p>350NA = CPVC w/ NPT & SW ends to 2" (SW only over 2", NPT upon request)</p>	<p><i>Seals</i></p> <p>E = EPDM</p> <p>V = FPM (Viton®)</p>	<p><i>Size Codes</i></p> <p>1/2 = D 2 = K</p> <p>3/4 = F 2-1/2 = L</p> <p>1 = G 3 = M</p> <p>1-1/4 = H 4 = P</p> <p>1-1/2 = J</p>