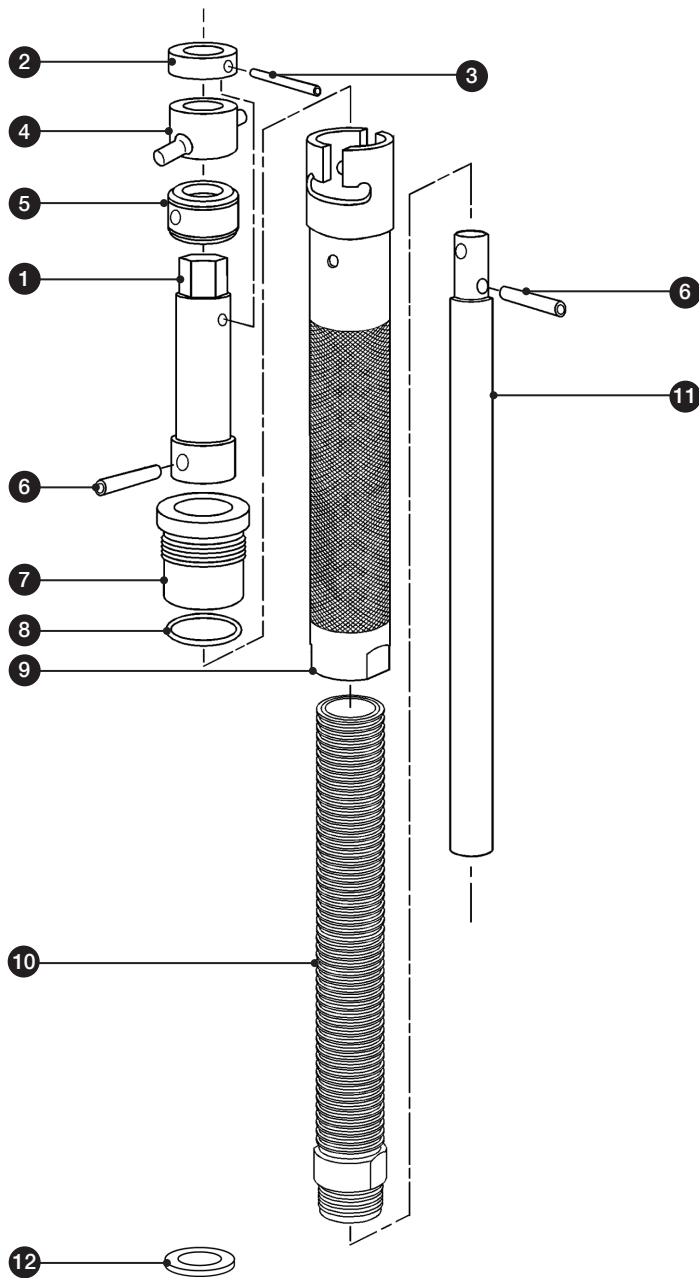


MUELLER® Mega-Cut™ Drilling Machine

Parts



Parts List

ID	PART NAME	PART No.
–	Machine Complete	039432
1	Handle Extension	528094
2	Retaining Collar	52809
3	Pin	48130
4	Connector Assembly	682091
5	Bearing Assembly	580610
6	Pin	503158
7	Packing Gland	51432
8	O-Ring	46726
9	Feed Sleeve	528095
10	Body	503159
11	Boring Bar Tool End	503161
12	Body Gasket	47756

TO ORDER: Specify Quantity, Part Number and Part Name (include catalog number and model number of machine).

NOTE: These illustrations are for parts identification only. DO NOT use these illustrations for assembly or disassembly of machine. Mueller Co. offers a machine repair service. Contact Mueller Customer Service Center for details.



Reliable Connections®

Gas (North America)
1.800.798.3131
www.muellergas.com
moreinfo@muellercompany.com

Water (North America)
1.800.423.1323
www.muellercompany.com
moreinfo@muellercompany.com

International
1.423.490.9555
www.mueller-international.com
international@muellercompany.com