

**AXOR Uno**  
**AXOR Uno Pressure Balance Trim**  
Finishes : **chrome** Part no. : **38414001**

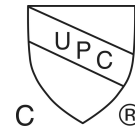


## Description

### Features

- Integrated bypass for use with diverter tub spouts
- Temperature and on/off control for 1 outlet
- MASS/Massachusetts
- ADA/IAPMO/3016

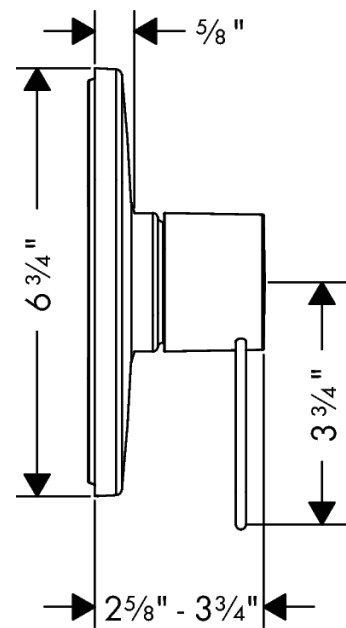
## Compliance



## Product image



## Scale drawing

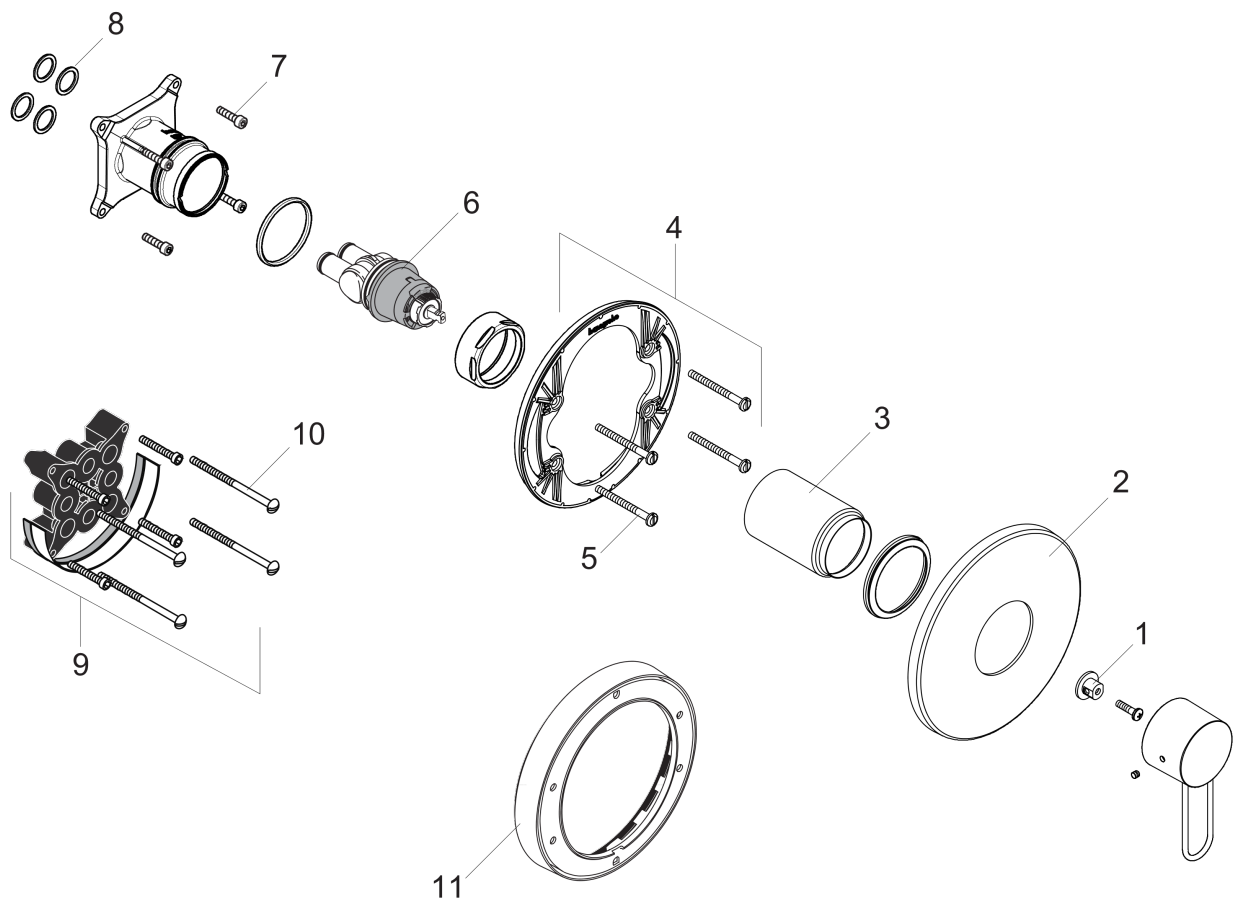


**AXOR Uno**  
**AXOR Uno Pressure Balance Trim**  
Finishes : **chrome**    Part no. : **38414001**



## Exploded drawing

Year of production: >07/18



**AXOR Uno**  
**AXOR Uno Pressure Balance Trim**  
 Finishes : **chrome**    Part no. : **38414001**



## Spare parts list

Year of production: >07/18

Pos.	Description	Part no.	PC	PU
1	adapter for handle	92756000	0	1
2	escutcheon	88760000	0	1
3	sleeve	88765000	0	1
4	sub plate	96447000	0	1
5	set of fixing screws	96454000	0	1
6	cartridge, assy	88727000	0	1
7	set of screws	96525000	0	1
8	O-ring 16x2	98133000	0	1
9	extension 25 mm	13595000	0	1
10	set of fixing screws	97747000	0	1
11	extension 22 mm (Ø 170 mm)	13596000	0	1