

4

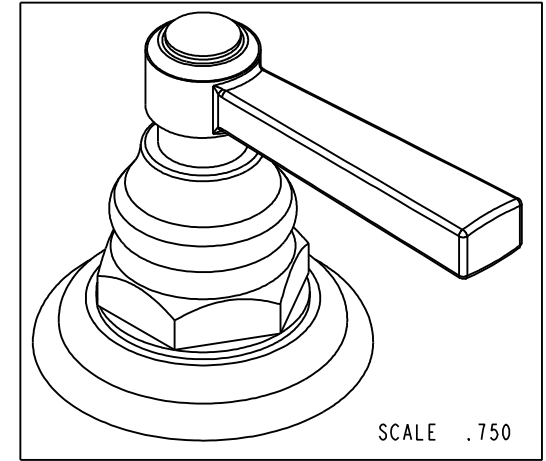
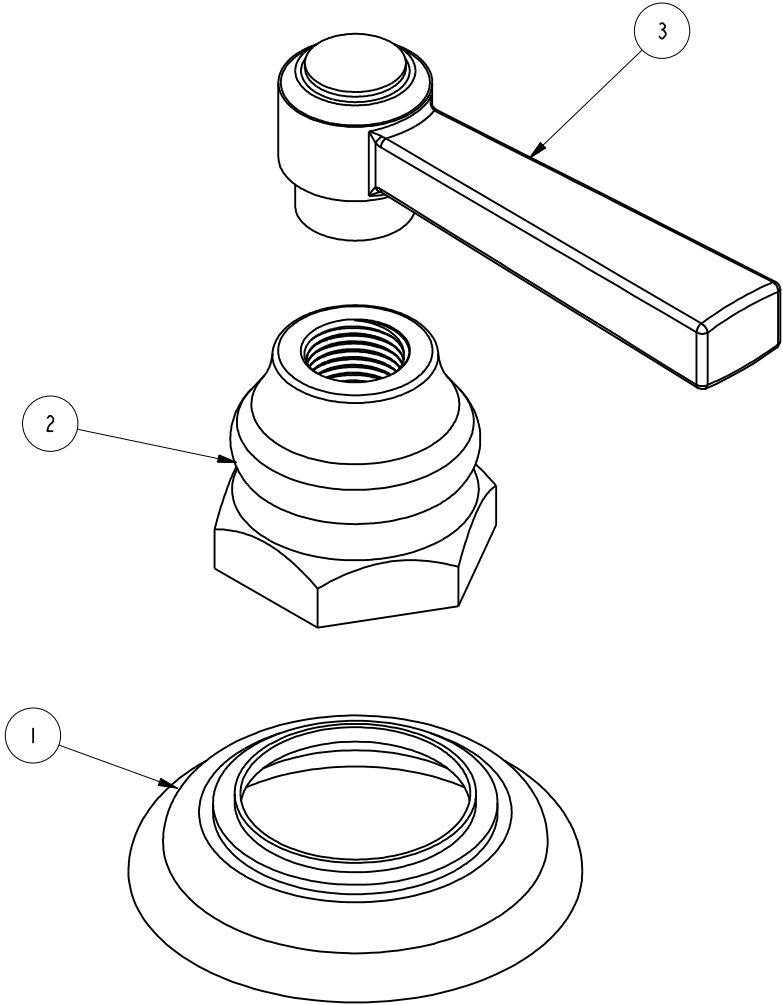
3

2

1

BILL OF MATERIAL (CURRENT LEVEL)

ITEM	PT/ASSY	DESCRIPTION	TYPE	QTY.
1	2-928	ESCUTCHEON ASM	ASSEMBLY	1
2	12277	HEX ESCUTCHEON BONNET	PART	1
3	2-436	LEVER HANDLE ASM	ASSEMBLY	1



D

D

C

C

B

B

A

A

COPYRIGHT 2005 BRASSTECH, INC. THESE DRAWINGS AND THE DESIGNS DEPICTED HEREIN ARE THE PROPRIETARY PROPERTY OF BRASSTECH. ANY USE OR REPRODUCTION IS SUBJECT TO THE EXPRESS APPROVAL OF BRASSTECH. UNAUTHORIZED USE IS STRICTLY PROHIBITED. ALL RIGHTS RESERVED.

BRASSTECH
 INCORPORATED
 2001 E. CARNEGIE AVE.
 SANTA ANA, CA 92705
 (949) 417-5207

HANDLE ASM

ASSY. NO.	3-343		-	-	-
SCALE	1.000	REF.	-	SHEET	1 OF 1
REV		REV	DESC	DATE	
			EN-2621	11/21/13	

4

3

2

1