

Sioux Chief Drainage Installation Guide

863 Series Flashing Drain

Sioux Chief 863 Series flashing drains are designed to be installed in above-grade floor applications.

The drain pipe is roughed-in and the drain body is connected to the pipe according to the specified connection type (solvent weld Sch. 40 hub shown).

Note: The drain body flange should be installed at a level that will be flush with the rough floor slab.

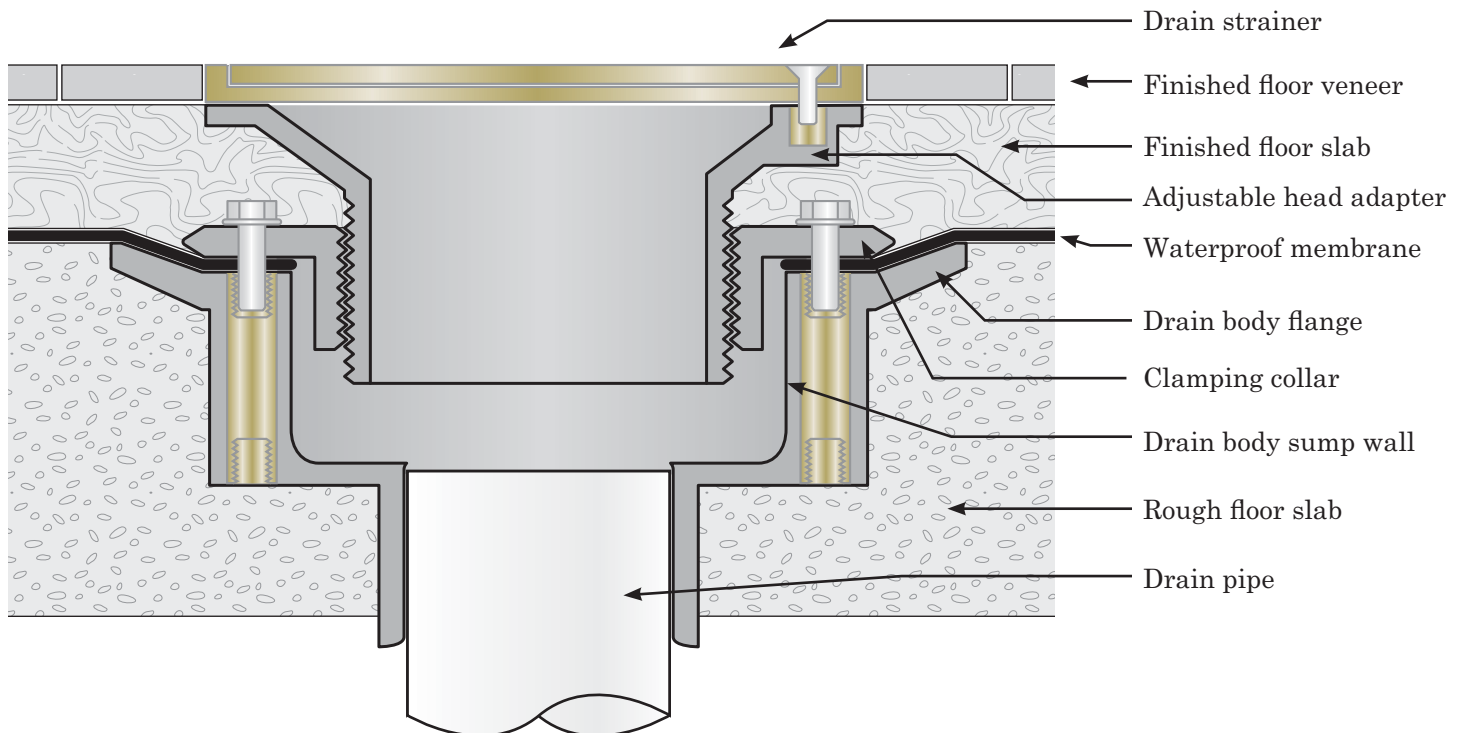
Once the drain is securely connected to the drain pipe, the rough floor slab is poured level with the top of the drain body flange.

The waterproofing membrane is then installed down over the flange, and trimmed even with drain body's sump wall. The clamping collar is then placed on the drain and secured with four bolts.

The head adapter is then screwed into the clamping collar and adjusted such that it will be flush with, or slightly below the finished floor veneer when installed.

Once the head adapter is installed, the finished floor slab is poured, and finished floor veneer is set flush with, or slightly above the drain strainer.

Be sure to follow all applicable plumbing codes and design specifications during installation.



24110 South Peculiar Dr.
Peculiar, MO 64078
tel: 1-800-821-3944
fax: 1-800-758-6110
www.siouxchief.com



Sioux Chief
MANUFACTURING SINCE 1957