

AXOR Uno
Single-Hole Faucet 100 with Loop Handle, 1.2 GPM
 Finishes : **chrome** Part no. : **38026001**



Description

Features

- Aerated spray
- Flow: 1.2 GPM (4.5 L/Min)
- Ceramic cartridge
- MASS/Massachusetts
- NSF61/IAPMO/N3016-(No NSF Logo!)
- DOE/FTC
- NSF372(LL)/Iapmo/6738-(No NSF Logo!)
- TECQ/Texas Registered
- ADA/IAPMO/3016
- CEC/California/Watersaving
- WaterSense/IAPMO/5921/Lavs

Technology



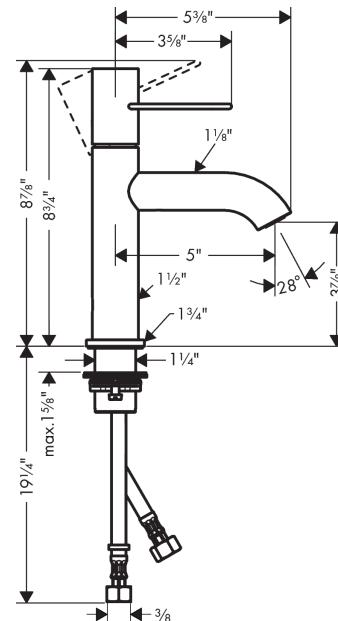
Compliance



Product image



Scale drawing

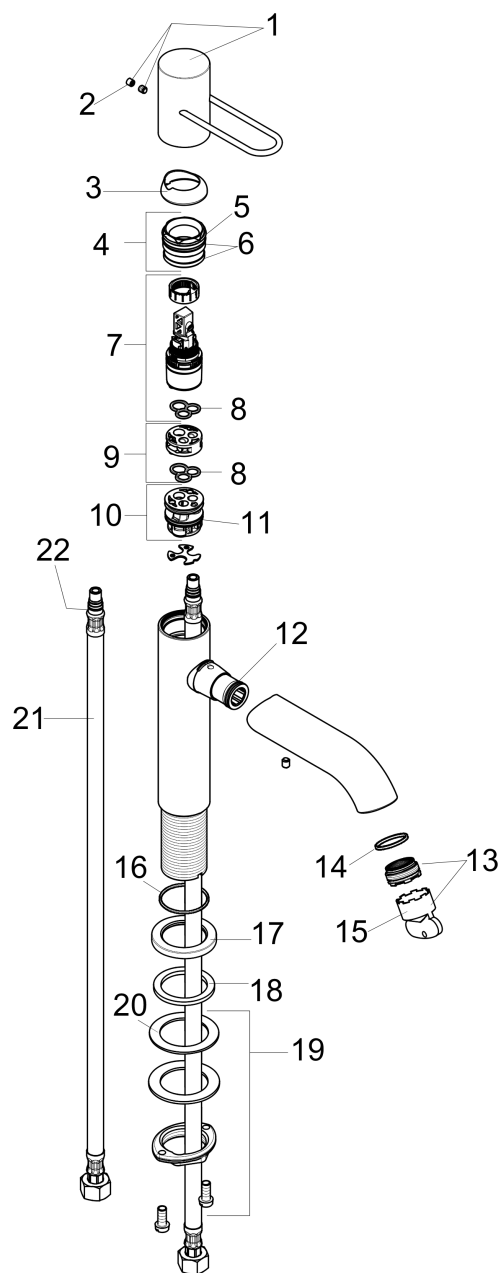


AXOR Uno
Single-Hole Faucet 100 with Loop Handle, 1.2 GPM
Finishes : **chrome** Part no. : **38026001**



Exploded drawing

Year of production: >07/18



AXOR Uno
Single-Hole Faucet 100 with Loop Handle, 1.2 GPM
 Finishes : **chrome** Part no. : **38026001**



Spare parts list

Year of production: >07/18

Pos.	Description	Part no.	PC	PU
1	handle	92886000	0	1
2	screw cover	95181000	0	1
3	flange	92625000	0	1
4	nut	92689000	0	1
5	O-ring 25x1,5	98146000	0	1
6	O-ring 27x1,5	92527000	0	1
7	cartridge, assy	95973001	0	1
8	seal	98865000	0	1
9	adapter for cartridge	92628000	0	1
10	adapter for cartridge	98866000	0	1
11	O-ring 23x2	98398000	0	1
12	O-ring 16x2	98133000	0	1
13	O-ring 20x1,5	98197000	0	1
14	aerator M24x1 (4,5 l/min)	93234000	0	1
15	special tool	95290000	0	1
16	O-ring 30x1,5	98433000	0	1
17	escutcheon Ø 46 mm	95268000	0	1
18	flat seal	98749000	0	1
19	fixing set (Ø 32)	13961000	0	1
20	lever collar	97548000	0	1
21	connection hose 23½" M8x0,75 3/8"	98600001	0	1
22	O-ring 7x1,5	98422000	0	1