

1/4" COMPRESSION OUTLET CONNECTION OUTLET BOX

696 series

Ox Box™

Item # Submitted	_____
Job Name	_____
Location	_____
Engineer	_____
Contractor	_____
PO#	_____ TAG _____

SPECIFICATION

Sioux Chief 696 series Ox Box 1/4" compression outlet connection outlet box shall be used where necessary in plumbing supply systems. Box shall allow for mounting with supply line from top or bottom, on-stud or between studs. Unit shall be available with plain valve or valve and water hammer arrester. Arrester shall be certified to ASSE 1010 and shall be UPC listed. Metal support bracket shall install into top track of box for between stud configuration. Outlet connection shall be generally 1/4".

MATERIALS

outlet box: ABS

frame: ABS

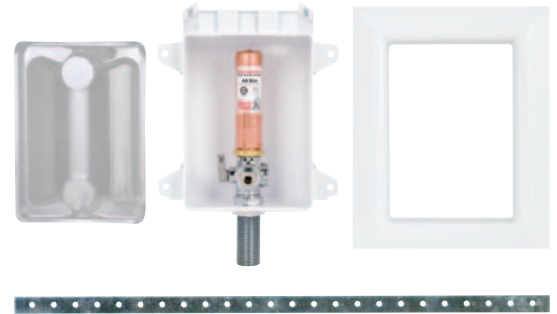
bracket: galvanized steel

arrester body: type L copper tube

piston: polypropylene with two EPDM o-rings

piston lubrication: Dow-Corning, 111 FDA approved silicone compound

valve body: chrome-plated forged brass



696-1010MF

VALVE/ARRESTER WORKING LIMITS

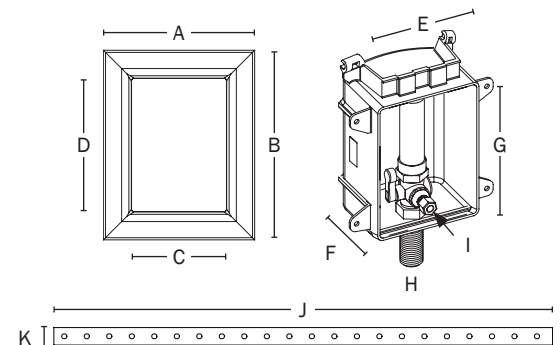
max working temperature: 250°F

max testing air pressure: 100 PSIG

max working/testing pressure: 250 PSIG

DIMENSIONS

A: frame width	5 3/4"
B: frame height	7 1/4"
C: frame opening width	3 5/8"
D: frame opening height	5 1/8"
E: rough-in box inner width	4"
F: rough-in box overall depth	3 1/2"
G: rough-in box inner height	5 1/2"
H: supply connection	1/2" nominal (see 'C' below)
I: outlet connection	1/4" compression
J: bracket length	18"
K: bracket width	5/8"
bracket thickness	16 gauge



CERTIFICATIONS/APPROVALS

Listed by UPC/IAPMO to meet UPC

Conforms to IPC

Valves meet ASME A112.18.1

SCM items available with no-lead valves are compliant with NSF-61 Annex G and California No Lead Plumbing Law



Create Item Number

696 A 10 B 0 C D

e.g. 696-1010MF = 1/4" compression outlet connection box, female sweat valve with arrester, packaged with frame

A VALVES	C SUPPLY CONNECTION	D FRAME PACKAGING
<input type="checkbox"/> - Plain valve	<input type="checkbox"/> M 1/2" female sweat	<input type="checkbox"/> F Standard pack (supply box, frame, bracket, debris cover)
<input type="checkbox"/> -G No-lead valves ¹	<input type="checkbox"/> C 1/2" male CPVC	<input type="checkbox"/> R Rough-in pack ² (supply box, bracket, debris cover)
B ARRESTER	<input type="checkbox"/> X 1/2" PEX crimp F1807	
<input type="checkbox"/> 0 No arrester	<input type="checkbox"/> W 1/2" PEX cold expansion F1960	
<input type="checkbox"/> 1 With arrester	<input type="checkbox"/> V 1/2" Viega PureFlow® PEX	
	<input type="checkbox"/> A 1/2" PEX cold expansion F2080	

¹ Compliant with NSF-61 Annex G and California No Lead Plumbing Law

² Order frame (696-1F) separately.