

# GAS OUTLET BOX

696 series

Ox Box™

Item # Submitted	_____
Job Name	_____
Location	_____
Engineer	_____
Contractor	_____
PO#	_____ TAG _____

## SPECIFICATION

Sioux Chief 696 series Ox Box gas outlet box shall be used where necessary in plumbing and gas supply systems for residential or commercial units. Box shall allow for mounting with supply line from top or bottom, on-stud or between studs. Unit shall be available with yellow handle. Valve shall be available with or without brass shank. Metal support bracket shall install into top track of box for between stud configuration. Outlet shall be 1/2" or 3/4". Valve shall be 1/4-turn operation.

## MATERIALS

- outlet box: ABS
- frame: ABS
- bracket: galvanized steel
- valve body: cast brass
- valve handle: powder-coated yellow zinc
- screw: chrome steel
- shank: zinc
- adapter\*: brass
- plug: steel
- components: PTFE seats and chrome-plated brass ball

\* Available in 1/2" and 3/4".



696-1020GF

## VALVE RATING

- max working pressure: 1/2 PSIG
- max testing pressure: 10 PSI

## GAS/GAS MIXES

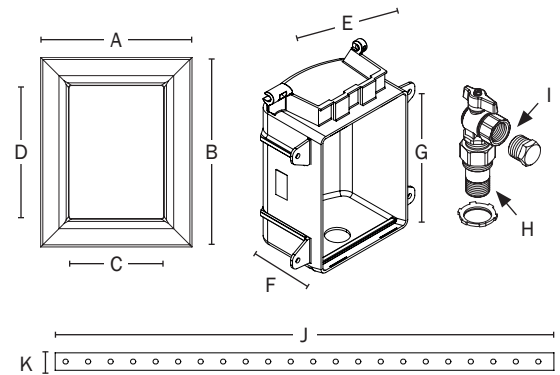
- natural gas
- propane

## CERTIFICATIONS/APPROVALS

- ANSI Z21.15
- CSA

## DIMENSIONS

- A: frame width 5 3/4"
- B: frame height 7 1/4"
- C: frame opening width 3 5/8"
- D: frame opening height 5 1/8"
- E: rough-in box inner width 4"
- F: rough-in box overall depth 3 1/2"
- G: rough-in box inner height 5 1/2"
- H: supply connection (see 'A' and 'B' below)
- I: outlet connection (see 'A' below)
- J: bracket length 18"
- K: bracket width 5 5/8"
- bracket thickness 18 gauge



Create Item Number

**696-10 A B GF**

e.g. 696-1020GF = Gas Ox Box with 1/2" inlet and outlet

- A VALVE CONNECTION**
- 2 1/2" outlet x 1/2" inlet
  - 3 3/4" outlet x 3/4" inlet

- B ADAPTER**
- 0 none
  - 1 female x male NPT adapter