

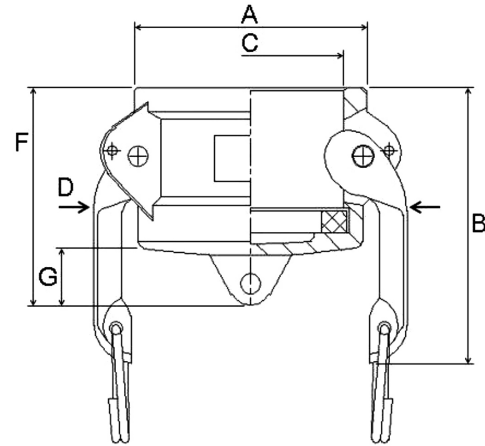
# STAINLESS STEEL - DUST CAP, TYPE - DC



A-A-59326D COMPATIBLE | MATERIALS: CF8M MOD

## STANDARD MATERIALS

Description	Material
Body	Stainless-Steel (#316)
Gasket	Buna-N (Standard Offer)
Arm	Stainless-Steel (#304)
Pin	Stainless-Steel
Pull-Ring	Stainless-Steel
Safety-Pin	Steel (Plated)



## DIMENSIONS (INCHES)

Product Code	Size	A	B	C	D	*E*	F	G
FNWCGDCSSD	1/2"	1.32	1.92	1.00	1.80	2.56	1.70	0.38
FNWCGDCSSF	3/4"	1.61	1.94	1.28	2.10	2.62	1.81	0.47
FNWCGDCSSG	1"	1.85	2.19	1.47	2.40	2.91	2.09	0.47
FNWCGDCSSH	1-1/4"	2.26	3.09	1.81	3.25	3.47	2.30	0.47
FNWCGDCSSJ	1-1/2"	2.58	3.12	2.13	3.56	3.54	2.34	0.46
FNWCGDCSSK	2"	2.91	3.14	2.51	3.93	3.52	2.57	0.47
FNWCGDCSSL	2-1/2"	3.54	3.33	3.01	4.43	3.52	2.75	0.47
FNWCGDCSSM	3"	4.17	3.73	3.63	5.42	4.04	2.81	0.47
FNWCGDCSSP	4"	5.45	3.74	4.73	6.52	4.75	2.83	0.47
FNWCGDCSSU	6"	7.62	5.47	6.95	9.38	5.59	3.54	0.77

\*E\* dimension for Arm & Ring "stretched", shown as Type-B specification sheet. For safety reasons, dust caps and dust plugs should not be used in pressure applications.