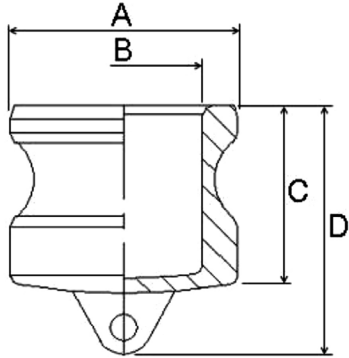


STAINLESS STEEL - DUST PLUG, TYPE - DP



A-A-59326D COMPATIBLE | MATERIALS: CF8M MOD



DIMENSIONS (INCHES)

Product Code	Size	A	B	C	D
FNWCGDPSSD	1/2"	0.96	0.55	1.09	1.41
FNWCGDPSSF	3/4"	1.26	0.83	1.08	1.59
FNWCGDPSSG	1"	1.44	0.94	1.44	1.91
FNWCGDPSSH	1-1/4"	1.79	1.21	1.65	2.13
FNWCGDPSSJ	1-1/2"	2.10	1.52	1.73	2.23
FNWCGDPSSK	2"	2.48	1.81	2.00	2.50
FNWCGDPSSL	2-1/2"	2.98	2.28	2.09	2.56
FNWCGDPSSM	3"	3.60	2.88	2.17	2.64
FNWCGDPSSP	4"	4.71	3.87	2.07	2.71
FNWCGDPSSU	6"	6.93	5.91	2.58	3.35

For safety reasons, dust caps and dust plugs should not be used in pressure applications.