



SPECIFICATION SHEET

DRAC14A(-)W Series AIR CONDITIONERS



**EFFICIENCIES:
14 SEER/12.5 EER**

**NOMINAL SIZES 1.5 TO 5 TON
[5.28 TO 17.6 KW]**

PRODUCT FEATURES

- Outdoor air conditioner designed for ground level or rooftop installations. These units offer comfort and dependability for single, multi-family and light commercial applications.
- Painted louvered steel cabinet
- Easily accessible control box
- Condenser coils constructed with copper tubing and enhanced aluminum fins
- Grille/Motor mount for quiet fan operation
- Filter Drier (shipped – not installed)

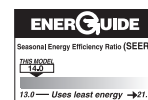




TABLE OF CONTENTS

Model Number Identification	3
Available SKUs	3
Electrical & Physical Data	4
Weighted Sound Power	4
Unit Dimensions	5
Refrigerant Line Size Information	6-9
Performance Data	10
Limited Warranty	11



Air Conditioners*

<u>DR</u>	<u>AC</u>	<u>14</u>	<u>A</u>	<u>24</u>	<u>W</u>	<u>J</u>	<u>1</u>	<u>N</u>	<u>A</u>
Brand	Product Category	SEER		Capacity BTU/HR	Major Series*	Voltage	Type	Controls	Minor Series**
Durastar	A - Air Conditioners	14 - 14 SEER	A - R410A	18 - 18,000 [5.28 kW] 24 - 24,000 [7.03 kW] 30 - 30,000 [8.79 kW] 36 - 36,000 [10.55 kW] 43 - 42,000 [12.31 kW] 48 - 48,000 [14.07 kW] 60 - 60,000 [17.58 kW]	W - Southwest Region X - Southwest Region 2nd Series	J - 1ph, 208-230/60	1 - Single-stage	N - Non-Communicating	A - 1st Design

[] Designates Metric Conversions

Available SKUs

Available Models
DRAC14A18WJ1NA
DRAC14A24WJ1NA
DRAC14A30WJ1NA
DRAC14A36WJ1NA
DRAC14A42WJ1NA
DRAC14A48WJ1NA
DRAC14A60WJ1NA



Electrical and Physical Data

Physical Data							
Model No. #	DRAC14A18W	DRAC14A24W	DRAC14A30W	DRAC14A36W	DRAC14A42W	DRAC14A48W	DRAC14A60W
Nominal Tonnage	1.5	2.0	2.5	3.0	3.5	4.0	5.0
Valve Connections							
Liquid Line O.D. - in.	3/8	3/8	3/8	3/8	3/8	3/8	3/8
Suction Line O.D. - in.	3/4	3/4	3/4	3/4	7/8	7/8	7/8
Refrigerant (R410A) furnished oz.¹	80.9	85	98	120	164	207	228
Compressor Type	Scroll						
Outdoor Coil							
Net face area - Outer Coil	11.8	13.7	16.39	21.85	21.85	21.9	21.9
Tube diameter - in.	3/8	3/8	3/8	3/8	3/8	3/8	3/8
Number of rows	1	1	1	1	1	2	2
Fins per inch	22	22	22	22	22	20	20
Outdoor Fan							
Diameter - in.	22	22	24	24	22	24	24
Number of blades	2	2	2	3	3	3	3
Motor hp	1/10	1/12	1/8	1/5	1/4	1/3	1/3
cfm	2049	2077	3000	3500	3600	3615	3615
rpm	825	841	850	850	1075	1075	1075
watts	122	76	135	228	244	195	311
Shipping weight - lbs.	157	171	175	201	201	269	274
Operating weight - lbs.	150	164	168	194	194	262	267
Electrical Data							
Line Voltage Data (Volts-Phase-Hz)	208/230-1-60	208/230-1-60	208/230-1-60	208/230-1-60	208/230-1-60	208/230-1-60	208/230-1-60
Maximum overcurrent protection (amps)²	20	25	25	35	40	50	60
Minimum circuit ampacity³	12	15	17	23	25	29	35
Compressor							
Rated load amps	9.0	11.2	14.3	17.1	18.6	21.8	26.4
Locked rotor amps	46	60.8	67.8	83.9	109	117	134
Condenser Fan Motor							
Full load amps	0.5	0.36	0.68	3.5	1	1.7	1.7
Locked rotor amps	1.0	1.0	1.3	2.4	2.5	3.2	3.2

¹Refrigerant charge sufficient for 15 ft. length of refrigerant lines. For longer line set requirements see the installation instructions for information about set length and additional refrigerant charge required.

²HACR type circuit breaker or fuse.

³Refer to National Electrical Code manual to determine wire, fuse and disconnect size requirements.

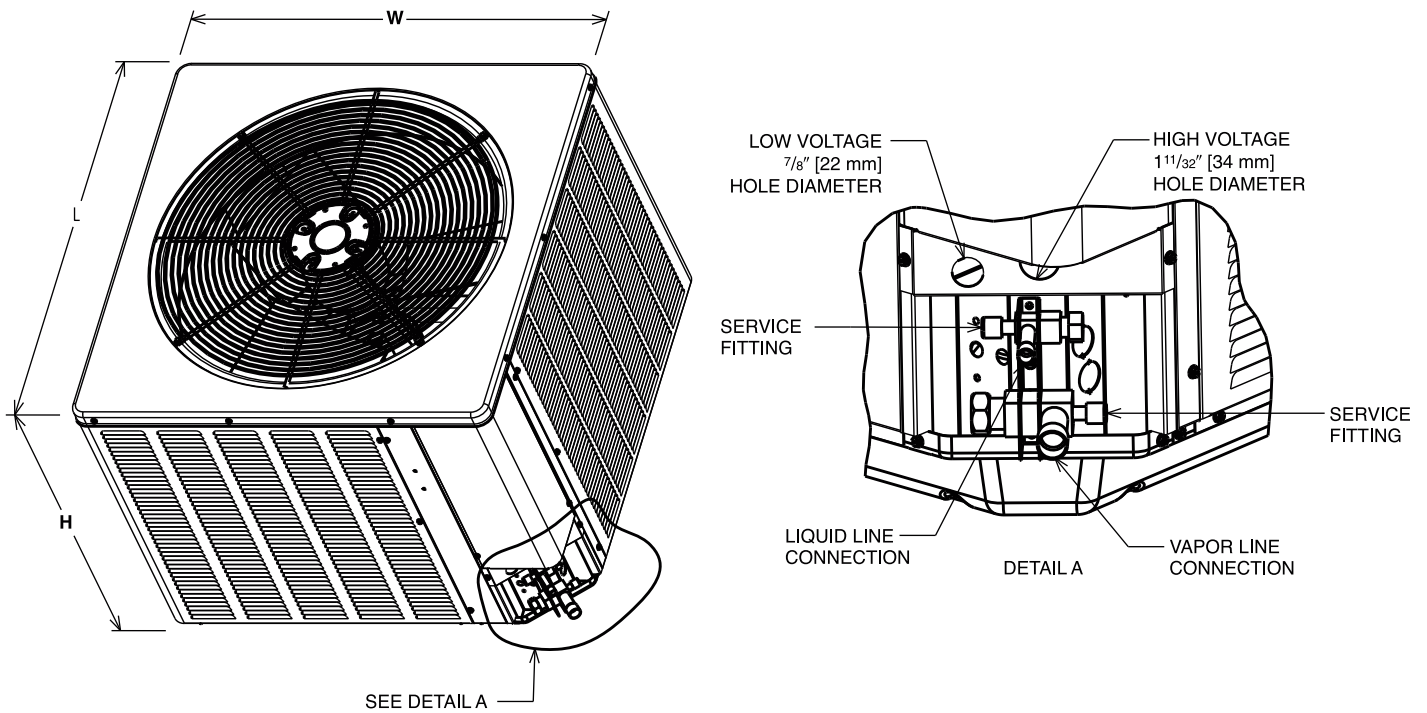
Weighted Sound Power Level (dBA)

Model	Standard Rating (dBA)
DRAC14A18WJ1NA	76
DRAC14A24WJ1NA	74
DRAC14A30XJ1NA	71
DRAC14A36XJ1NA	72
DRAC14A42XJ1NA	75
DRAC14A48WJ1NA	75
DRAC14A60WJ1NA	76

Unit Dimensions

MODEL NUMBER	OPERATING						SHIPPING					
	H (Height)		L (Length)		W (Width)		H (Height)		L (Length)		W (Width)	
	INCHES	mm	INCHES	mm	INCHES	mm	INCHES	mm	INCHES	mm	INCHES	mm
14A18W	24.25	616	27.63	702	27.63	702	24.50	622	28.75	730	28.75	730
14A24W	24.25	616	27.63	702	27.63	702	24.50	622	28.75	730	28.75	730
14A30X	27.38	695	31.63	803	31.63	803	27.63	702	32.75	832	32.75	832
14A36X	35.38	899	31.63	803	31.63	803	35.63	905	32.75	832	32.75	832
14A42X	35.38	899	31.63	803	31.63	803	35.63	905	32.75	832	32.75	832
14A48W	35.38	899	31.63	803	31.63	803	35.63	905	32.75	832	32.75	832
14A60W	35.38	899	31.63	803	31.63	803	35.63	905	32.75	832	32.75	832

[] Designates Metric Conversions



NOTE: Illustrations show the deep drawn basepan.



Air Conditioners Refrigerant Line Size Information

Unit Size	Allowable Liquid Line Size	Allowable Suction Line Size	Apply Long Line Guidelines if Linear Line Length Exceeds Those Shown Below			Equivalent Length (Feet)											
			DRAC13A	DRAC14A A/B/C	DRAC14A W/X	Maximum Vertical Rise (Outdoor Unit Below Indoor Unit) * / Capacity Multiplier											
						< 25	26-50	51-75	76-100	101-125	126-150	151-175	176-200	201-225	226-250		
1.5 Ton **SEE NOTE 3	1/4"	5/8"	N/A	N/A	N/A	25/1.00	50/0.99	62/0.98	43/0.98	24/0.97	5/0.97	NR	NR	NR	NR	NR	NR
	5/16"	5/8"	225	188	190	25/1.00	50/0.99	75/0.98	98/0.98	93/0.97	88/0.97	83/0.96	78/0.96	73/0.95	68/0.94	68/0.94	68/0.94
	3/8"	5/8"	150	125	127	25/1.00	50/0.99	75/0.98	100/0.98	100/0.97	100/0.97	100/0.96	100/0.96	100/0.95	100/0.94	100/0.94	100/0.94
	1/4"	3/4"	N/A	N/A	N/A	25/1.00	50/1.00	62/0.99	43/0.99	24/0.99	5/0.99	NR	NR	NR	NR	NR	NR
	5/16"	3/4"	225	188	190	25/1.00	50/1.00	75/0.99	98/0.99	93/0.99	88/0.99	83/0.99	78/0.98	73/0.98	68/0.98	68/0.98	68/0.98
	3/8"	3/4"	150	125	127	25/1.00	50/1.00	75/1.00	100/0.99	100/0.99	100/0.99	100/0.99	100/0.98	100/0.98	100/0.98	100/0.98	100/0.98
	1/4"	5/8"	N/A	N/A	N/A	25/0.99	50/0.98	21/0.97	NR	NR	NR	NR	NR	NR	NR	NR	NR
	5/16"	5/8"	223	180	180	25/0.99	50/0.98	75/0.97	87/0.96	77/0.95	69/0.94	61/0.93	53/0.92	45/0.91	37/0.90	37/0.90	37/0.90
2 Ton	3/8"	5/8"	148	120	120	25/0.99	50/0.98	75/0.97	100/0.96	100/0.96	100/0.94	98/0.93	95/0.92	89/0.90	89/0.90	89/0.90	89/0.90
	1/4"	3/4"	N/A	N/A	N/A	25/1.00	50/1.00	21/0.99	NR	NR	NR	NR	NR	NR	NR	NR	NR
	5/16"	3/4"	223	180	180	25/1.00	50/1.00	75/0.99	87/0.99	77/0.98	69/0.98	61/0.98	53/0.97	45/0.97	37/0.96	37/0.96	37/0.96
	3/8"	3/4"	148	120	120	25/1.00	50/1.00	75/0.99	100/0.99	100/0.98	100/0.98	98/0.98	95/0.97	93/0.97	90/0.96	90/0.96	90/0.96
	5/16"	5/8"	148	148	113	25/0.99	50/0.98	75/0.96	70/0.94	59/0.93	48/0.91	36/0.90	NR	NR	NR	NR	NR
	3/8"	5/8"	98	98	75	25/0.99	50/0.98	75/0.96	100/0.94	98/0.93	94/0.91	90/0.90	NR	NR	NR	NR	NR
	5/16"	3/4"	148	148	113	25/1.00	50/0.99	75/0.99	70/0.98	59/0.98	48/0.97	36/0.96	25/0.96	13/0.95	NR	NR	NR
	3/8"	3/4"	98	98	75	25/1.00	50/0.99	75/0.99	100/0.98	98/0.98	94/0.97	90/0.96	86/0.96	82/0.95	78/0.95	78/0.95	78/0.95
3 Ton	5/16"	5/8"	N/A	73	73	25/0.99	50/0.97	66/0.94	49/0.92	32/0.90	NR	NR	NR	NR	NR	NR	NR
	3/8"	5/8"	110	48	48	25/0.99	50/0.97	75/0.94	95/0.92	89/0.90	NR	NR	NR	NR	NR	NR	NR
	5/16"	3/4"	N/A	73	73	25/1.00	50/0.99	66/0.98	49/0.98	32/0.97	15/0.96	NR	NR	NR	NR	NR	NR
	3/8"	3/4"	110	48	48	25/1.00	50/0.99	75/0.98	95/0.98	89/0.97	84/0.96	78/0.95	72/0.94	67/0.93	61/0.93	61/0.93	61/0.93
	1/2"	3/4"	55	24	24	25/1.00	50/0.99	75/0.98	100/0.98	100/0.97	100/0.96	100/0.95	100/0.94	100/0.93	100/0.93	100/0.93	100/0.93
	5/16"	7/8"	N/A	73	73	25/1.00	50/1.00	66/1.00	49/0.99	32/0.99	15/0.99	NR	NR	NR	NR	NR	NR
	3/8"	7/8"	110	48	48	25/1.00	50/1.00	75/1.00	95/0.99	89/0.99	84/0.99	78/0.98	72/0.98	67/0.98	61/0.97	61/0.97	61/0.97
	1/2"	7/8"	55	24	24	25/1.00	50/1.00	75/1.00	100/0.99	100/0.99	100/0.99	100/0.99	100/0.98	100/0.98	100/0.97	100/0.97	100/0.97
3.5 Ton	3/8"	3/4"	148	100	100	25/0.99	50/0.98	75/0.97	88/0.96	80/0.95	72/0.94	65/0.92	57/0.91	49/0.90	NR	NR	NR
	1/2"	3/4"	74	50	50	25/0.99	50/0.98	75/0.97	100/0.96	100/0.95	100/0.94	100/0.92	100/0.91	100/0.90	NR	NR	NR
	3/8"	7/8"	148	100	100	25/1.00	50/1.00	75/0.99	88/0.99	80/0.99	72/0.98	65/0.97	57/0.97	49/0.96	42/0.96	42/0.96	42/0.96
	1/2"	7/8"	74	50	50	25/1.00	50/1.00	75/0.99	100/0.99	100/0.99	100/0.98	100/0.97	100/0.97	100/0.96	100/0.96	100/0.96	100/0.96

NOTES:

- Do not exceed 200 ft linear line length.
- Do not exceed 100 ft vertical separation if outdoor unit is above indoor unit.
- **3/4" suction line should only be used for 1.5 ton systems if outdoor unit is below or at same level as indoor to assure proper oil return.
- Always use the smallest liquid line allowable to minimize refrigerant charge.
- Applications shaded in light gray indicate capacity multipliers between 0.90 and 0.96 which are not recommended, but are allowed.
- Applications shaded in dark gray are not recommended due to excessive liquid or suction pressure drop.



Air Conditioners Refrigerant Line Size Information

13 - 14 SEER Single-Stage Air-Conditioners															
Unit Size	Allowable Liquid Line Size	Allowable Suction Line Size	Apply Long Line Guidelines if Linear Line Length Exceeds Those Shown Below (Feet)			Equivalent Length (Feet)									
			DRAC13A	DRAC14A A/B/C	DRAC14A W/X	< 25	26-50	51-75	76-100	101-125	126-150	151-175	176-200	201-225	226-250
			Maximum Vertical Rise (Outdoor Unit Below Indoor Unit) * / Capacity Multiplier												
4 Ton	3/8"	3/4"	82	82	0	25/0.99	50/0.98	75/0.96	77/0.95	67/0.93	57/0.92	46/0.91	NR	NR	NR
	1/2"	3/4"	41	41	0	25/0.99	50/0.98	75/0.96	100/0.95	100/0.93	100/0.92	100/0.91	NR	NR	NR
	3/8"	7/8"	82	82	0	25/1.00	50/0.99	75/0.99	77/0.98	67/0.97	57/0.97	46/0.96	36/0.96	26/0.95	15/0.95
	1/2"	7/8"	41	41	0	25/1.00	50/0.99	75/0.99	100/0.98	100/0.97	100/0.97	100/0.96	100/0.96	99/0.95	97/0.95
5 Ton	3/8"	3/4"	0	0	0	25/0.99	50/0.97	75/0.94	61/0.92	46/0.90	NR	NR	NR	NR	NR
	1/2"	3/4"	0	0	0	25/0.99	50/0.97	75/0.94	100/0.92	100/0.90	NR	NR	NR	NR	NR
	3/8"	7/8"	0	0	0	25/1.00	50/0.99	75/0.98	61/0.97	46/0.96	32/0.95	18/0.94	NR	NR	NR
	1/2"	7/8"	0	0	0	25/1.00	50/0.99	75/0.98	100/0.97	100/0.96	100/0.95	97/0.94	95/0.94	92/0.93	89/0.92
	3/8"	1-1/8"	0	0	0	25/1.01	50/1.01	75/1.00	61/1.00	46/0.99	32/0.99	18/0.99	NR	NR	NR
	1/2"	1-1/8"	0	0	0	25/1.01	50/1.01	75/1.00	100/1.00	100/0.99	100/0.99	97/0.99	95/0.99	92/0.99	89/0.98

NOTES:

1. Do not exceed 200 ft linear line length.
2. * Do not exceed 100 ft vertical separation if outdoor unit is above indoor unit.
3. ** 3/4" suction line should only be used for 1.5 ton systems if outdoor unit is below or at same level as indoor to assure proper oil return.
4. Always use the smallest liquid line allowable to minimize refrigerant charge.
5. Applications shaded in light gray indicate capacity multipliers between 0.90 and 0.96 which are not recommended, but are allowed.
6. Applications shaded in dark gray are not recommended due to excessive liquid or suction pressure drop.



Air Conditioners Refrigerant Line Size Information

Unit Size	Allowable Liquid Line Size mm [in.]	Allowable Suction Line Size mm [in.]	Apply Long Line Guidelines if Linear Line Length Exceeds Those Shown Below (Meters)			Equivalent Length (Meters)																				
			DRAC13A	DRAC14A A/B/C	DRAC14A W/X	Maximum Vertical Rise (Outdoor Unit Below Indoor Unit) * / Capacity Multiplier																				
						< 8	8-15	16-23	24-30	31-38	39-46	47-53	54-61	62-69	70-76											
5.3 kW [1.5 Ton] **SEE NOTE 3	6.35 [1/4]	15.88 [5/8]	N/A	N/A	N/A	8 / 1.00	15 / 0.99	19 / 0.98	13 / 0.98	7 / 0.97	2 / 0.97	NR	NR	NR	NR	NR	NR	NR	NR	NR	NR	NR	NR			
	7.94 [5/16]	15.88 [5/8]	69	57	58	8 / 1.00	15 / 0.99	23 / 0.98	30 / 0.98	28 / 0.97	27 / 0.97	25 / 0.96	24 / 0.96	22 / 0.95	21 / 0.94	22 / 0.95	20 / 0.94	21 / 0.94	22 / 0.95	20 / 0.94	21 / 0.94	22 / 0.95	20 / 0.94	21 / 0.94		
	9.53 [3/8]	15.88 [5/8]	46	38	39	8 / 1.00	15 / 0.99	23 / 0.98	30 / 0.98	30 / 0.97	30 / 0.97	30 / 0.96	30 / 0.96	30 / 0.95	30 / 0.94	30 / 0.95	30 / 0.94	30 / 0.94	30 / 0.95	30 / 0.94	30 / 0.95	30 / 0.94	30 / 0.95	30 / 0.94	30 / 0.94	
	6.35 [1/4]	19.05 [3/4]**	N/A	N/A	N/A	8 / 1.00	15 / 1.00	19 / 0.99	13 / 0.99	7 / 0.99	2 / 0.99	NR	NR	NR	NR	NR	NR	NR	NR	NR	NR	NR	NR	NR	NR	
	7.94 [5/16]	19.05 [3/4]**	69	57	58	8 / 1.00	15 / 1.00	23 / 0.99	30 / 0.99	28 / 0.99	27 / 0.99	25 / 0.99	24 / 0.98	22 / 0.98	21 / 0.98	22 / 0.98	20 / 0.98	21 / 0.98	22 / 0.98	20 / 0.98	21 / 0.98	22 / 0.98	20 / 0.98	21 / 0.98	21 / 0.98	
	9.53 [3/8]	19.05 [3/4]**	46	38	39	8 / 1.00	15 / 1.00	23 / 0.99	30 / 0.99	30 / 0.99	30 / 0.99	30 / 0.99	30 / 0.98	30 / 0.98	30 / 0.99	30 / 0.98	30 / 0.99	30 / 0.98	30 / 0.98	30 / 0.99	30 / 0.98	30 / 0.98	30 / 0.98	30 / 0.98	30 / 0.98	30 / 0.98
7.0 kW [2 Ton]	6.35 [1/4]	15.88 [5/8]	N/A	N/A	N/A	8 / 0.99	15 / 0.98	6 / 0.97	NR	NR	NR	NR	NR	NR	NR	NR	NR	NR	NR	NR	NR	NR	NR	NR	NR	
	7.94 [5/16]	15.88 [5/8]	68	55	55	8 / 0.99	15 / 0.98	23 / 0.97	27 / 0.96	23 / 0.95	21 / 0.94	19 / 0.93	16 / 0.92	14 / 0.91	11 / 0.90	14 / 0.91	11 / 0.90	11 / 0.90	14 / 0.91	11 / 0.90	11 / 0.90	14 / 0.91	11 / 0.90	11 / 0.90	11 / 0.90	
	9.53 [3/8]	15.88 [5/8]	45	37	37	8 / 0.99	15 / 0.98	23 / 0.97	30 / 0.96	30 / 0.95	30 / 0.94	30 / 0.93	29 / 0.92	28 / 0.91	27 / 0.90	28 / 0.91	27 / 0.90	27 / 0.90	28 / 0.91	27 / 0.90	28 / 0.91	27 / 0.90	28 / 0.91	27 / 0.90	27 / 0.90	
	6.35 [1/4]	19.05 [3/4]	N/A	N/A	N/A	8 / 1.00	15 / 1.00	6 / 0.99	NR	NR	NR	NR	NR	NR	NR	NR	NR	NR	NR	NR	NR	NR	NR	NR	NR	NR
	7.94 [5/16]	19.05 [3/4]	68	55	55	8 / 1.00	15 / 1.00	23 / 0.99	27 / 0.99	23 / 0.98	21 / 0.98	19 / 0.98	16 / 0.97	14 / 0.97	11 / 0.96	14 / 0.97	11 / 0.96	11 / 0.96	14 / 0.97	11 / 0.96	11 / 0.96	14 / 0.97	11 / 0.96	11 / 0.96	11 / 0.96	
	9.53 [3/8]	19.05 [3/4]	45	37	37	8 / 1.00	15 / 1.00	23 / 0.99	30 / 0.99	30 / 0.99	30 / 0.98	30 / 0.98	30 / 0.98	29 / 0.97	28 / 0.97	28 / 0.97	28 / 0.97	28 / 0.97	28 / 0.97	28 / 0.97	28 / 0.97	28 / 0.97	28 / 0.97	28 / 0.97	28 / 0.97	28 / 0.97
8.8 kW [2.5 Ton]	7.94 [5/16]	15.88 [5/8]	45	45	34	8 / 0.99	15 / 0.98	23 / 0.96	21 / 0.94	18 / 0.93	15 / 0.91	11 / 0.90	NR	NR	NR	NR	NR	NR	NR	NR	NR	NR	NR	NR	NR	
	9.53 [3/8]	15.88 [5/8]	30	30	23	8 / 0.99	15 / 0.98	23 / 0.96	30 / 0.94	30 / 0.93	29 / 0.91	27 / 0.90	NR	NR	NR	NR	NR	NR	NR	NR	NR	NR	NR	NR	NR	
	7.94 [5/16]	19.05 [3/4]	45	45	34	8 / 1.00	15 / 0.99	23 / 0.99	21 / 0.98	18 / 0.98	15 / 0.97	11 / 0.96	8 / 0.96	4 / 0.95	NR	4 / 0.95	NR	NR	NR	NR	NR	NR	NR	NR	NR	
	9.53 [3/8]	19.05 [3/4]	30	30	23	8 / 1.00	15 / 0.99	23 / 0.99	30 / 0.98	30 / 0.98	29 / 0.97	27 / 0.96	26 / 0.96	25 / 0.95	24 / 0.95	25 / 0.95	24 / 0.95	24 / 0.95	25 / 0.95	24 / 0.95	25 / 0.95	24 / 0.95	25 / 0.95	24 / 0.95	24 / 0.95	
	7.94 [5/16]	15.88 [5/8]	N/A	22	22	8 / 0.99	15 / 0.97	20 / 0.94	15 / 0.92	10 / 0.90	NR	NR	NR	NR	NR	NR	NR	NR	NR	NR	NR	NR	NR	NR	NR	NR
	9.53 [3/8]	15.88 [5/8]	34	15	15	8 / 0.99	15 / 0.97	23 / 0.94	29 / 0.92	27 / 0.90	NR	NR	NR	NR	NR	NR	NR	NR	NR	NR	NR	NR	NR	NR	NR	NR
10.6 kW [3 Ton]	7.94 [5/16]	19.05 [3/4]	N/A	22	22	8 / 1.00	15 / 0.99	20 / 0.98	15 / 0.98	10 / 0.97	5 / 0.96	NR	NR	NR	NR	NR	NR	NR	NR	NR	NR	NR	NR	NR	NR	
	9.53 [3/8]	19.05 [3/4]	34	15	15	8 / 1.00	15 / 0.99	23 / 0.98	29 / 0.98	27 / 0.97	26 / 0.96	24 / 0.95	22 / 0.94	20 / 0.93	19 / 0.93	20 / 0.93	19 / 0.93	20 / 0.93	19 / 0.93	20 / 0.93	19 / 0.93	20 / 0.93	19 / 0.93	20 / 0.93	19 / 0.93	
	12.7 [1/2]	19.05 [3/4]	17	7	7	8 / 1.00	15 / 0.99	23 / 0.98	30 / 0.98	30 / 0.97	30 / 0.96	30 / 0.95	30 / 0.94	30 / 0.93	30 / 0.93	30 / 0.93	30 / 0.93	30 / 0.94	30 / 0.93	30 / 0.93	30 / 0.93	30 / 0.93	30 / 0.93	30 / 0.93	30 / 0.93	
	7.94 [5/16]	22.23 [7/8]	N/A	22	22	8 / 1.00	15 / 1.00	20 / 1.00	15 / 0.99	10 / 0.99	5 / 0.99	NR	NR	NR	NR	NR	NR	NR	NR	NR	NR	NR	NR	NR	NR	NR
	9.53 [3/8]	22.23 [7/8]	34	15	15	8 / 1.00	15 / 1.00	23 / 1.00	29 / 0.99	27 / 0.99	26 / 0.99	24 / 0.98	22 / 0.98	20 / 0.97	19 / 0.97	20 / 0.97	19 / 0.97	20 / 0.97	19 / 0.97	20 / 0.97	19 / 0.97	20 / 0.97	19 / 0.97	20 / 0.97	19 / 0.97	
	12.7 [1/2]	22.23 [7/8]	17	7	7	8 / 1.00	15 / 1.00	23 / 1.00	30 / 0.99	30 / 0.99	30 / 0.99	30 / 0.98	30 / 0.98	30 / 0.98	30 / 0.98	30 / 0.98	30 / 0.98	30 / 0.98	30 / 0.98	30 / 0.98	30 / 0.98	30 / 0.98	30 / 0.98	30 / 0.98	30 / 0.98	
12.3 kW [3.5 Ton]	7.94 [5/16]	19.05 [3/4]	45	30	30	8 / 0.99	15 / 0.98	23 / 0.97	27 / 0.96	24 / 0.95	22 / 0.94	20 / 0.92	17 / 0.91	15 / 0.90	15 / 0.90	15 / 0.90	15 / 0.90	15 / 0.90	15 / 0.90	15 / 0.90	15 / 0.90	15 / 0.90	15 / 0.90	15 / 0.90	15 / 0.90	
	9.53 [3/8]	19.05 [3/4]	23	15	15	8 / 0.99	15 / 0.98	23 / 0.97	30 / 0.96	30 / 0.95	30 / 0.94	30 / 0.92	30 / 0.91	30 / 0.90	30 / 0.90	30 / 0.90	30 / 0.90	30 / 0.90	30 / 0.90	30 / 0.90	30 / 0.90	30 / 0.90	30 / 0.90	30 / 0.90	30 / 0.90	
	7.94 [5/16]	22.23 [7/8]	45	30	30	8 / 1.00	15 / 1.00	23 / 0.99	27 / 0.99	24 / 0.98	22 / 0.98	20 / 0.97	17 / 0.97	15 / 0.96	13 / 0.96	15 / 0.96	13 / 0.96	15 / 0.96	13 / 0.96	15 / 0.96	13 / 0.96	15 / 0.96	13 / 0.96	15 / 0.96	13 / 0.96	
	9.53 [3/8]	22.23 [7/8]	45	30	30	8 / 1.00	15 / 1.00	23 / 0.99	27 / 0.99	27 / 0.99	27 / 0.99	27 / 0.98	27 / 0.98	27 / 0.98	27 / 0.98	27 / 0.98	27 / 0.98	27 / 0.98	27 / 0.98	27 / 0.98	27 / 0.98	27 / 0.98	27 / 0.98	27 / 0.98	27 / 0.98	
	12.7 [1/2]	22.23 [7/8]	23	15	15	8 / 1.00	15 / 1.00	23 / 0.99	30 / 0.99	30 / 0.99	30 / 0.99	30 / 0.98	30 / 0.98	30 / 0.97	30 / 0.97	30 / 0.97	30 / 0.97	30 / 0.97	30 / 0.97	30 / 0.97	30 / 0.97	30 / 0.97	30 / 0.97	30 / 0.97	30 / 0.97	
	12.7 [1/2]	22.23 [7/8]	23	15	15	8 / 1.00	15 / 1.00	23 / 0.99	30 / 0.99	30 / 0.99	30 / 0.99	30 / 0.98	30 / 0.98	30 / 0.97	30 / 0.97	30 / 0.97	30 / 0.97	30 / 0.97	30 / 0.97	30 / 0.97	30 / 0.97	30 / 0.97	30 / 0.97	30 / 0.97	30 / 0.97	

NOTES:
 1. Do not exceed 61 meters linear line length.
 2. * Do not exceed 30 meters vertical separation if outdoor unit is above indoor unit.
 3. ** 19.05 mm [3/4"] suction line should only be used for 1.5 ton systems if outdoor unit is below or at same level as indoor to assure proper oil return.
 4. Always use the smallest liquid line allowable to minimize refrigerant charge.
 5. Applications shaded in light gray indicate capacity multipliers between 0.90 and 0.96 which are not recommended, but are allowed.
 6. Applications shaded in dark gray are not recommended due to excessive liquid or suction pressure drop.

[] Designates Metric Conversions



Air Conditioners Refrigerant Line Size Information

13 - 14 SEER Single-Stage Air-Conditioners															
Unit Size	Allowable Liquid Line Size mm [in.]	Allowable Suction Line Size mm [in.]	Apply Long Line Guidelines if Linear Line Length Exceeds Those Shown Below (Meters)			Equivalent Length (Meters)									
			DRAC13A	DRAC14A A/B/C	DRAC14A W/X	< 8	8-15	16-23	24-30	31-38	39-46	47-53	54-61	62-69	70-76
Maximum Vertical Rise (Outdoor Unit Below Indoor Unit) * / Capacity Multiplier															
14.1 kW [4 Ton]	9.53 [3/8]	19.05 [3/4]	25	25	0	8 / 0.99	15 / 0.98	23 / 0.96	24 / 0.95	20 / 0.93	17 / 0.92	14 / 0.91	NR	NR	NR
	12.7 [1/2]	19.05 [3/4]	12	12	0	8 / 0.99	15 / 0.98	23 / 0.96	30 / 0.95	30 / 0.93	30 / 0.92	30 / 0.91	NR	NR	NR
	9.53 [3/8]	22.23 [7/8]	25	25	0	8 / 1.00	15 / 0.99	23 / 0.99	24 / 0.98	20 / 0.97	17 / 0.97	14 / 0.96	11 / 0.96	8 / 0.95	5 / 0.95
	12.7 [1/2]	22.23 [7/8]	12	12	0	8 / 1.00	15 / 0.99	23 / 0.99	30 / 0.98	30 / 0.97	30 / 0.97	30 / 0.96	30 / 0.96	30 / 0.95	30 / 0.95
17.6 kW [5 Ton]	9.53 [3/8]	19.05 [3/4]	0	0	0	8 / 0.99	15 / 0.97	23 / 0.94	19 / 0.92	14 / 0.90	NR	NR	NR	NR	NR
	12.7 [1/2]	19.05 [3/4]	0	0	0	8 / 0.99	15 / 0.97	23 / 0.94	30 / 0.92	30 / 0.90	NR	NR	NR	NR	NR
	9.53 [3/8]	22.23 [7/8]	0	0	0	8 / 1.00	15 / 0.99	23 / 0.98	19 / 0.97	14 / 0.96	10 / 0.95	5 / 0.94	NR	NR	NR
	12.7 [1/2]	22.23 [7/8]	0	0	0	8 / 1.00	15 / 0.99	23 / 0.98	30 / 0.97	30 / 0.96	30 / 0.95	30 / 0.94	29 / 0.94	28 / 0.93	27 / 0.92
	9.53 [3/8]	28.58 [1-1/8]	0	0	0	8 / 1.01	15 / 1.01	23 / 1.00	19 / 1.00	14 / 0.99	10 / 0.99	5 / 0.99	NR	NR	NR
	12.7 [1/2]	28.58 [1-1/8]	0	0	0	8 / 1.01	15 / 1.01	23 / 1.00	30 / 1.00	30 / 0.99	30 / 0.99	30 / 0.99	29 / 0.99	28 / 0.99	27 / 0.98

NOTES:

- Do not exceed 61 meters linear line length.
- * Do not exceed 30 meters vertical separation if outdoor unit is above indoor unit.
- ** 19.05 mm [3/4"] suction line should only be used for 1.5 ton systems if outdoor unit is below or at same level as indoor to assure proper oil return.
- Always use the smallest liquid line allowable to minimize refrigerant charge.
- Applications shaded in light gray indicate capacity multipliers between 0.90 and 0.96 which are not recommended, but are allowed.
- Applications shaded in dark gray are not recommended due to excessive liquid or suction pressure drop.

[] Designates Metric Conversions



Performance Data @ AHRI Standard Conditions—Cooling

Designated Tested Combination (DTC)							
Outdoor Unit	Indoor Coil or Air Handler	Total Capacity BTU/H [kW]	Net Sensible BTU/H [kW]	Net Latent BTU/H [kW]	SEER	EER	Indoor CFM [L/s]
DRAC14A30XJ1	DRAEF3617STA	29000 [8.5]	21300 [6.3]	7700 [2.3]	14.0	12.2	1000 [471.9]
DRAC14A36XJ1	DRAEF3617STA	36000 [10.6]	25700 [7.6]	10300 [3.1]	14.0	12.2	1125 [530.9]
DRAC14A42XJ1	DRAEF4821MTA	41500 [12.2]	32100 [9.5]	9400 [2.8]	14.0	12.2	1350 [637.1]
DRAC14A48WJ1	DRAEF4821STA	46500 [13.6]	34100 [10.0]	12400 [3.6]	14.0	11.7	1375 [648.9]

NOTE: Additional ratings and system match ups and downloadable ratings certificates can be accessed from the AHRI website: www.ahridirectory.org

[] Designates Metric Conversions



GENERAL TERMS OF LIMITED WARRANTY*

Durastar will furnish a replacement for any part of this product which fails in normal use and service within the applicable period stated, in accordance with the terms of the limited warranty.

Parts.....Five (5) Years

***For complete details of the Limited and Conditional Warranties, including applicable terms and conditions, contact your local contractor or the Manufacturer for a copy of the product warranty certificate.**

Before proceeding with installation, refer to installation instructions packaged with each model, as well as complying with all Federal, State, Provincial, and Local codes, regulations, and practices.



"In keeping with its policy of continuous progress and product improvement, Durastar reserves the right to make changes without notice."