



SPECIFICATION SHEET

**DRAC14 Series**  
AIR CONDITIONERS

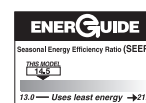


**COOLING EFFICIENCY:**  
14 SEER/12.5 EER

**AVAILABLE SIZES:**  
1.5 TO 5 TONS [5.28 to 17.6 kW]

**PRODUCT FEATURES**

- Outdoor air conditioner designed for ground level or rooftop installations. These units offer comfort and dependability for single, multi-family and light commercial applications.
- Painted louvered steel cabinet
- Easily accessible control box
- Condenser coils constructed with copper tubing and enhanced aluminum fins
- Grille/Motor mount for quiet fan operation
- Filter Drier (shipped – not installed)





## TABLE OF CONTENTS

Model Number Identification .....	3
Available SKUs .....	3
Electrical & Physical Data .....	4
Weighted Sound Power .....	4
Unit Dimensions .....	5
Refrigerant Line Size Information .....	6-7
Performance Data .....	8
Limited Warranty .....	9



# Air Conditioners\*

DR	AC	A	14	24	A	J	1	N	A
Brand	Product Category	SEER	Capacity BTU/HR	Major Series*	Voltage	Type	Controls	Minor Series**	
Durastar	A - Air Conditioners	A - R410A	14 - 14 SEER	18 - 18,000 [5.28 kW] 24 - 24,000 [7.03 kW] 30 - 30,000 [8.79 kW] 36 - 36,000 [10.55 kW] 42 - 42,000 [12.31 kW] 48 - 48,000 [14.07 kW] 60 - 60,000 [17.58 kW]	A - 1st Design B - 2nd Design C - 3rd Design	J - 1ph, 208-230/60	1 - Single-stage	N - Non-Communicating	A - 1st Design

[ J ] Designates Metric Conversions

## Available SKUs

Models
DRAC14A18AJ1NA
DRAC14A24BJ1NA
DRAC14A24CJ1NA
DRAC14A30BJ1NA
DRAC14A36BJ1NA
DRAC14A36CJ1NA
DRAC14A42CJ1NA
DRAC14A48BJ1NA
DRAC14A60AJ1NA



## Electrical and Physical Data

<b>Physical Data</b>									
Model No.	DRAC 14A18A	DRAC 14A24B	DRAC 14A24C	DRAC 14A30B	DRAC 14A36B	DRAC 14A36C	DRAC 14A42C	DRAC 14A48B	DRAC 14A60A
<b>Nominal Tonnage</b>	1.5	2.0	2.0	2.5	3.0	3.0	3.5	4.0	5.0
<b>Valve Connections</b>									
Liquid Line O.D. – in.	3/8	3/8	3/8	3/8	3/8	3/8	3/8	3/8	3/8
Suction Line O.D. – in.	5/8	3/4	3/4	3/4	3/4	3/4	7/8	7/8	7/8
<b>Refrigerant (R410A) furnished oz.<sup>1</sup></b>	82	89	85	98	122	128	135	146	228
<b>Compressor Type</b>	Scroll								
<b>Outdoor Coil</b>									
Net face area – Outer Coil	11.1	11.2	13.7	13.7	18.3	21.9	18.3	21.9	21.9
Net face area – Inner Coil	—	—	—	—	—	—	—	—	—
Tube diameter – in.	0.375	3/8	3/8	3/8	3/8	3/8	3/8	3/8	3/8
Number of rows	1	1	1	1	1	1	1	1	2
Fins per inch	22	22	22	22	22	22	22	22	22
<b>Outdoor Fan</b>									
Diameter – in.	18	18	22	22	22	24	22	24	24
Number of blades	2	2	2	2	2	3	3	3	3
Motor hp	1/10	1/10	1/12	1/8	1/5	1/5	1/4	1/5	1/3
CFM	1697	2105	2077	2121	2702	3430	3174	3571	3360
RPM	1100	1075	841	1075	819	850	1075	850	1085
watts	108	148	76	155	149	228	244	235	311
<b>Shipping weight – lbs.</b>	135	131.5	171	144.5	166	201	184	225	274
<b>Operating weight – lbs.</b>	128	124.5	164	137.5	159	194	176	205	254
<b>Electrical Data</b>									
<b>Line Voltage Data (Volts-Phase-Hz)</b>	208/230-1-60	208/230-1-60	208/230-1-60	208/230-1-60	208/230-1-60	208/230-1-60	208/230-1-60	208/230-1-60	208/230-1-60
<b>Maximum overcurrent protection (amps)<sup>2</sup></b>	20	25	25	25	30	35	35	45	60
<b>Minimum circuit ampacity<sup>3</sup></b>	13	15	15	17	19	21	23	26	35
<b>Compressor</b>									
Rated load amps	9.7	11.2	11.2	12.8	14.1	15.4	16.7	19.9	26.4
Locked rotor amps	46	60.8	60.8	64	77	84	109	109	134
<b>Condenser Fan Motor</b>									
Full load amps	0.5	0.6	.36	0.7	1.2	1.0	1.3	1	1.7
Locked rotor amps	1.3	1.3	1	1.2	2	2	2.5	2.3	3.2

<sup>1</sup>Refrigerant charge sufficient for 15 ft. length of refrigerant lines. For longer line set requirements see the installation instructions for information about set length and additional refrigerant charge required.

<sup>2</sup>HACR type circuit breaker or fuse.

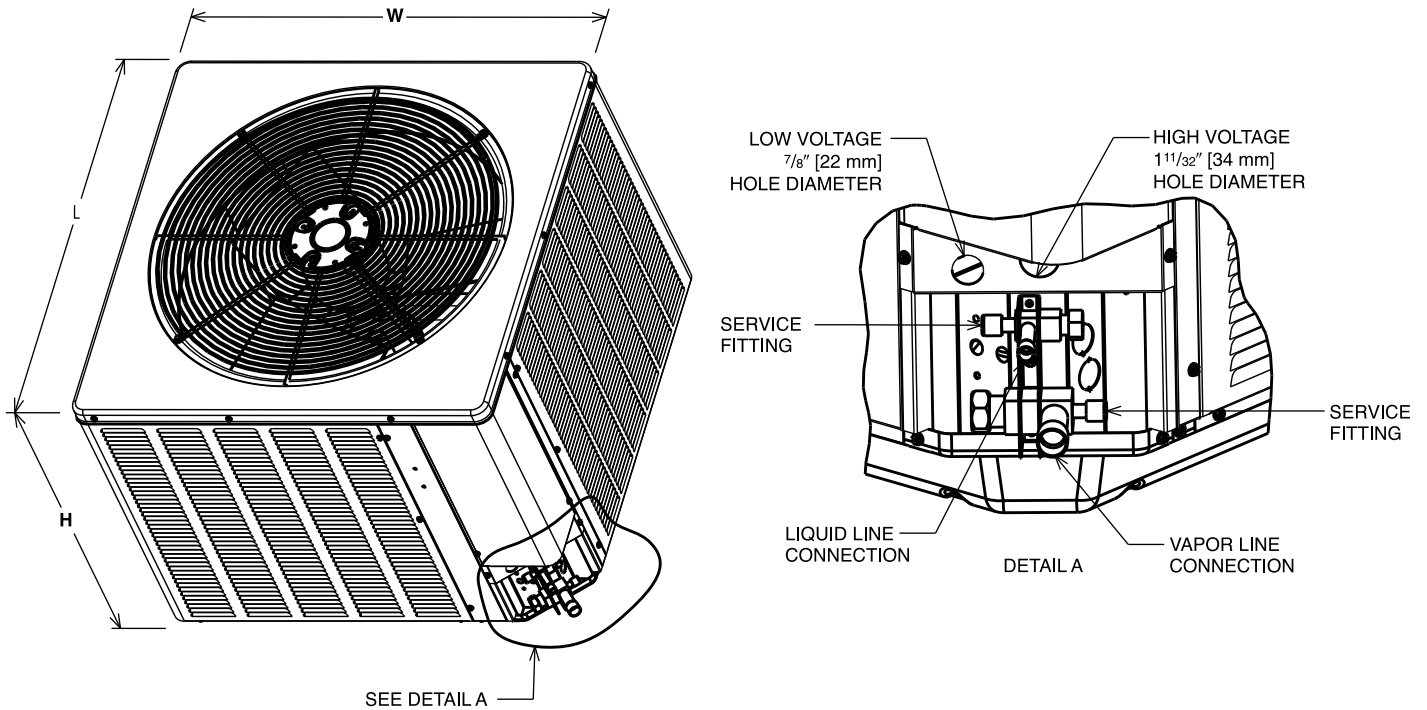
<sup>3</sup>Refer to National Electrical Code manual to determine wire, fuse and disconnect size requirements.

## Weighted Sound Power Level (dBA)

Model	Standard Rating (dBA)
DRAC14A18A	70
DRAC14A24B	68
DRAC14A24C	74
DRAC14A30B	73
DRAC14A36B	71
DRAC14A36C	73
DRAC14A42C	75
DRAC14A48B	75
DRAC14A60A	76

## Unit Dimensions

MODEL NUMBER	OPERATING						SHIPPING					
	H (Height)		L (Length)		W (Width)		H (Height)		L (Length)		W (Width)	
	INCHES	mm	INCHES	mm	INCHES	mm	INCHES	mm	INCHES	mm	INCHES	mm
DRAC14A18A	24.25	615	23.63	600	23.63	600	24.25	615	24.75	628	24.75	628
DRAC14A24B	32.25	819	23.63	600	23.63	600	32.50	825	24.75	628	24.75	628
DRAC14A24C	24.25	615	27.63	701	27.63	701	24.25	615	28.75	730	28.75	730
DRAC14A30B	24.25	615	27.63	701	27.63	701	24.25	615	28.75	730	28.75	730
DRAC14A36B	32.25	819	27.63	701	27.63	701	32.50	825	28.75	730	28.75	730
DRAC14A36C	35.38	899	31.63	803	31.63	803	35.63	905	32.75	832	32.75	832
DRAC14A42C	32.25	819	27.63	701	27.63	701	32.50	825	28.75	730	28.75	730
DRAC14A48B	35.38	899	31.63	803	31.63	803	35.56	903	33.94	862	33.94	862
DRAC14A60A	35.38	899	31.63	803	31.63	803	35.56	903	33.94	862	33.94	862



**NOTE:** Illustrations show the deep drawn basepan.



# Air Conditioner Refrigerant Line Size Information

Unit Size	Allowable Liquid Line Size	Allowable Suction Line Size	Apply Long Line Guidelines if Linear Line Length Exceeds Those Shown Below (Feet)		Equivalent Length (Feet)												
			DRAC13	DRAC14A/B	DRAC14W	Maximum Vertical Rise (Outdoor Unit Below Indoor Unit) * / Capacity Multiplier											
			< 25	26-50	51-75	76-100	101-125	126-150	151-175	176-200	201-225	226-250					
1.5 Ton <b>**SEE NOTE 3</b>	1/4"	5/8"	N/A	N/A	N/A	25/1.00	50/0.99	62/0.98	43/0.98	24/0.97	5/0.97	NR	NR	NR	NR	NR	NR
	5/16"	5/8"	225	188	190	25/1.00	50/0.99	75/0.98	98/0.98	93/0.97	88/0.97	83/0.96	78/0.96	73/0.95	68/0.94	63/0.93	58/0.92
	3/8"	5/8"	150	125	127	25/1.00	50/0.99	75/0.98	100/0.98	100/0.97	100/0.97	100/0.96	100/0.96	100/0.95	100/0.94	100/0.93	100/0.92
	1/4"	3/4"	N/A	N/A	N/A	25/1.00	50/1.00	62/0.99	43/0.99	24/0.99	5/0.99	NR	NR	NR	NR	NR	NR
	5/16"	3/4"	225	188	190	25/1.00	50/1.00	75/0.99	98/0.99	93/0.99	88/0.99	83/0.99	78/0.98	73/0.98	68/0.98	63/0.97	58/0.96
	3/8"	3/4"	150	125	127	25/1.00	50/1.00	75/1.00	100/0.99	100/0.99	100/0.99	100/0.99	100/0.99	100/0.98	100/0.98	100/0.98	100/0.98
2 Ton	1/4"	5/8"	N/A	N/A	N/A	25/0.99	50/0.98	21/0.97	NR	NR	NR	NR	NR	NR	NR	NR	NR
	5/16"	5/8"	223	180	180	25/0.99	50/0.98	75/0.97	87/0.96	77/0.95	69/0.94	61/0.93	53/0.92	45/0.91	37/0.90	30/0.89	23/0.88
	3/8"	5/8"	148	120	120	25/0.99	50/0.98	75/0.97	100/0.96	100/0.95	100/0.94	98/0.93	95/0.92	92/0.91	89/0.90	86/0.89	83/0.88
	1/4"	3/4"	N/A	N/A	N/A	25/1.00	50/1.00	21/0.99	NR	NR	NR	NR	NR	NR	NR	NR	NR
	5/16"	3/4"	223	180	180	25/1.00	50/1.00	75/0.99	87/0.99	77/0.98	69/0.98	61/0.98	53/0.97	45/0.97	37/0.96	30/0.95	23/0.94
	3/8"	3/4"	148	120	120	25/1.00	50/1.00	75/0.99	100/0.99	100/0.98	100/0.98	98/0.98	95/0.97	93/0.97	90/0.96	87/0.95	84/0.94
2.5 Ton	5/16"	5/8"	148	148	113	25/0.99	50/0.98	75/0.96	70/0.94	59/0.93	48/0.91	36/0.90	NR	NR	NR	NR	NR
	3/8"	5/8"	98	98	75	25/0.99	50/0.98	75/0.96	100/0.94	98/0.93	94/0.91	90/0.90	NR	NR	NR	NR	NR
	5/16"	3/4"	148	148	113	25/1.00	50/0.99	75/0.99	70/0.98	59/0.98	48/0.97	36/0.96	25/0.96	13/0.95	NR	NR	NR
	3/8"	3/4"	98	98	75	25/1.00	50/0.99	75/0.99	100/0.98	98/0.98	94/0.97	90/0.96	86/0.96	82/0.95	78/0.95	74/0.94	70/0.93
	5/16"	5/8"	N/A	73	73	25/0.99	50/0.97	66/0.94	49/0.92	32/0.90	NR	NR	NR	NR	NR	NR	NR
	3/8"	5/8"	110	48	48	25/0.99	50/0.97	75/0.94	95/0.92	89/0.90	NR	NR	NR	NR	NR	NR	NR
3 Ton	5/16"	3/4"	N/A	73	73	25/1.00	50/0.99	66/0.98	49/0.98	32/0.97	15/0.96	NR	NR	NR	NR	NR	NR
	3/8"	3/4"	110	48	48	25/1.00	50/0.99	75/0.98	95/0.98	89/0.97	84/0.96	78/0.95	72/0.94	67/0.93	61/0.93	56/0.92	51/0.91
	1/2"	3/4"	55	24	24	25/1.00	50/0.99	75/0.98	100/0.98	100/0.97	100/0.96	100/0.95	100/0.94	100/0.93	100/0.93	100/0.93	100/0.93
	5/16"	7/8"	N/A	73	73	25/1.00	50/1.00	66/1.00	49/0.99	32/0.99	15/0.99	NR	NR	NR	NR	NR	NR
	3/8"	7/8"	110	48	48	25/1.00	50/1.00	75/1.00	95/0.99	89/0.99	84/0.99	78/0.98	72/0.98	67/0.98	61/0.97	56/0.96	51/0.95
	1/2"	7/8"	55	24	24	25/1.00	50/1.00	75/1.00	100/0.99	100/0.99	100/0.99	100/0.99	100/0.98	100/0.98	100/0.98	100/0.98	100/0.97
3.5 Ton	3/8"	3/4"	148	100	100	25/0.99	50/0.98	75/0.97	88/0.96	80/0.95	72/0.94	65/0.92	57/0.91	49/0.90	NR	NR	NR
	1/2"	3/4"	74	50	50	25/0.99	50/0.98	75/0.97	100/0.96	100/0.95	100/0.94	100/0.92	100/0.91	100/0.90	NR	NR	
	3/8"	7/8"	148	100	100	25/1.00	50/1.00	75/0.99	88/0.99	80/0.99	72/0.98	65/0.97	57/0.97	49/0.96	42/0.96	35/0.95	28/0.94
	1/2"	7/8"	74	50	50	25/1.00	50/1.00	75/0.99	100/0.99	100/0.99	100/0.99	100/0.98	100/0.97	100/0.96	100/0.96	100/0.96	100/0.96
	3/8"	3/4"	82	82	0	25/0.99	50/0.98	75/0.96	77/0.95	67/0.93	57/0.92	46/0.91	NR	NR	NR	NR	NR
	1/2"	3/4"	41	41	0	25/0.99	50/0.98	75/0.96	100/0.95	100/0.93	100/0.92	100/0.91	NR	NR	NR	NR	NR
4 Ton	3/8"	7/8"	82	82	0	25/1.00	50/0.99	75/0.99	77/0.98	67/0.97	57/0.97	46/0.96	36/0.96	26/0.95	15/0.95	NR	NR
	1/2"	7/8"	41	41	0	25/1.00	50/0.99	75/0.99	100/0.98	100/0.97	100/0.97	100/0.96	100/0.96	99/0.95	97/0.95	95/0.94	93/0.93
	3/8"	3/4"	0	0	0	25/0.99	50/0.97	75/0.94	61/0.92	46/0.90	NR	NR	NR	NR	NR	NR	NR
	1/2"	3/4"	0	0	0	25/0.99	50/0.97	75/0.94	100/0.92	100/0.90	NR	NR	NR	NR	NR	NR	NR
	3/8"	7/8"	0	0	0	25/1.00	50/0.99	75/0.98	61/0.97	46/0.96	32/0.95	18/0.94	NR	NR	NR	NR	NR
	1/2"	7/8"	0	0	0	25/1.00	50/0.99	75/0.98	100/0.97	100/0.96	100/0.95	97/0.94	95/0.94	92/0.93	89/0.92	86/0.91	83/0.90
5 Ton	3/8"	1-1/8"	0	0	0	25/1.01	50/1.01	75/1.00	61/1.00	46/0.99	32/0.99	18/0.99	NR	NR	NR	NR	NR
	1/2"	1-1/8"	0	0	0	25/1.01	50/1.01	75/1.00	100/1.00	100/0.99	100/0.99	97/0.99	95/0.99	92/0.99	89/0.98	86/0.97	83/0.96
	3/8"	3/4"	0	0	0	25/0.99	50/0.97	75/0.94	61/0.92	46/0.90	NR	NR	NR	NR	NR	NR	NR
	1/2"	3/4"	0	0	0	25/0.99	50/0.97	75/0.94	100/0.92	100/0.90	NR	NR	NR	NR	NR	NR	NR
	3/8"	7/8"	0	0	0	25/1.00	50/0.99	75/0.98	61/0.97	46/0.96	32/0.95	18/0.94	NR	NR	NR	NR	NR
	1/2"	7/8"	0	0	0	25/1.00	50/0.99	75/0.98	100/0.97	100/0.96	100/0.95	97/0.94	95/0.94	92/0.93	89/0.92	86/0.91	83/0.90

- NOTES:**
- Do not exceed 200 ft linear line length.
  - \*Do not exceed 100 ft vertical separation if outdoor unit is above indoor unit.
  - \*\*3/4" suction line should only be used for 1.5 ton systems if outdoor unit is below or at same level as indoor to assure proper oil return.

- Always use the smallest liquid line allowable to minimize refrigerant charge.
- Applications shaded in light gray indicate capacity multipliers between 0.90 and 0.96 which are not recommended, but are allowed.
- Applications shaded in dark gray are not recommended due to excessive liquid or suction pressure drop.



## Air Conditioner Refrigerant Line Size Information

Unit Size		Allowable Liquid Line Size mm [in.]		Allowable Suction Line Size mm [in.]		Apply Long Line Guidelines if Linear Line Length Exceeds Those Shown Below (Meters)		13 - 14 SEER Single-Stage Air-Conditioners										
								Equivalent Length (Meters)										
								DRAC13	DRAC14A/B	DRAC14W	< 8	8-15	16-23	24-30	31-38	39-46	47-53	54-61
			Maximum Vertical Rise (Outdoor Unit Below Indoor Unit) * / Capacity Multiplier															
5.3 KW [1.5 Ton] <b>**SEE NOTE 3</b>	6.35 [1/4]	15.88 [5/8]	N/A	N/A	8/1.00	15/0.99	19/0.98	13/0.98	7/0.97	2/0.97	NR	NR	NR	NR	NR	NR	NR	NR
	7.94 [5/16]	15.88 [5/8]	69	57	8/1.00	15/0.99	23/0.98	30/0.98	28/0.97	27/0.97	25/0.96	22/0.96	24/0.96	22/0.95	21/0.94	21/0.94	21/0.94	21/0.94
	9.53 [3/8]	15.88 [5/8]	46	38	8/1.00	15/0.99	23/0.98	30/0.98	30/0.97	30/0.97	30/0.96	30/0.96	30/0.96	30/0.96	30/0.96	30/0.96	30/0.96	30/0.96
	6.35 [1/4]	19.05 [3/4]**	N/A	N/A	8/1.00	15/1.00	19/0.99	13/0.99	7/0.99	2/0.99	NR	NR	NR	NR	NR	NR	NR	NR
	7.94 [5/16]	19.05 [3/4]**	69	57	8/1.00	15/1.00	23/0.99	30/0.99	28/0.99	27/0.99	25/0.99	22/0.99	24/0.98	22/0.98	21/0.98	21/0.98	21/0.98	21/0.98
7.0 KW [2 Ton]	9.53 [3/8]	19.05 [3/4]**	46	38	8/1.00	15/0.98	6/0.97	NR	NR	NR	NR	NR	NR	NR	NR	NR	NR	NR
	6.35 [1/4]	15.88 [5/8]	N/A	N/A	8/0.99	15/0.98	23/0.97	27/0.96	23/0.95	21/0.94	19/0.93	16/0.92	14/0.91	11/0.90	11/0.90	11/0.90	11/0.90	11/0.90
	7.94 [5/16]	15.88 [5/8]	68	55	8/0.99	15/0.98	23/0.97	30/0.96	30/0.95	30/0.94	30/0.93	29/0.92	28/0.91	27/0.90	27/0.90	27/0.90	27/0.90	27/0.90
	9.53 [3/8]	15.88 [5/8]	45	37	8/0.99	15/0.98	23/0.97	30/0.96	30/0.95	30/0.94	30/0.93	29/0.91	27/0.90	NR	NR	NR	NR	NR
	6.35 [1/4]	19.05 [3/4]	N/A	N/A	8/1.00	15/1.00	6/0.99	NR	NR	NR	NR	NR	NR	NR	NR	NR	NR	NR
8.8 KW [2.5 Ton]	7.94 [5/16]	19.05 [3/4]	68	55	8/1.00	15/1.00	23/0.99	27/0.99	23/0.98	21/0.98	19/0.98	16/0.97	14/0.97	11/0.96	11/0.96	11/0.96	11/0.96	11/0.96
	9.53 [3/8]	19.05 [3/4]	45	37	8/1.00	15/1.00	23/0.99	30/0.99	30/0.98	30/0.98	30/0.98	29/0.97	28/0.97	27/0.96	27/0.96	27/0.96	27/0.96	27/0.96
	7.94 [5/16]	15.88 [5/8]	45	45	8/0.99	15/0.98	23/0.96	21/0.94	18/0.93	15/0.91	11/0.90	NR	NR	NR	NR	NR	NR	NR
	9.53 [3/8]	15.88 [5/8]	30	30	8/0.99	15/0.98	23/0.96	30/0.94	30/0.93	29/0.91	27/0.90	NR	NR	NR	NR	NR	NR	NR
	7.94 [5/16]	19.05 [3/4]	45	45	8/1.00	15/0.99	23/0.99	21/0.98	18/0.98	15/0.97	11/0.96	8/0.96	4/0.95	NR	NR	NR	NR	NR
10.6 KW [3 Ton]	9.53 [3/8]	19.05 [3/4]	30	30	8/1.00	15/0.99	23/0.99	30/0.98	30/0.98	29/0.97	27/0.96	26/0.96	25/0.95	24/0.95	24/0.95	24/0.95	24/0.95	24/0.95
	7.94 [5/16]	22.23 [7/8]	N/A	22	8/0.99	15/1.00	20/1.00	15/0.99	10/0.99	5/0.99	NR	NR	NR	NR	NR	NR	NR	NR
	9.53 [3/8]	22.23 [7/8]	34	15	8/1.00	15/1.00	23/1.00	29/0.99	27/0.99	26/0.99	24/0.98	22/0.98	20/0.98	19/0.97	19/0.97	19/0.97	19/0.97	19/0.97
	12.70 [1/2]	22.23 [7/8]	17	7	8/1.00	15/1.00	23/1.00	30/0.99	30/0.99	30/0.99	30/0.99	30/0.98	30/0.98	30/0.98	30/0.98	30/0.98	30/0.98	30/0.98
	9.53 [3/8]	19.05 [3/4]	45	30	8/0.99	15/0.98	23/0.97	27/0.96	24/0.95	22/0.94	20/0.92	17/0.91	15/0.90	NR	NR	NR	NR	NR
12.3 KW [3.5 Ton]	12.70 [1/2]	19.05 [3/4]	23	15	8/0.99	15/0.98	23/0.97	30/0.96	30/0.95	30/0.94	30/0.92	30/0.91	30/0.90	NR	NR	NR	NR	NR
	9.53 [3/8]	19.05 [3/4]	45	30	8/1.00	15/1.00	23/0.99	27/0.99	24/0.99	22/0.98	20/0.97	17/0.97	15/0.96	13/0.96	13/0.96	13/0.96	13/0.96	13/0.96
	12.70 [1/2]	22.23 [7/8]	23	15	8/1.00	15/1.00	23/0.99	30/0.99	30/0.99	30/0.99	30/0.98	30/0.97	30/0.96	30/0.96	30/0.96	30/0.96	30/0.96	30/0.96
	9.53 [3/8]	19.05 [3/4]	25	25	8/0.99	15/0.98	23/0.96	24/0.95	20/0.93	17/0.92	14/0.91	NR	NR	NR	NR	NR	NR	NR
	12.70 [1/2]	19.05 [3/4]	12	12	8/0.99	15/0.98	23/0.96	30/0.95	30/0.93	30/0.92	30/0.91	NR	NR	NR	NR	NR	NR	NR
14.1 KW [4 Ton]	9.53 [3/8]	22.23 [7/8]	25	25	8/1.00	15/0.99	23/0.99	24/0.98	20/0.97	17/0.97	14/0.96	11/0.96	8/0.95	5/0.95	5/0.95	5/0.95	5/0.95	5/0.95
	12.70 [1/2]	22.23 [7/8]	12	12	8/1.00	15/0.99	23/0.99	30/0.98	30/0.97	30/0.97	30/0.97	30/0.96	30/0.96	30/0.95	30/0.95	30/0.95	30/0.95	30/0.95
	9.53 [3/8]	19.05 [3/4]	0	0	8/0.99	15/0.97	23/0.94	19/0.92	14/0.90	NR	NR	NR	NR	NR	NR	NR	NR	NR
	12.70 [1/2]	19.05 [3/4]	0	0	8/0.99	15/0.97	23/0.94	30/0.92	30/0.90	NR	NR	NR	NR	NR	NR	NR	NR	NR
	9.53 [3/8]	22.23 [7/8]	0	0	8/1.00	15/0.99	23/0.98	19/0.97	14/0.96	10/0.95	5/0.94	NR	NR	NR	NR	NR	NR	NR
17.6 KW [5 Ton]	12.70 [1/2]	22.23 [7/8]	0	0	8/1.00	15/0.99	23/0.98	30/0.97	30/0.97	30/0.96	30/0.95	30/0.94	29/0.94	28/0.93	27/0.92	27/0.92	27/0.92	27/0.92
	9.53 [3/8]	28.58 [1-1/8]	0	0	8/1.01	15/1.01	23/1.00	19/1.00	14/0.99	10/0.99	5/0.99	NR	NR	NR	NR	NR	NR	NR
	12.70 [1/2]	28.58 [1-1/8]	0	0	8/1.01	15/1.01	23/1.00	30/1.00	30/1.00	30/0.99	30/0.99	29/0.99	28/0.99	27/0.99	27/0.99	27/0.99	27/0.99	27/0.99
	9.53 [3/8]	19.05 [3/4]	0	0	8/0.99	15/0.97	23/0.94	19/0.92	14/0.90	NR	NR	NR	NR	NR	NR	NR	NR	NR
	12.70 [1/2]	19.05 [3/4]	0	0	8/0.99	15/0.97	23/0.94	30/0.92	30/0.90	NR	NR	NR	NR	NR	NR	NR	NR	NR

**NOTES:**

- Do not exceed 61 meters linear line length.
- Do not exceed 30 meters vertical separation if outdoor unit is above indoor unit.
- \*\*19.05 mm [3/4 in.] suction line should only be used for 1.5 ton systems if outdoor unit is below or at same level as indoor to assure proper oil return.
- Always use the smallest liquid line allowable to minimize refrigerant charge.
- Applications shaded in light gray indicate capacity multipliers between 0.90 and 0.96 which are not recommended, but are allowed.
- Applications shaded in dark gray are not recommended due to excessive liquid or suction pressure drop.

**[ ] Designates Metric Conversions**



## Performance Data @ AHRI Standard Conditions—Cooling

Designated Tested Combination (DTC)							
Outdoor Unit	Indoor Coil or Air Handler	Total Capacity BTU/H [kW]	Net Sensible BTU/H [kW]	Net Latent BTU/H [kW]	SEER	EER	Indoor CFM [L/s]
DRAC14A18AJ1NA	DRAEF2617STA+ RXMD-C04	17100 [5.0]	13300 [3.9]	4700 [1.4]	14.00	11.50	600 [283.2]
DRAC14A30BJ1NA	DRAEF3617STA	28600 [8.4]	21700 [6.4]	6900 [2.0]	14.00	11.50	1000 [471.9]
DRAC14A36BJ1NA	DRAEF3621MTA	34200 [10.0]	24500 [7.2]	9700 [2.8]	14.00	11.50	1100 [519.1]
DRAC14A36CJ1NA	DRAEF3621STA + RXMD-C04	34200 [10.0]	24500 [7.2]	9700 [1.8]	14.00	11.00	1125 [530.9]
DRAC14A42CJ1NA	DRAEF4821MTA + RXMD-C04	40500 [11.9]	31000 [9.1]	9500 [2.8]	14.00	11.50	1350 [637.1]
DRAC14A48BJ1NA	DRAEF4821STA + RXMD-C04	46000 [13.5]	34800 [10.2]	11200 [3.3]	14.00	11.50	1500 [707.9]

**NOTE:** Additional ratings and system match ups and downloadable ratings certificates can be accessed from the AHRI website: [www.ahridirectory.org](http://www.ahridirectory.org)

[ ] Designates Metric Conversions





**GENERAL TERMS OF LIMITED WARRANTY\***

Durastar will furnish a replacement for any part of this product which fails in normal use and service within the applicable period stated, in accordance with the terms of the limited warranty.

Parts.....Five (5) Years

**\*For complete details of the Limited and Conditional Warranties, including applicable terms and conditions, contact your local contractor or the Manufacturer for a copy of the product warranty certificate.**





---

**Before proceeding with installation, refer to installation instructions packaged with each model, as well as complying with all Federal, State, Provincial, and Local codes, regulations, and practices.**



---

*"In keeping with its policy of continuous progress and product improvement, Durastar reserves the right to make changes without notice."*