

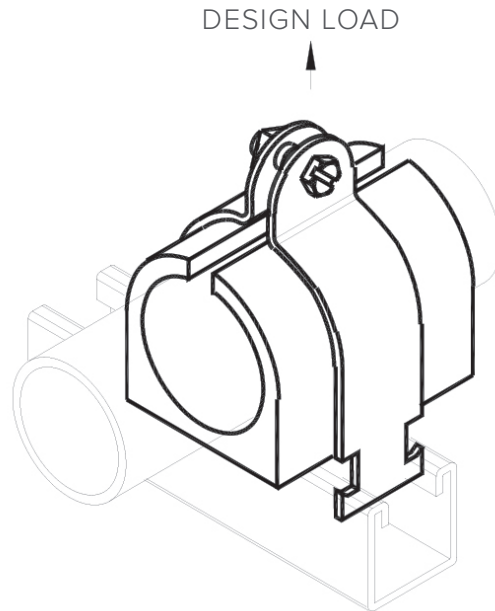
FIGURE 7815 STRUT CLAMPS



CUSHIONED PIPE STRUT CLAMP

FEATURES

- Material: thermoplastic elastomer
- Temperature range: -65°F to 275°F
- Hardness shore "A" (per ASTM D-792)
- Dielectric strength: 670 volts/mil



REFERENCE CHART

| Item # | Pipe Size | | O.D. | | Design Load | |
|--------------|-----------|--------|-------|-------|-------------|------|
| | In. | Metric | In. | mm | Lbs. | kN |
| FNW7815Y0050 | 1/2 | 15 | 0.840 | 21.3 | 330 | 1.48 |
| FNW7815Y0075 | 3/4 | 20 | 1.050 | 26.7 | 330 | 1.48 |
| FNW7815Y0100 | 1 | 25 | 1.315 | 33.4 | 330 | 1.48 |
| FNW7815Y0125 | 1-1/4 | 32 | 1.660 | 42.2 | 730 | 3.26 |
| FNW7815Y0150 | 1-1/2 | 40 | 1.900 | 48.3 | 730 | 3.26 |
| FNW7815Y0200 | 2 | 50 | 2.375 | 60.3 | 730 | 3.26 |
| FNW7815Y0250 | 2-1/2 | 65 | 2.875 | 73.0 | 730 | 3.26 |
| FNW7815Y0300 | 3 | 80 | 3.500 | 88.9 | 1200 | 5.34 |
| FNW7815Y0400 | 4 | 100 | 4.500 | 114.3 | 1200 | 5.34 |