

# Eclipse #88-SS Stainless Steel Sampling Station



- Designed for use in freezing climates
- All surgical stainless steel waterway
- Lockable cast-aluminum enclosure
- Unthreaded 7/16" blow-off globe valve
- No drain to prevent cross-contamination
- 1/8" globe valve evacuation petcock to remove excess water in freezing seasons (hand pump sold separately)
- Vinyl outlet caps to keep contaminants out and keep waterway clean
- Easily serviced from above ground-no digging!
- Optional 3' pedestal or casted door logo
- 3/4" FIP inlet, designate depth of bury

Lead-Free  
Stainless  
Steel



Kupferle Product Videos  
[www.youtube.com/kupferle1857](http://www.youtube.com/kupferle1857)



Meets the Requirements of  
NSF/ANSI 372



Optional  
Pedestal



Required Evacuation  
Hand Pump



Optional Casted  
Door Logo

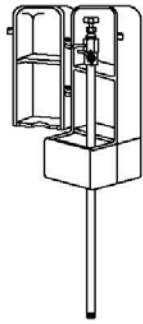
**ECLIPSE™**



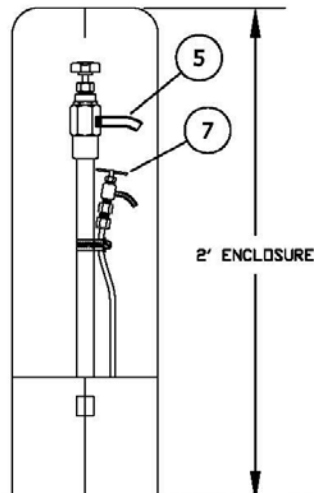
See Product Video at:  
[www.hydrants.com](http://www.hydrants.com)



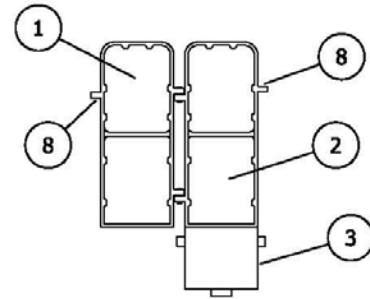
# #88-SS SAMPLING STATION SPEC SHEET



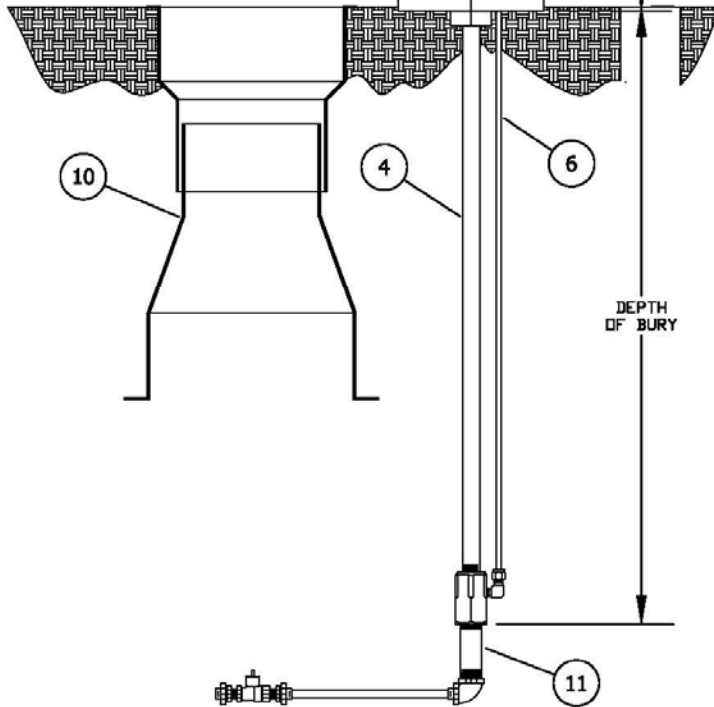
**1 3D VIEW**  
Scale: Not To Scale



2' ENCLOSURE



**2 ENCLOSURE OPEN VIEW**  
Scale: 3/4"=1'-0"



SAMPLING STATION SHALL BE \_\_\_\_\_' BURY, WITH A 3/4" FIP INLET, AND 7/16" UNTHREADED BLOW OFF AND SAMPLING BIBB.

STATION SHALL BE ENCLOSED IN A LOCKABLE, NON-REMOVABLE ALUMINUM BOX WITH HINGED OPENINGS.

WHEN OPEN, THE STATION SHALL REQUIRE NO KEY FOR OPERATION, AND ALL WATER FLOW SHALL PASS THRU AN ALL STAINLESS STEEL WATERWAY.

ALL WORKING PARTS SHALL BE OF STAINLESS STEEL AND SERVICABLE FROM ABOVE GROUND WITH NO DIGGING OR REPLACEMENT NEEDED.

A STAINLESS STEEL PET COCK WILL BE LOCATED BELOW THE SAMPLING BIBB TO ALLOW PUMPING OF ANY WATER REMAINING INSIDE THE STATION TO INSURE NON-FREEZING.

THE STATION SHALL BE MODEL #88-SS AS MANUFACTURED BY THE KUPFERLE FOUNDRY, ST. LOUIS MO. 63102 OR APPROVED EQUAL.

#88-SS SAMPLING STATION TO BE INSTALLED AT THE FOLLOWING LOCATIONS:

\_\_\_\_\_

\_\_\_\_\_

\_\_\_\_\_

ITEM	ITEM / DESCRIPTION	NOTES
1	88 FRONT DOOR ( COVER A )	
2	88 REAR DOOR ( COVER B )	
3	88 BASE	2 PIECES
4	1/2" S.S. WATERWAY	
5	BLOW OFF & SAMPLING BIBB	
6	1/4" S.S. TUBING	
7	PET COCK	
8	LOCKING HOLE	
9	NOT USED	
10	VALVE BOX	BY OTHERS
11	3/4" S.S. NIPPLE	BY OTHERS

DD/MM/YY	ISSUED FOR REFERENCE
DATE	STATUS / REVISION

THIS DRAWING IS THE PROPERTY OF THE KUPFERLE FOUNDRY COMPANY. IT IS NOT TO BE USED OR DUPLICATED WITHOUT PERMISSION OF THE OWNER.

DRAWN	DCL
APPROVED	DCL
DATE	9/3/13
SCALE	1-1/2"=1'

Since 1857

**KUPFERLE FOUNDRY COMPANY**

2511 NORTH 9TH STREET, ST. LOUIS, MO 63102  
314-231-8738 800-231-3990 FAX 314-231-2820  
<http://www.hydrants.com>

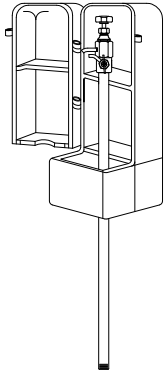
DATE	STATUS / REVISION	#88-SS SAMPLING STATION	SHEET 1 OF 1
------	-------------------	-------------------------	--------------



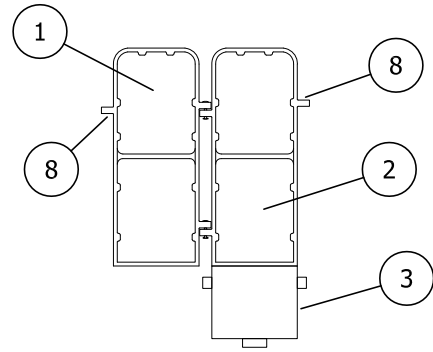
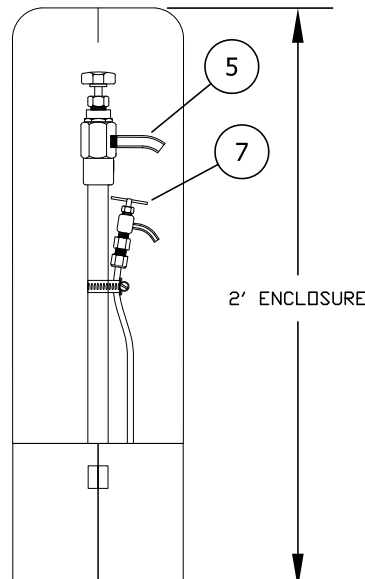
2511 North 9<sup>th</sup> St.  
St. Louis, MO 63102  
800-231-3990  
[www.hydrants.com](http://www.hydrants.com)

**Distributed by:**

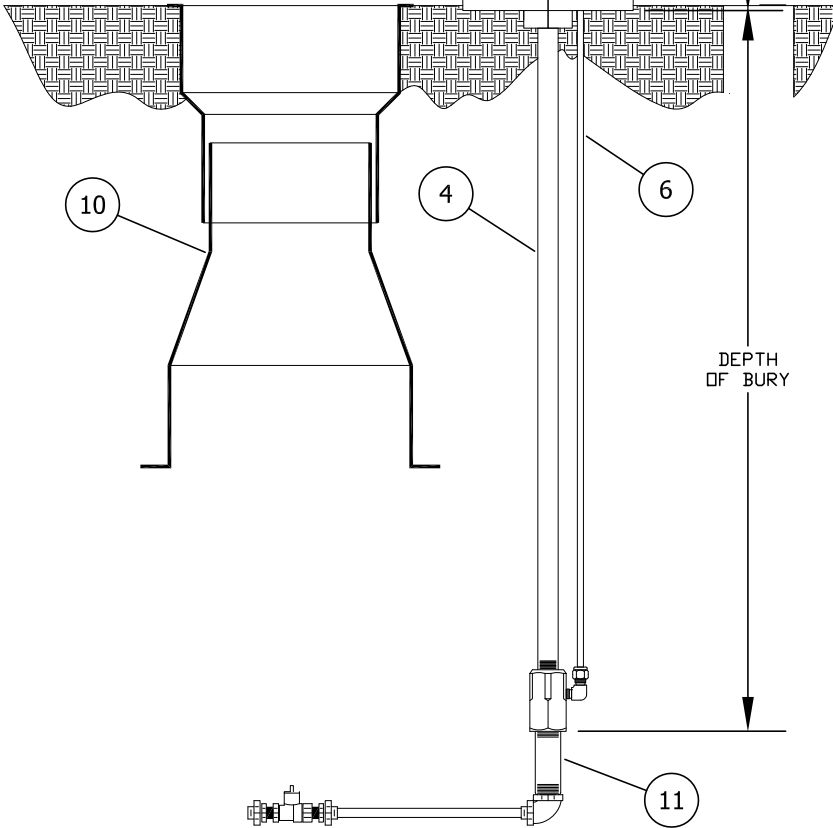
# #88-SS SAMPLING STATION SPEC SHEET



**1 3D VIEW**  
Scale: Not To Scale



**2 ENCLOSURE OPEN VIEW**  
Scale: 3/4"=1'-0"



SAMPLING STATION SHALL BE \_\_\_\_\_' BURY, WITH A 3/4" FIP INLET, AND 7/16" UNTHREADED BLOW OFF AND SAMPLING BIBB.

STATION SHALL BE ENCLOSED IN A LOCKABLE, NON-REMOVABLE ALUMINUM BOX WITH HINGED OPENINGS.

WHEN OPEN, THE STATION SHALL REQUIRE NO KEY FOR OPERATION, AND ALL WATER FLOW SHALL PASS THRU AN ALL STAINLESS STEEL WATERWAY.

ALL WORKING PARTS SHALL BE OF STAINLESS STEEL AND SERVICABLE FROM ABOVE GROUND WITH NO DIGGING OR REPLACEMENT NEEDED.

A STAINLESS STEEL PET COCK WILL BE LOCATED BELOW THE SAMPLING BIBB TO ALLOW PUMPING OF ANY WATER REMAINING INSIDE THE STATION TO INSURE NON-FREEZING.

THE STATION SHALL BE MODEL #88-SS AS MANUFACTURED BY THE KUPFERLE FOUNDRY, ST. LOUIS MO. 63102 OR APPROVED EQUAL.

#88-SS SAMPLING STATION TO BE INSTALLED AT THE FOLLOWING LOCATIONS:

\_\_\_\_\_

\_\_\_\_\_

\_\_\_\_\_

ITEM	ITEM / DESCRIPTION	NOTES
1	88 FRONT DOOR ( COVER A )	
2	88 REAR DOOR ( COVER B )	
3	88 BASE	2 PIECES
4	1/2" S.S. WATERWAY	
5	BLOW OFF & SAMPLING BIBB	
6	1/4" S.S. TUBING	
7	PET COCK	
8	LOCKING HOLE	
9	NOT USED	
10	VALVE BOX	BY OTHERS
11	3/4" S.S. NIPPLE	BY OTHERS

DRAWN  
DCL

APPROVED  
DCL

DATE  
9/3/13

SCALE  
1-1/2"=1'

DD/MM/YY	ISSUED FOR REFERENCE
DATE	STATUS / REVISION

THIS DRAWING IS THE PROPERTY OF THE KUPFERLE FOUNDRY COMPANY. IT IS NOT TO BE USED OR DUPLICATED WITHOUT PERMISSION OF THE OWNER.

#88-SS SAMPLING STATION

SHEET 1 OF 1

Since 1857

**KUPFERLE FOUNDRY COMPANY**

2511 NORTH 9TH STREET, ST. LOUIS, MO 63102  
314-231-8738 800-231-3990 FAX 314-231-2820  
<http://www.hydrants.com>